

HC-STA-D07-BWSCM-PL-BK - Housing



1419278

<https://www.phoenixcontact.com/us/products/1419278>

Please be informed that the data shown in this PDF document is generated from our online catalog. Please find the complete data in the user documentation. Our general terms of use for downloads are valid.



Panel mounting base D7, with single locking latch, material: PA, protective cover material: PA, height: 25.5 mm, cable gland: none, protective cover: yes, Standard, for pin inserts

Commercial data

Item number	1419278
Packing unit	1 pc
Minimum order quantity	1 pc
Sales key	BF56
Product key	AF7APD
GTIN	4055626160283
Weight per piece (including packing)	20 g
Weight per piece (excluding packing)	19.8 g
Customs tariff number	85389099
Country of origin	CN

1419278

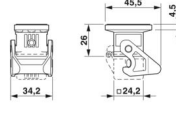
<https://www.phoenixcontact.com/us/products/1419278>

Technical data

Product properties

Product type	Housing with locking latch
Housing type	Panel mounting base
Product family	HC-STA-D07
Application	Standard
Type	D7
Protective cover	yes
Shielded	no
Pg screw connection	none

Dimensions

Dimensional drawing	
Width	34.2 mm
Height	25.5 mm
Length	24.2 mm
Hole diameter	3.2 mm

Installation dimensions

Width of the assembly cutout	21 mm
Length of the assembly cutout	21 mm

Material specifications

Flammability rating according to UL 94	V0 (Housing)
	V0 (Interlock)
	V0 (Protective cover)
Seal material	NBR
Housing material	PA
Material, protective cover	PA
Locking latch material	PA

Mechanical properties

Mechanical data

Locking type	Latch
--------------	-------

Connection data

Tightening torque	0.5 Nm (For M3 mounting screws on the panel-mount base)
-------------------	---

Environmental and real-life conditions

HC-STA-D07-BWSCM-PL-BK - Housing



1419278

<https://www.phoenixcontact.com/us/products/1419278>

Ambient conditions

Degree of protection	IP66 (when plugged in or with locked protective cover)
Enclosure rating (NEMA)	4 (UL)
	4X (UL)
Impact strength	IK06
Ambient temperature (operation)	-20 °C ... 100 °C

HC-STA-D07-BWSCM-PL-BK - Housing

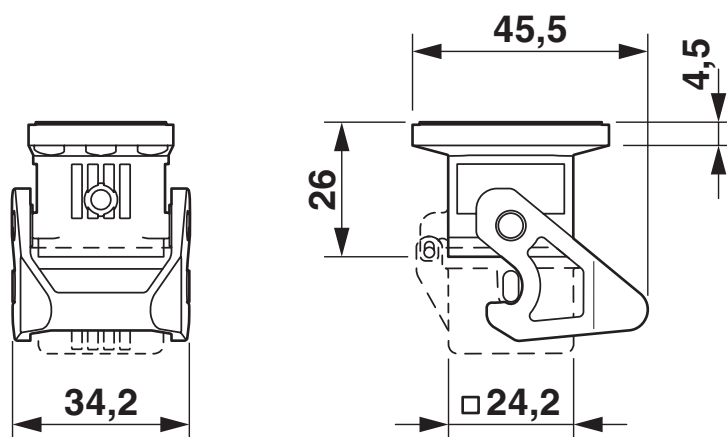
1419278

<https://www.phoenixcontact.com/us/products/1419278>



Drawings

Dimensional drawing



Dimensional drawing

HC-STA-D07-BWSCM-PL-BK - Housing



1419278

<https://www.phoenixcontact.com/us/products/1419278>

Dimensional drawing



- HC-A03
- HC-A04
- HC-D07
- HC-D08
- HC-Q05
- HC-Q07
- HC-Q12



- HC-Q02
- HC-Q03
- HC-Q04

Mounting cutout

HC-STA-D07-BWSCM-PL-BK - Housing



1419278

<https://www.phoenixcontact.com/us/products/1419278>

Approvals

🔗 To download certificates, visit the product detail page: <https://www.phoenixcontact.com/us/products/1419278>

DNV

Approval ID: TAE000037S



cULus Recognized

Approval ID: E468743

1419278

<https://www.phoenixcontact.com/us/products/1419278>

Classifications

ECLASS

ECLASS-13.0	27440202
ECLASS-15.0	27440202

ETIM

ETIM 10.0	EC000437
-----------	----------

UNSPSC

UNSPSC 21.0	31261500
-------------	----------

1419278

<https://www.phoenixcontact.com/us/products/1419278>

Environmental product compliance

EU RoHS

Fulfills EU RoHS substance requirements	Yes, No exemptions
---	--------------------

China RoHS

Environment friendly use period (EFUP)	EFUP-E
	No hazardous substances above the limits

EU REACH SVHC

REACH candidate substance (CAS No.)	No substance above 0.1 wt%
-------------------------------------	----------------------------

Phoenix Contact 2026 © - all rights reserved
<https://www.phoenixcontact.com>

Phoenix Contact USA
586 Fulling Mill Road
Middletown, PA 17057, United States
(+717) 944-1300
info@phoenixcon.com