

HC-STA-D07-CHPWS-1TGM20-PL-BK - Housing



1419269

<https://www.phoenixcontact.com/us/products/1419269>

Please be informed that the data shown in this PDF document is generated from our online catalog. Please find the complete data in the user documentation. Our general terms of use for downloads are valid.

Feed-through header D7, with single locking latch, material: PA, cable outlets: 1, straight, 1x M20, height: 76 mm, cable gland: with, Standard



Commercial data

Item number	1419269
Packing unit	1 pc
Minimum order quantity	1 pc
Sales key	BF56
Product key	AF7APD
GTIN	4055626160207
Weight per piece (including packing)	36.1 g
Weight per piece (excluding packing)	35.9 g
Customs tariff number	85389099
Country of origin	CN

HC-STA-D07-CHPWS-1TGM20-PL-BK - Housing



1419269

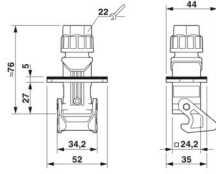
<https://www.phoenixcontact.com/us/products/1419269>

Technical data

Product properties

Product type	Housing with locking latch
Housing type	Feed-through header
Product family	HC-STA-D07
Series	HC-D
Application	Standard
Type	D7
No. of cable outlets	1
Type of the screw connection	1x M20
Shielded	no
Cable outlet	straight
Pg screw connection	with

Dimensions

Dimensional drawing	
Width	52 mm
Height	76 mm
Length	24.2 mm
Drill hole distance, horizontal	44 mm
Hole diameter	3.2 mm

Installation dimensions

Width of the assembly cutout	26.5 mm
Length of the assembly cutout	26.5 mm

Material specifications

Flammability rating according to UL 94	V0 (Housing) V0 (Interlock)
Seal material	NBR, conductive
Housing material	PA
Locking latch material	PA

Mechanical properties

Mechanical data

Type of the screw connection	1x M20
Locking type	Latch

HC-STA-D07-CHPWS-1TGM20-PL-BK - Housing



1419269

<https://www.phoenixcontact.com/us/products/1419269>

Cable/line

External cable diameter	4 mm ... 10 mm
-------------------------	----------------

Connection data

External cable diameter	4 mm ... 10 mm
Tightening torque	5 Nm (Cap nut)

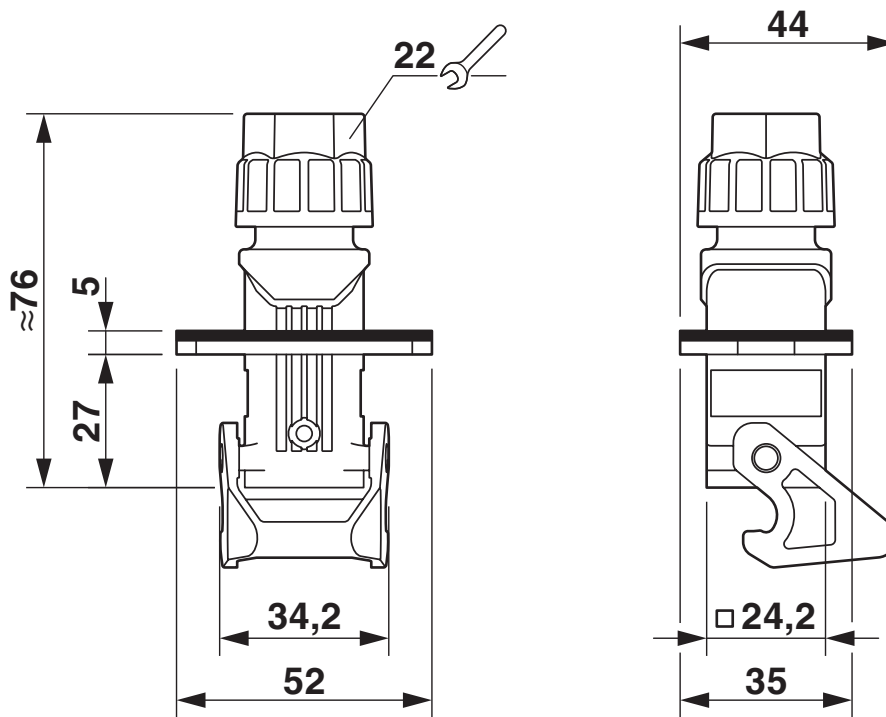
Environmental and real-life conditions

Ambient conditions

Degree of protection	IP66
Enclosure rating (NEMA)	4 (UL)
	4X (UL)
Impact strength	IK06
Ambient temperature (operation)	-40 °C ... 125 °C

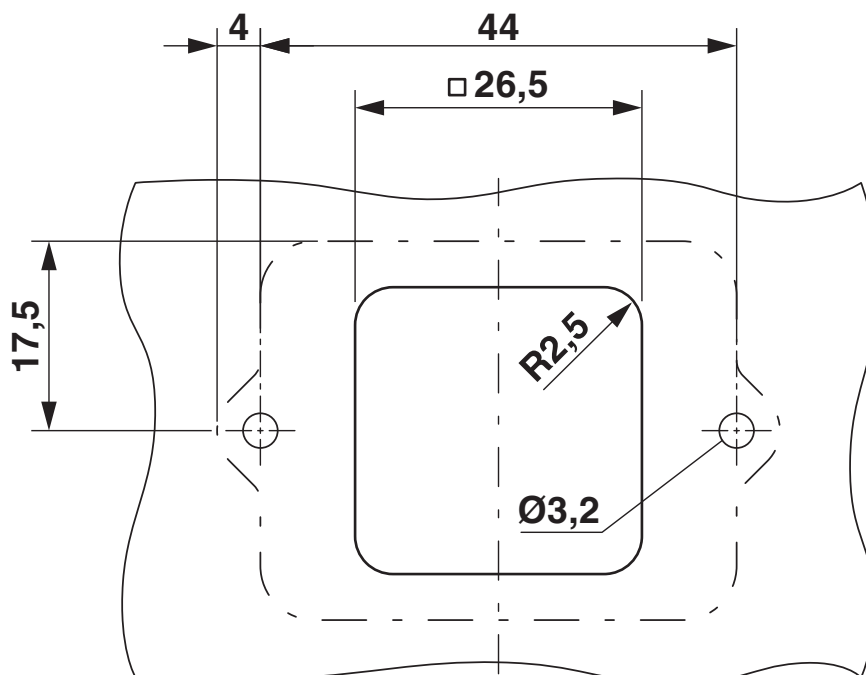
Drawings

Dimensional drawing



Dimensional drawing

Dimensional drawing



Mounting cutout

1419269

<https://www.phoenixcontact.com/us/products/1419269>

Approvals

🔗 To download certificates, visit the product detail page: <https://www.phoenixcontact.com/us/products/1419269>

DNV

Approval ID: TAE000037S



cULus Recognized

Approval ID: E468743

1419269

<https://www.phoenixcontact.com/us/products/1419269>

Classifications

ECLASS

ECLASS-13.0	27440202
ECLASS-15.0	27440202

ETIM

ETIM 10.0	EC000437
-----------	----------

UNSPSC

UNSPSC 21.0	31261500
-------------	----------

1419269

<https://www.phoenixcontact.com/us/products/1419269>

Environmental product compliance

EU RoHS

Fulfills EU RoHS substance requirements	Yes, No exemptions
---	--------------------

China RoHS

Environment friendly use period (EFUP)	EFUP-E
	No hazardous substances above the limits

EU REACH SVHC

REACH candidate substance (CAS No.)	No substance above 0.1 wt%
-------------------------------------	----------------------------

Phoenix Contact 2026 © - all rights reserved
<https://www.phoenixcontact.com>

Phoenix Contact USA
586 Fulling Mill Road
Middletown, PA 17057, United States
(+717) 944-1300
info@phoenixcon.com