

# HC-STA-D07-CHPWS-1TGM20-EL-AL - Housing



1419242

<https://www.phoenixcontact.com/us/products/1419242>

Please be informed that the data shown in this PDF document is generated from our online catalog. Please find the complete data in the user documentation. Our general terms of use for downloads are valid.



Feed-through header D7, with single locking latch, material: Die-cast aluminum, salt water resistant, cable outlets: 1, straight, 1x M20, height: 60.5 mm, cable gland: none, Standard

## Commercial data

|                                      |               |
|--------------------------------------|---------------|
| Item number                          | 1419242       |
| Packing unit                         | 1 pc          |
| Minimum order quantity               | 1 pc          |
| Sales key                            | BF56          |
| Product key                          | AF7APF        |
| GTIN                                 | 4055626159881 |
| Weight per piece (including packing) | 46.9 g        |
| Weight per piece (excluding packing) | 46.9 g        |
| Customs tariff number                | 85389099      |
| Country of origin                    | CN            |

1419242

<https://www.phoenixcontact.com/us/products/1419242>

## Technical data

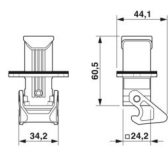
### Notes

|         |   |
|---------|---|
| General | for contact inserts HC-A03, A04, D07, D08, Q02, Q03, Q04, Q05, Q07, Q12 |
|---------|---|

### Product properties

|                              |                            |
|------------------------------|----------------------------|
| Product type                 | Housing with locking latch |
| Housing type                 | Feed-through header        |
| Product family               | HC-STA-D07                 |
| Series                       | HC-D                       |
| Application                  | Standard                   |
| Type                         | D7                         |
| No. of cable outlets         | 1                          |
| Type of the screw connection | 1x M20                     |
| Shielded                     | no                         |
| Cable outlet                 | straight                   |
| Pg screw connection          | none                       |

### Dimensions

|                                 |  |
|---------------------------------|--|
| Dimensional drawing             |  |
| Width                           | 26.5 mm  |
| Height                          | 60.5 mm  |
| Length                          | 26.5 mm  |
| Drill hole distance, horizontal | 44 mm  |
| Hole diameter                   | 3.2 mm   |

### Installation dimensions

|                               |         |
|-------------------------------|---------|
| Width of the assembly cutout  | 26.5 mm |
| Length of the assembly cutout | 26.5 mm |

### Material specifications

|  |   |
|--|---|
| Flammability rating according to UL 94 | V0 (Interlock)                          |
| Seal material                          | NBR, conductive                         |
| Housing material                       | Die-cast aluminum, salt water resistant |
| Housing surface material               | uncoated                                |
| Locking latch material                 | PA                                      |

### Mechanical properties

#### Mechanical data

# HC-STA-D07-CHPWS-1TGM20-EL-AL - Housing



1419242

<https://www.phoenixcontact.com/us/products/1419242>

|                              |        |
|------------------------------|--------|
| Type of the screw connection | 1x M20 |
| Locking type                 | Latch  |

## Connection data

|                   |                   |
|-------------------|-------------------|
| Tightening torque | 0.5 Nm ... 0.8 Nm |
|-------------------|-------------------|

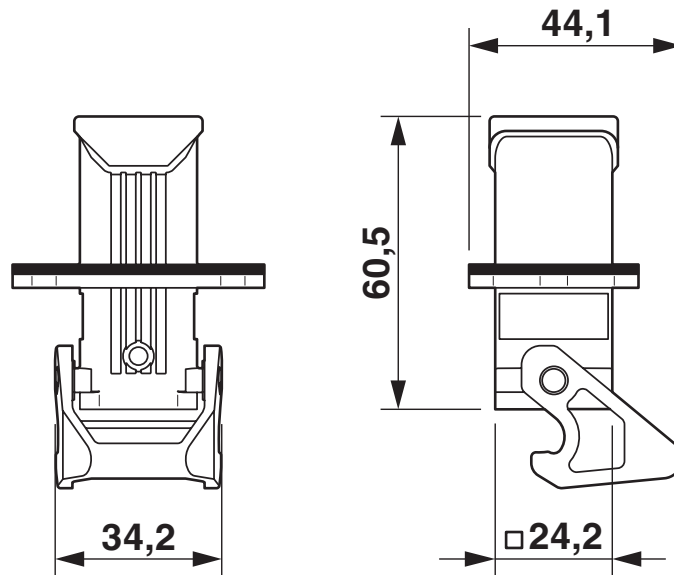
## Environmental and real-life conditions

### Ambient conditions

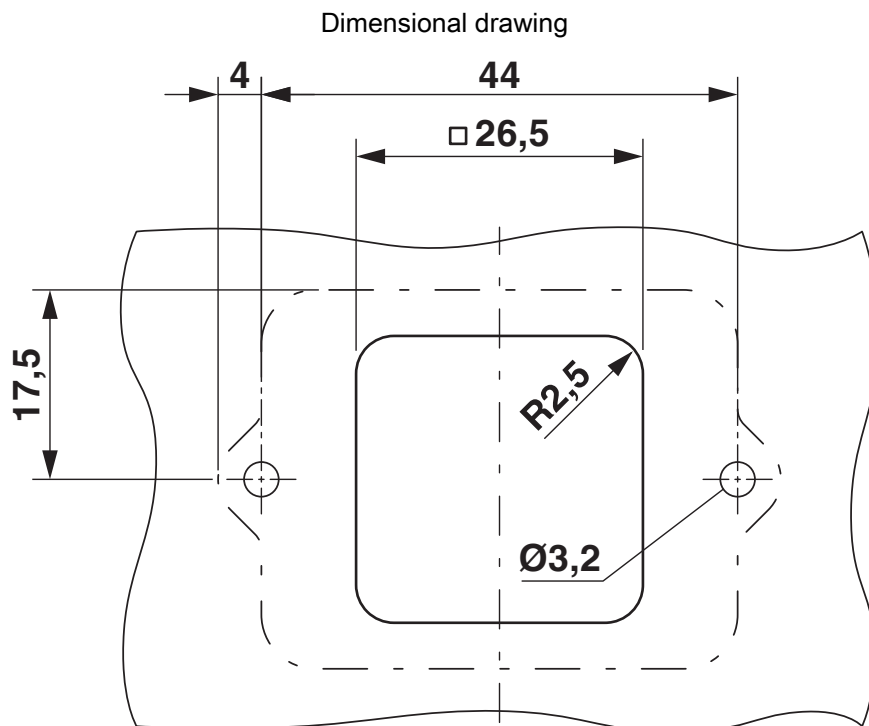
|                                 |                   |
|---------------------------------|-------------------|
| Degree of protection            | IP66              |
|                                 | IP67              |
| Enclosure rating (NEMA)         | 4 (UL 50e)        |
|                                 | 4X (UL 50e)       |
| Impact strength                 | IK06              |
| Ambient temperature (operation) | -40 °C ... 125 °C |

## Drawings

Dimensional drawing



Dimensional drawing



Mounting cutout

1419242

<https://www.phoenixcontact.com/us/products/1419242>

## Approvals

🔗 To download certificates, visit the product detail page: <https://www.phoenixcontact.com/us/products/1419242>

**DNV**

Approval ID: TAE000037S



**cUL Recognized**

Approval ID: E255026



**UL Recognized**

Approval ID: E255026

1419242

<https://www.phoenixcontact.com/us/products/1419242>

## Classifications

### ECLASS

|             |          |
|-------------|----------|
| ECLASS-13.0 | 27440202 |
| ECLASS-15.0 | 27440202 |

### ETIM

|           |          |
|-----------|----------|
| ETIM 10.0 | EC000437 |
|-----------|----------|

### UNSPSC

|             |          |
|-------------|----------|
| UNSPSC 21.0 | 31261500 |
|-------------|----------|

1419242

<https://www.phoenixcontact.com/us/products/1419242>

## Environmental product compliance

### EU RoHS

|   |                    |
|---|--------------------|
| Fulfills EU RoHS substance requirements | Yes, No exemptions |
|---|--------------------|

### China RoHS

|  |  |
|--|--|
| Environment friendly use period (EFUP) | EFUP-E                                   |
|  | No hazardous substances above the limits |

### EU REACH SVHC

|                                     |                            |
|-------------------------------------|----------------------------|
| REACH candidate substance (CAS No.) | No substance above 0.1 wt% |
|-------------------------------------|----------------------------|

Phoenix Contact 2026 © - all rights reserved  
<https://www.phoenixcontact.com>

Phoenix Contact USA  
586 Fulling Mill Road  
Middletown, PA 17057, United States  
(+717) 944-1300  
[info@phoenixcon.com](mailto:info@phoenixcon.com)