

# VS-MSDS-IP20-93K-LI/2,0 - Bus system cable



1419168

<https://www.phoenixcontact.com/us/products/1419168>

Please be informed that the data shown in this PDF document is generated from our online catalog. Please find the complete data in the user documentation. Our general terms of use for downloads are valid.



Bus system cable, Sercos CAT5 (100 Mbps), 4-position, PVC/PVC, signal red RAL 3020, Plug straight M12 SPEEDCON, coding: D / IP67, on Plug straight RJ45 / IP20, cable length: 2 m

## Commercial data

Item number	1419168
Packing unit	1 pc
Minimum order quantity	1 pc
Note	Made to order (non-returnable)
Sales key	BF04
Product key	AF1CJO
GTIN	4046356541138
Weight per piece (including packing)	167 g
Weight per piece (excluding packing)	167 g
Customs tariff number	85444210
Country of origin	PL

1419168

<https://www.phoenixcontact.com/us/products/1419168>

## Technical data

### Product properties

Product type	Data cable preassembled
Application	Standard
Number of positions	4
No. of cable outlets	1
Shielded	yes

### Interfaces

Signal type/category	Sercos CAT5 (IEC 11801), 100 Mbps
----------------------	-----------------------------------

### Electrical properties

Nominal voltage $U_N$	48 V AC
	60 V DC
Transmission medium	Copper
Transmission speed	100 Mbps

### Connector

#### Connection 1

Type	Plug straight M12 SPEEDCON / IP67
Number of positions	4
Locking type	SPEEDCON
Coding type	D (Data)
Handle color	black
Material	CuSn (Contact)
	Ni/Au (Contact surface)
	PA (Contact carrier)
	TPU, hardly inflammable, self-extinguishing (Grip body)
	Zinc die-cast, nickel-plated (Screw connection)
Degree of protection	IP67

#### Connection 2

Type	RJ45
------	------

### Cable/line


Cable length	2 m
--------------	-----

Sercos III [93K]

# VS-MSDS-IP20-93K-LI/2,0 - Bus system cable

1419168

<https://www.phoenixcontact.com/us/products/1419168>

Dimensional drawing	
Cable weight	68 kg/km
UL AWM Style	21694 (60 °C / 600 V)
Number of positions	4
Shielded	yes
Cable type	Sercos III [93K]
Conductor structure	1x4xAWG22/7, SF/TQ
Signal runtime	5.3 ns/m
Conductor structure signal line	7x 0.25 mm
AWG signal line	22
Conductor cross-section	4x 0.34 mm <sup>2</sup>
Wire diameter incl. insulation	approx. 1.55 mm
External cable diameter	6.50 mm ±0.2 mm
Outer sheath, material	PVC
External sheath, color	signal red RAL 3020
Conductor material	Tin-plated Cu litz wires
Material wire insulation	PE
Single wire, color	white, yellow, blue, orange
Thickness, outer sheath	approx. 0.90 mm
Type of pair shielding	Aluminum-lined polyester foil
Overall twist	Star quad
Max. conductor resistance	≤ 120 Ω/km
Insulation resistance	≥ 0.5 GΩ*km
Coupling resistance	≤ 20.00 mΩ/m (at 10 Hz)
Wave impedance	100 Ω ±15 Ω (at 100 MHz)
Nominal voltage, cable	600 V
Test voltage Core/Core	2000 V (50 Hz, 1 min.)
Test voltage Core/Shield	2000.00 V (50 Hz, 1 min.)
Minimum bending radius, fixed installation	3 x D
Minimum bending radius, flexible installation	7 x D
Smallest bending radius, fixed installation	20 mm
Smallest bending radius, movable installation	46 mm
Flame resistance	according to UL 1685 (CSA FT 4)
Resistance to oil	Resistant to oil to a limited extent
Other resistance	UV resistant (according to UL 1581, Section 1200)
Ambient temperature (operation)	-40 °C ... 70 °C (cable, fixed installation) -40 °C ... 70 °C (Cable, flexible installation)

# VS-MSDS-IP20-93K-LI/2,0 - Bus system cable



1419168

<https://www.phoenixcontact.com/us/products/1419168>

Ambient temperature (installation)	-20 °C ... 60 °C
------------------------------------	------------------

## Environmental and real-life conditions

### Ambient conditions

Degree of protection	IP65 (M12 connector)
	IP20 (RJ45 connector)
Ambient temperature (operation)	-10 °C ... 60 °C (cable, fixed installation)
	-5 °C ... 50 °C (Cable, flexible installation)

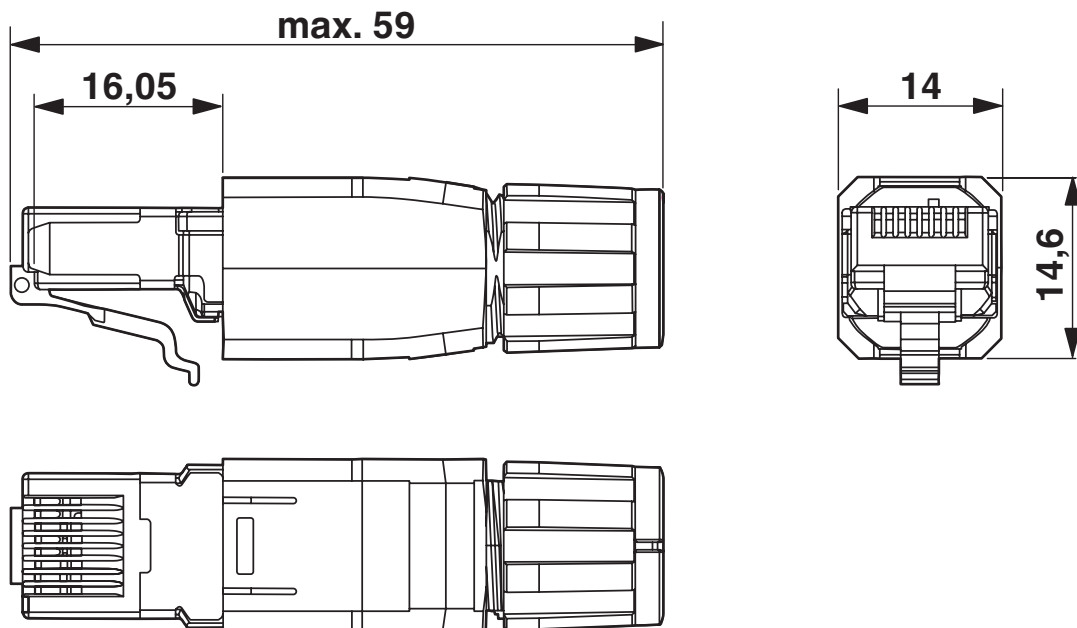
Drawings

Dimensional drawing



Plug, M12 x 1, straight, shielded

Dimensional drawing



RJ45 connector, IP20

1419168

<https://www.phoenixcontact.com/us/products/1419168>

Schematic diagram



Pin assignment M12 male connector, 4-pos., D-coded, male side

# VS-MSDS-IP20-93K-LI/2,0 - Bus system cable



1419168

<https://www.phoenixcontact.com/us/products/1419168>

## Approvals

To download certificates, visit the product detail page: <https://www.phoenixcontact.com/us/products/1419168>



**EAC-RoHS**

Approval ID: RU D-DE.HB35.B.00387

# VS-MSDS-IP20-93K-LI/2,0 - Bus system cable



1419168

<https://www.phoenixcontact.com/us/products/1419168>

## Classifications

### ECLASS

ECLASS-13.0	27060307
ECLASS-15.0	27060307

### UNSPSC

UNSPSC 21.0	26121600
-------------	----------

# VS-MSDS-IP20-93K-LI/2,0 - Bus system cable



1419168

<https://www.phoenixcontact.com/us/products/1419168>

## Environmental product compliance

### EU RoHS

Fulfills EU RoHS substance requirements	Yes, No exemptions
---	--------------------

### China RoHS

Environment friendly use period (EFUP)	EFUP-E
	No hazardous substances above the limits

### EU REACH SVHC

REACH candidate substance (CAS No.)	2-(2H-benzotriazol-2-yl)-4-(1,1,3,3-tetramethylbutyl)phenol (UV-329)(CAS: 3147-75-9)
SCIP	fe40cc93-b147-4757-b59f-1b1de2a633b7

### EF3.1 Climate Change

CO2e kg	2.39 kg CO2e
---------	--------------

Phoenix Contact 2026 © - all rights reserved  
<https://www.phoenixcontact.com>

Phoenix Contact USA  
586 Fulling Mill Road  
Middletown, PA 17057, United States  
(+717) 944-1300  
[info@phoenixcon.com](mailto:info@phoenixcon.com)