

# CUC-V14-F1PBK-S/R4O:VPE10 - Panel-mount frame



1418873

<https://www.phoenixcontact.com/us/products/1418873>

Please be informed that the data shown in this PDF document is generated from our online catalog. Please find the complete data in the user documentation. Our general terms of use for downloads are valid.



RJ45 panel mounting frame, degree of protection: IP67, for push/pull interlocking, plastic, for PCB connection, for square mounting cutout, with seal, without mounting screws, unit pack: 10 pcs.

## Commercial data

Item number	1418873
Packing unit	10 pc
Minimum order quantity	1 pc
Note	Made to order (non-returnable)
Product key	ABNODC
GTIN	4055626155319
Weight per piece (including packing)	3.73 g
Weight per piece (excluding packing)	3.69 g
Country of origin	DE

1418873

<https://www.phoenixcontact.com/us/products/1418873>

## Technical data

### Product properties

Product type	Panel-mount frame
Application	RJ45 PCB connection
Type	RJ45
Number of positions	8
Connection profile	RJ45

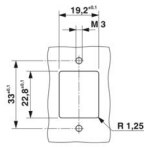
### Insulation characteristics

Degree of pollution	2
---------------------	---

### Electrical properties

Transmission medium	Copper
---------------------	--------

### Dimensions

Dimensional drawing	
Width	22.2 mm
Height	42 mm
Length	18.8 mm

### Material specifications

Color	black
Material	Plastic
Flammability rating according to UL 94	V0
Seal material	NBR
	NBR
Housing material	Plastic
Housing surface material	PA, light gray
Contact surface material	Au/Ni
Contact carrier material	Polyester GF

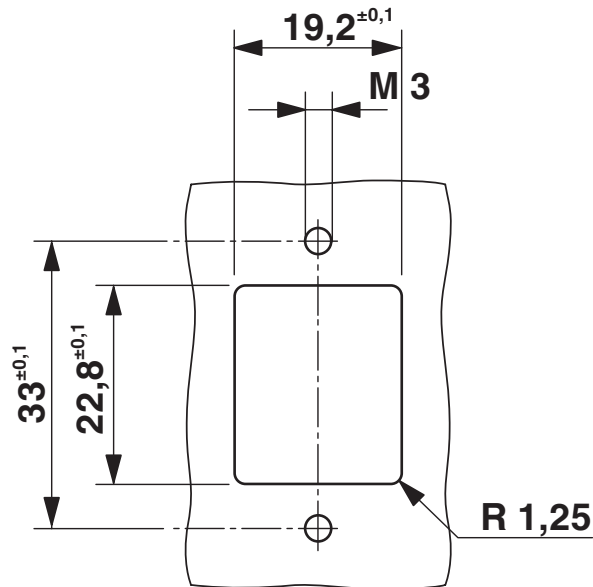
### Environmental and real-life conditions

#### Ambient conditions

Degree of protection	IP65/IP67
Ambient temperature (operation)	-40 °C ... 70 °C

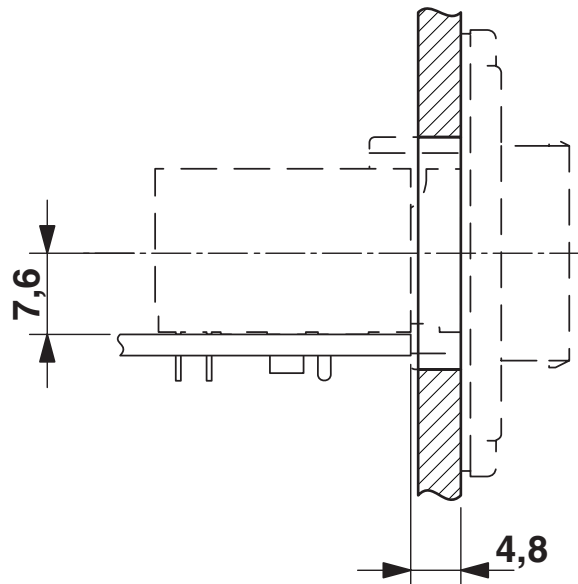
Drawings

Dimensional drawing



Mounting cutout

Dimensional drawing

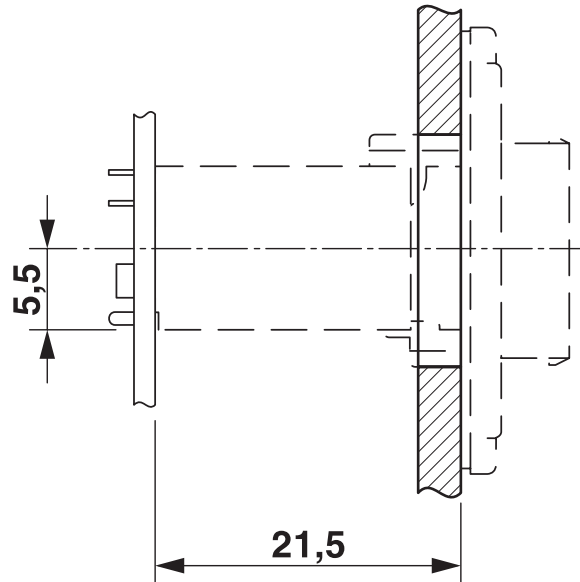


Mounting cutout

1418873

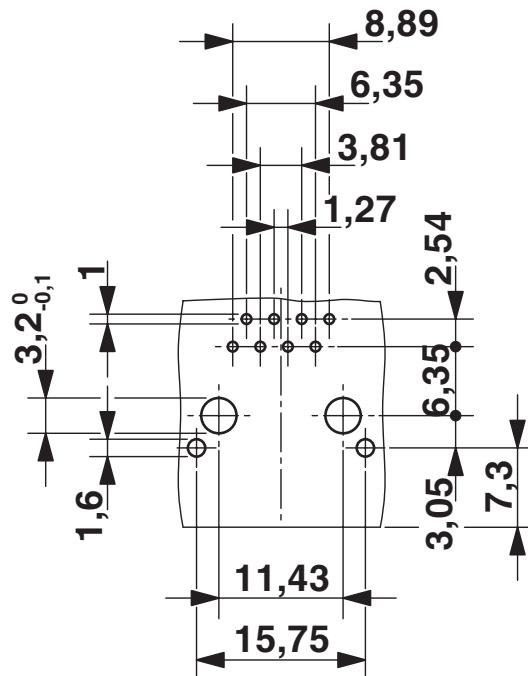
<https://www.phoenixcontact.com/us/products/1418873>

Dimensional drawing



Mounting cutout

Drilling plan/solder pad geometry



Drilling diagram

1418873

<https://www.phoenixcontact.com/us/products/1418873>

## Classifications

### ECLASS

ECLASS-13.0	27440210
ECLASS-15.0	27440210

### ETIM

ETIM 10.0	EC002310
-----------	----------

### UNSPSC

UNSPSC 21.0	39121100
-------------	----------

1418873

<https://www.phoenixcontact.com/us/products/1418873>

## Environmental product compliance

### EU RoHS

Fulfills EU RoHS substance requirements	Yes, No exemptions
---	--------------------

### China RoHS

Environment friendly use period (EFUP)	EFUP-E
	No hazardous substances above the limits

### EU REACH SVHC

REACH candidate substance (CAS No.)	No substance above 0.1 wt%
-------------------------------------	----------------------------

### EF3.1 Climate Change

CO2e kg	0.099 kg CO2e
---------	---------------

Phoenix Contact 2026 © - all rights reserved  
<https://www.phoenixcontact.com>

Phoenix Contact USA  
586 Fulling Mill Road  
Middletown, PA 17057, United States  
(+717) 944-1300  
[info@phoenixcon.com](mailto:info@phoenixcon.com)