

SAC-4P-3,7-PUR/AD US - Sensor/actuator cable



1418854

<https://www.phoenixcontact.com/us/products/1418854>

Please be informed that the data shown in this PDF document is generated from our online catalog. Please find the complete data in the user documentation. Our general terms of use for downloads are valid.



Sensor/actuator cable, 4-position, PUR halogen-free, black-gray RAL 7021, free cable end, on Valve connector AD (pressure switch), Wiring: unwired, cable length: 3.7 m

Your advantages

- Easy and safe: 100 % electrically tested plug-in components
- Our standard: robust halogen-free PUR cable

Commercial data

Item number	1418854
Packing unit	1 pc
Minimum order quantity	1 pc
Note	Made to order (non-returnable)
Sales key	NULL
Product key	AF1DBA
GTIN	4055626152271
Weight per piece (including packing)	158.7 g
Weight per piece (excluding packing)	158.7 g
Customs tariff number	85444290
Country of origin	PL

1418854

<https://www.phoenixcontact.com/us/products/1418854>

Technical data

Product properties

Product type	Sensor/actuator cable with valve connector
Application	Standard
Number of positions	4
No. of cable outlets	1

Insulation characteristics

Overvoltage category	III
Degree of pollution	3

Connection data

Conductor connection

Tightening torque	0.6 Nm
-------------------	--------

Material specifications

Flammability rating according to UL 94	V0
Material housing valve plug	TPU
Contact material	CuSn
Valve plug contact insert material	PA 6
Contact surface material	Sn

Electrical properties

Nominal voltage U_N	230 V AC
	230 V DC
Nominal current I_N	4 A

Signaling

Status display	no
Status display present	no

Connector

Connection 1

Type	free cable end
------	----------------

Connection 2

Type	Valve connector AD (pressure switch)
Material	CuSn (Contact)
	Sn (Contact surface)
	PA 6 (Contact carrier)
	TPU (Housing)
Protective circuit	unwired

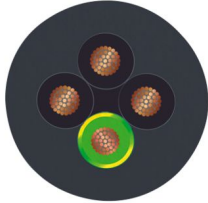
SAC-4P-3,7-PUR/AD US - Sensor/actuator cable



1418854

<https://www.phoenixcontact.com/us/products/1418854>

Cable/line

Cable length	3.7 m
PUR halogen-free black [PUR]	
Dimensional drawing	
UL AWM Style	20549
Number of positions	4
Shielded	no
Cable type	PUR halogen-free black [PUR]
Conductor structure signal line	28x 0.15 mm
AWG signal line	20
Conductor cross-section	4x 0.5 mm ²
Wire diameter incl. insulation	1.5 mm ±0.05 mm (Signal line)
External cable diameter	4.90 mm ±0.2 mm
Outer sheath, material	PUR
External sheath, color	black-gray RAL 7021
Conductor material	Bare Cu litz wires
Material wire insulation	PP
Single wire, color	black 1, black 2, black 3, green/yellow
Overall twist	4 wires, twisted
Max. conductor resistance	39 Ω/km (at 20 °C)
Insulation resistance	min. 20 MΩ*km
Nominal voltage, cable	300 V
Test voltage	1200 V
Smallest bending radius, fixed installation	25 mm
Smallest bending radius, movable installation	50 mm
Dynamic load capacity (bending)	Max. bending cycles: 15000000, Bending radius: 50 mm, Traversing path: 0.9 m, Traversing rate: 5 m/s, Acceleration: 30 m/s ²
Flame resistance	according to DIN VDE 0482 According to DIN EN 50265-2-1
Other resistance	largely oil-resistant partly UV-resistant (in accordance with DIN EN ISO 4892-2-A)
Ambient temperature (operation)	-40 °C ... 80 °C (cable, fixed installation) -20 °C ... 80 °C (Cable, flexible installation)

Environmental and real-life conditions

SAC-4P-3,7-PUR/AD US - Sensor/actuator cable



1418854

<https://www.phoenixcontact.com/us/products/1418854>

Ambient conditions

Degree of protection	IP65
	IP67
Ambient temperature (operation) (Valve connector)	-20 °C ... 85 °C (Valve connector)

Standards and regulations

Valve connector

Standard designation	Valve connector
Standards/specifications	EN 175301-803

Drawings

Dimensional drawing



Valve connector, type AD

Dimensional drawing



Valve connector, type AD, side view

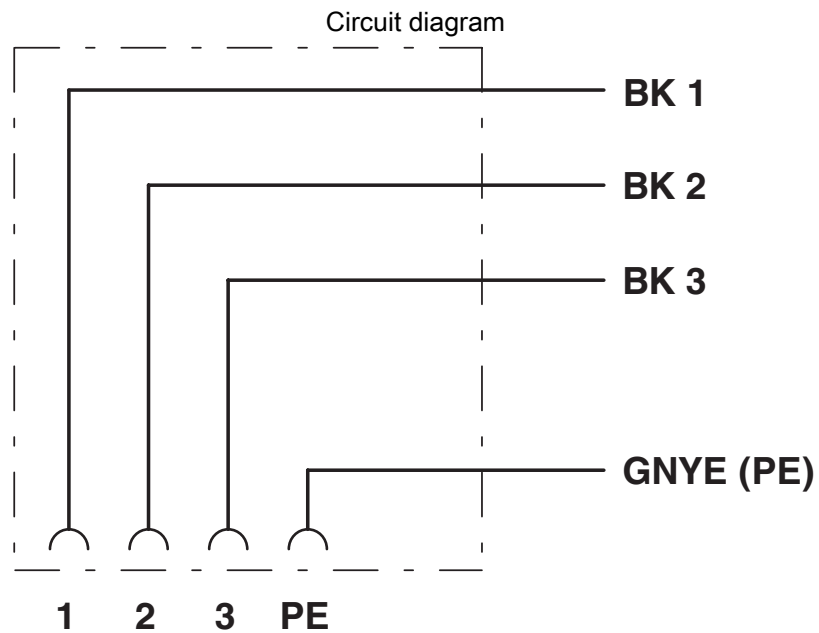
1418854

<https://www.phoenixcontact.com/us/products/1418854>

Schematic diagram



Valve plug connector pin assignment, type AD



Contact assignment of the valve plug

SAC-4P-3,7-PUR/AD US - Sensor/actuator cable



1418854

<https://www.phoenixcontact.com/us/products/1418854>

Classifications

ECLASS

ECLASS-13.0	27060312
ECLASS-15.0	27060312

UNSPSC

UNSPSC 21.0	31251500
-------------	----------

SAC-4P-3,7-PUR/AD US - Sensor/actuator cable



1418854

<https://www.phoenixcontact.com/us/products/1418854>

Environmental product compliance

EU RoHS

Fulfills EU RoHS substance requirements	Yes, No exemptions
---	--------------------

China RoHS

Environment friendly use period (EFUP)	EFUP-E
	No hazardous substances above the limits

EU REACH SVHC

REACH candidate substance (CAS No.)	No substance above 0.1 wt%
-------------------------------------	----------------------------

Phoenix Contact 2026 © - all rights reserved
<https://www.phoenixcontact.com>

Phoenix Contact USA
586 Fulling Mill Road
Middletown, PA 17057, United States
(+717) 944-1300
info@phoenixcon.com