

# CUC-DSI-C1STZ-S/DSLSC9 - D-SUB contact insert



1418717

<https://www.phoenixcontact.com/us/products/1418717>

Please be informed that the data shown in this PDF document is generated from our online catalog. Please find the complete data in the user documentation. Our general terms of use for downloads are valid.

D-SUB contact insert, degree of protection: IP20, number of positions: 9, material: Steel, connection method: Solder pins



## Commercial data

Item number	1418717
Packing unit	1 pc
Note	Made to order (non-returnable)
Sales key	AB19
Product key	ABNCAC
GTIN	4055626149639
Weight per piece (including packing)	11.06 g
Weight per piece (excluding packing)	11.06 g
Customs tariff number	85366990
Country of origin	DE

# CUC-DSI-C1STZ-S/DSLSC9 - D-SUB contact insert



1418717

<https://www.phoenixcontact.com/us/products/1418717>

## Technical data

### Product properties

Product type	Contact insert
Type	09
Number of positions	9
Number of slots	1

### Insulation characteristics

Degree of pollution	2
---------------------	---

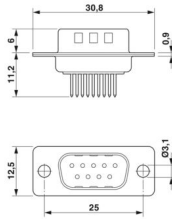
### Electrical properties

Rated voltage in acc. with IEC 61076-2-101	400 V
Rated surge voltage	1.2 kV
Rated current	5 A
Test voltage	1200 V

### Connection data

Connection method	Solder pins
-------------------	-------------

### Dimensions

Dimensional drawing	
Width	16.4 mm
Height	12.5 mm
Depth	17.2 mm
Length	30.8 mm

### Mechanical characteristics

Contact diameter	0.6 mm
------------------	--------

### Material specifications

Flammability rating according to UL 94	V0
Housing material	Steel
Housing surface material	tin-plated
Contact material	Copper alloy
Contact surface material	0.1 µm gold over 1.2 µm nickel
Contact carrier material	PBT-GF

# CUC-DSI-C1STZ-S/DSLSC9 - D-SUB contact insert



1418717

<https://www.phoenixcontact.com/us/products/1418717>

## Mechanical properties

### Mechanical data

Insertion/withdrawal cycles	200
Insertion force per signal contact	≤ 3.40 N

## Environmental and real-life conditions

### Ambient conditions

Degree of protection	IP20
Ambient temperature (operation)	-55 °C ... 125 °C

## Standards and regulations

Standards/specifications	DIN 41652
--------------------------	-----------

## Mounting

Mounting type	3 mm hole
---------------	-----------

# CUC-DSI-C1STZ-S/DSLSC9 - D-SUB contact insert

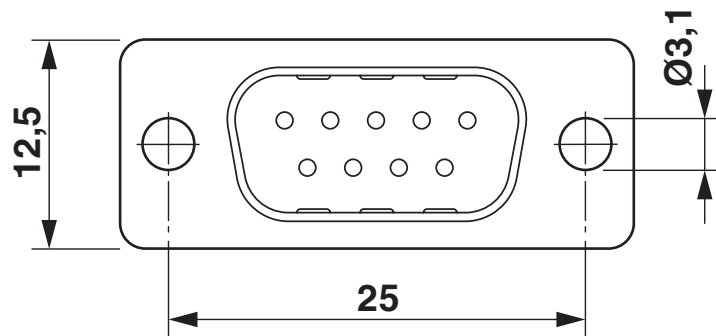
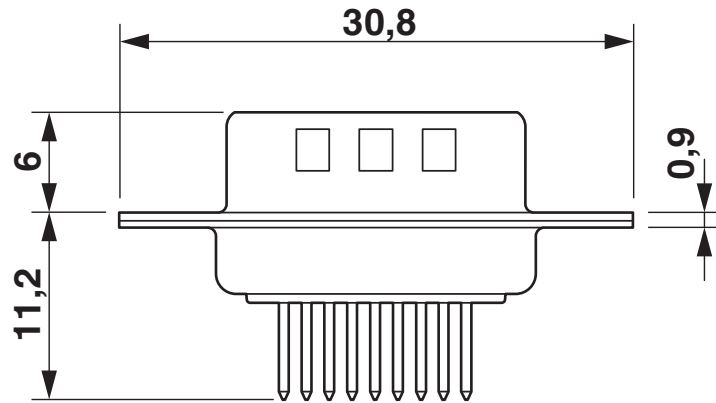


1418717

<https://www.phoenixcontact.com/us/products/1418717>

## Drawings

Dimensional drawing



D-SUB contact insert

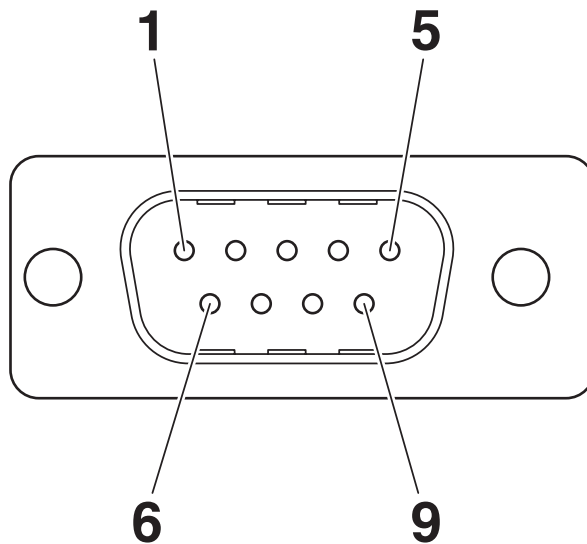
# CUC-DSI-C1STZ-S/DSLSC9 - D-SUB contact insert

1418717

<https://www.phoenixcontact.com/us/products/1418717>



Schematic diagram



# CUC-DSI-C1STZ-S/DSLSC9 - D-SUB contact insert



1418717

<https://www.phoenixcontact.com/us/products/1418717>

## Classifications

### ECLASS

ECLASS-13.0	27440392
ECLASS-15.0	27440392

### UNSPSC

UNSPSC 21.0	39121400
-------------	----------

1418717

<https://www.phoenixcontact.com/us/products/1418717>

## Environmental product compliance

### China RoHS

Environment friendly use period (EFUP)	EFUP-50
	An article-related China RoHS declaration table can be found in the download area for the respective article under "Manufacturer declaration". For all articles with EFUP-E, no China RoHS declaration table issued and required.

### EU REACH SVHC

REACH candidate substance (CAS No.)	No substance above 0.1 wt%
-------------------------------------	----------------------------

Phoenix Contact 2026 © - all rights reserved  
<https://www.phoenixcontact.com>

Phoenix Contact USA  
586 Fulling Mill Road  
Middletown, PA 17057, United States  
(+717) 944-1300  
[info@phoenixcon.com](mailto:info@phoenixcon.com)