

# SACC-CI-M12FST-4P SMD-SP - Sample set



1418631

<https://www.phoenixcontact.com/us/products/1418631>

Please be informed that the data shown in this PDF document is generated from our online catalog. Please find the complete data in the user documentation. Our general terms of use for downloads are valid.

Sample set, 4-position, Socket, straight, M12, T-coding, SMD



## Commercial data

Item number	1418631
Packing unit	5 pc
Minimum order quantity	5 pc
Product key	ABQXAA
GTIN	4055626162454
Weight per piece (including packing)	7,140 g
Weight per piece (excluding packing)	2.932 g
Country of origin	DE

## Technical data

### Notes

Notes on operation	The electrical and mechanical data specified assume that the connector pair is correctly locked and mounted. If the connector is unlocked and if there is a danger of contamination, the connector must be sealed using a protective cap > IP54. Influences arising from litz wires, cables or PCB assembly must also be taken into consideration.
--------------------	--

### Product properties

Product type	Contact insert
Number of positions	4
Coding	T
Thread type	M12

### Insulation characteristics

Overvoltage category	III
Degree of pollution	3

### Electrical properties

Rated surge voltage	1.5 kV
Contact resistance	$\leq 3 \text{ m}\Omega$
Insulation resistance	$\geq 100 \text{ M}\Omega$
Nominal voltage $U_N$	60 V
Nominal current $I_N$	12 A

### Connection data

Connection method	SMD
-------------------	-----

### Material specifications

Flammability rating according to UL 94	V0
Contact material	CuZn
Contact surface material	Au
Contact carrier material	PA

### Connector

#### Connection 1

Head design	Socket
Head cable outlet	straight
Head thread type	M12
Coding	T

### Mechanical properties

#### Mechanical data

# SACC-CI-M12FST-4P SMD-SP - Sample set



1418631

<https://www.phoenixcontact.com/us/products/1418631>

Insertion/withdrawal cycles	> 100
-----------------------------	-------

## Environmental and real-life conditions

### Ambient conditions

Degree of protection	IP67 (correctly plugged in and locked)
Ambient temperature (operation) (male connector/female connector)	-25 °C ... 105 °C
	-55 °C ... 105 °C (without mechanical actuation)

## Standards and regulations

Standard designation	M12 circular connector
Standards/specifications	according to IEC 61076-2-111

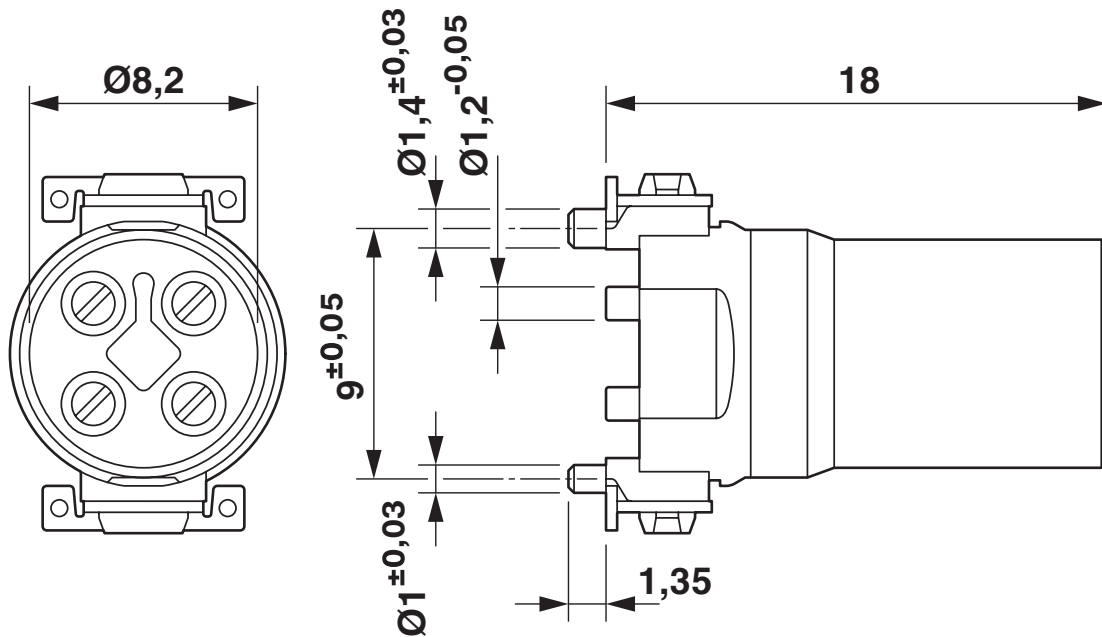
# SACC-CI-M12FST-4P SMD-SP - Sample set

1418631

<https://www.phoenixcontact.com/us/products/1418631>

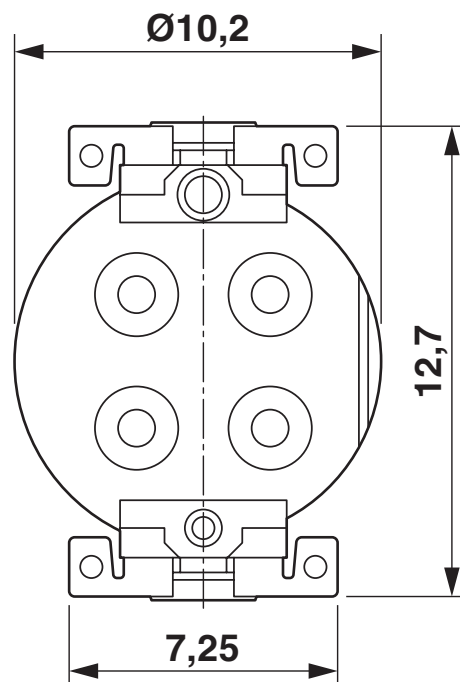
## Drawings

Dimensional drawing



M12 female connector contact carrier

Dimensional drawing



View of solder side

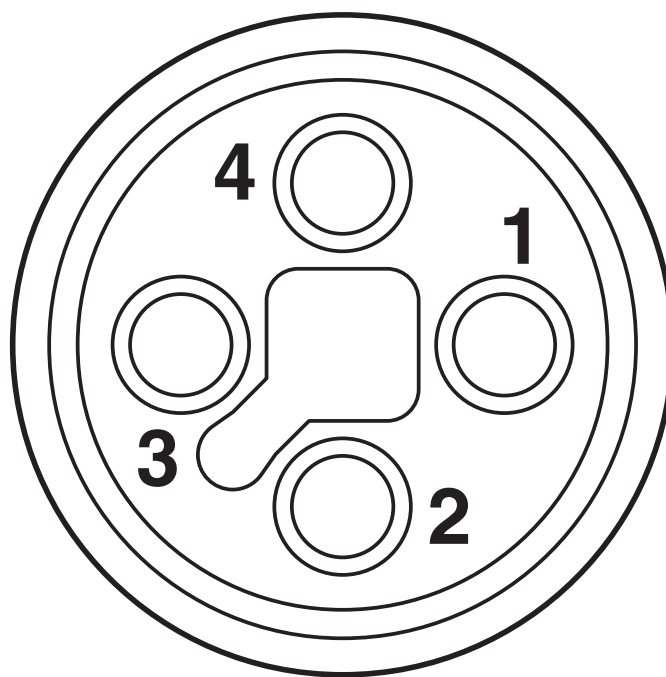
# SACC-CI-M12FST-4P SMD-SP - Sample set

1418631

<https://www.phoenixcontact.com/us/products/1418631>



Schematic diagram



Pin assignment of M12 socket, 4-pos., T-coded, socket side view

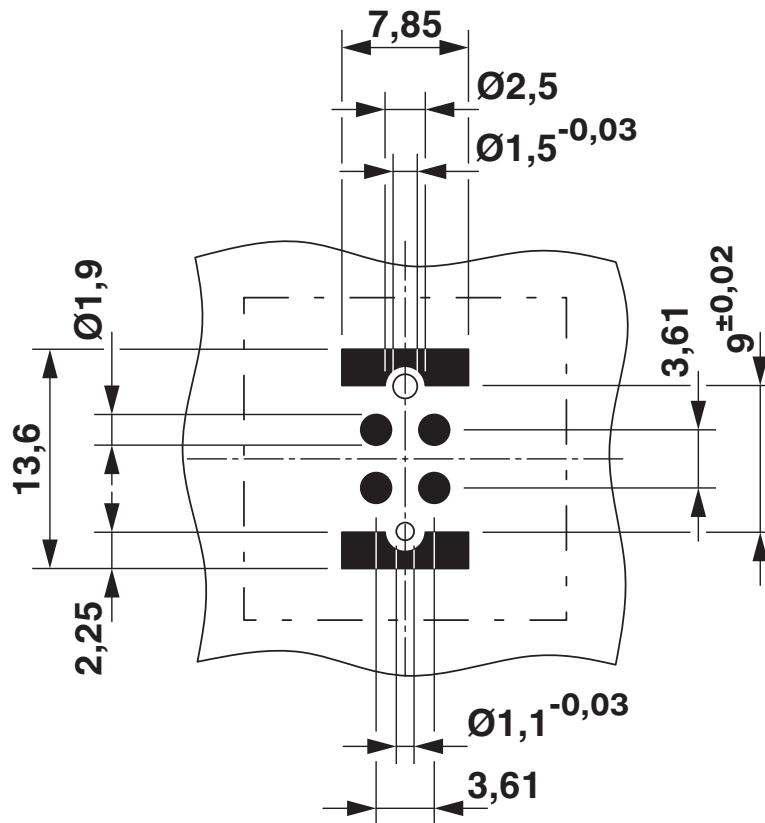
# SACC-CI-M12FST-4P SMD-SP - Sample set

1418631

<https://www.phoenixcontact.com/us/products/1418631>



Drilling plan/solder pad geometry



Soldering pad geometry

# SACC-CI-M12FST-4P SMD-SP - Sample set



1418631

<https://www.phoenixcontact.com/us/products/1418631>

## Classifications

### ECLASS

ECLASS-13.0

27440223

### ETIM

ETIM 9.0

EC003557

### UNSPSC

UNSPSC 21.0

39121400

1418631

<https://www.phoenixcontact.com/us/products/1418631>

## Environmental product compliance

### EU RoHS

Fulfills EU RoHS substance requirements	Yes
Exemption	6(c)

### China RoHS

Environment friendly use period (EFUP)	EFUP-50
	An article-related China RoHS declaration table can be found in the download area for the respective article under "Manufacturer declaration". For all articles with EFUP-E, no China RoHS declaration table issued and required.

### EU REACH SVHC

REACH candidate substance (CAS No.)	Lead(CAS: 7439-92-1)
SCIP	f7b026bc-2922-4fb7-ae14-fe25130a7bd7

Phoenix Contact 2026 © - all rights reserved

<https://www.phoenixcontact.com>

Phoenix Contact USA  
586 Fulling Mill Road  
Middletown, PA 17057, United States  
(+717) 944-1300  
[info@phoenixcon.com](mailto:info@phoenixcon.com)