

HC-Q12-I-CT-F - Contact insert



1418625

<https://www.phoenixcontact.com/us/products/1418625>

Please be informed that the data shown in this PDF document is generated from our online catalog. Please find the complete data in the user documentation. Our general terms of use for downloads are valid.



Contact insert, number of positions: 12+PE, size: D7, number of connections per position: 1, Socket, Crimp connection, 400 V, 12 A, 0.14 mm² ... 2.5 mm²

Your advantages

- Can be keyed in seconds thanks to plastic profiles
- 16 coding options without loss of contact space
- Contact insert including IP65 sealing screw
- Shock and vibration-resistant in accordance with DIN EN 61373

Commercial data

| | |
|--------------------------------------|---------------|
| Item number | 1418625 |
| Packing unit | 1 pc |
| Minimum order quantity | 1 pc |
| Sales key | BF61 |
| Product key | AF7ABJ |
| GTIN | 4055626249384 |
| Weight per piece (including packing) | 15.2 g |
| Weight per piece (excluding packing) | 14.7 g |
| Customs tariff number | 85389099 |
| Country of origin | CN |

HC-Q12-I-CT-F - Contact insert

1418625

<https://www.phoenixcontact.com/us/products/1418625>

Technical data

Notes

| | |
|---------|---|
| General | For HC-D7 housing, crimp contacts CK1,6-ED (crimp contacts not included in scope of supply) |
| General | Connectors may be operated only when there is no load/voltage. |

Mounting

| | |
|---------------|---|
| Assembly note | To ensure correct use, installation in housing with IP54 protection or better is required |
| | Contact insert including IP67 sealing screw. |

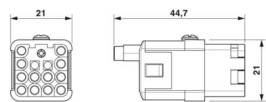
Product properties

| | |
|------------------------------------|--|
| Product type | Contact insert with a fixed no. of positions |
| Series | HC-Q |
| Type | D7 |
| Number of positions | 12 |
| Connection profile | 12+PE |
| Contact numbering | 1 - 12 |
| Number of connections per position | 1 |
| Contact material type | turned |
| | rolled |

Insulation characteristics

| | |
|----------------------|-----|
| Overvoltage category | III |
| Degree of pollution | 3 |

Dimensions

| | |
|---------------------|--|
| Dimensional drawing |  |
| Width | 21 mm |
| Height | 43.1 mm |
| Length | 21 mm |

Mechanical characteristics

| | |
|------------------|--------|
| Contact diameter | 1.6 mm |
|------------------|--------|

Connection data

Connection technology

| | |
|-----------------------|------------------|
| Connection technology | Crimp connection |
| | PE connection |

HC-Q12-I-CT-F - Contact insert



1418625

<https://www.phoenixcontact.com/us/products/1418625>

| | |
|------------------------------------|----------|
| Number of connections per position | 1 |
| Connection in acc. with standard | IEC / EN |

Conductor connection

| | |
|---|--|
| Conductor cross-section | 0.14 mm ² ... 2.5 mm ² |
| Connection cross section AWG | 26 ... 14 |
| Tightening torque | 0.5 Nm ... 0.8 Nm (Mounting screws for mounting in the HEAVYCON housing) |
| Stripping length of the individual wire | 8 mm |
| | 6 mm (2.5 mm ²) |

Electrical properties

| | |
|-----------------------|-------|
| Rated voltage (III/3) | 400 V |
| Rated surge voltage | 6 kV |
| Rated current | 12 A |

Mechanical properties

Mechanical data

| | |
|-----------------------------|-------|
| Insertion/withdrawal cycles | ≥ 500 |
|-----------------------------|-------|

Material specifications

| | |
|--|-----------------------|
| Flammability rating according to UL 94 | V0 |
| Contact material | Copper alloy |
| Contact surface material | Ag (alternatively Au) |
| Contact carrier material | PC |
| Standards/regulations | PC |

Environmental and real-life conditions

Ambient conditions

| | |
|---------------------------------|--|
| Ambient temperature (operation) | -40 °C ... 125 °C (including heating up of contacts) |
|---------------------------------|--|

Standards and regulations

Testing

| | |
|-----------------------|---|
| Standards/regulations | PC: Fire protection in rail vehicles - requirement sets R22, R23, and R24 acc. to DIN EN 45545-2 (Risk level HL1 - HL3) |
|-----------------------|---|

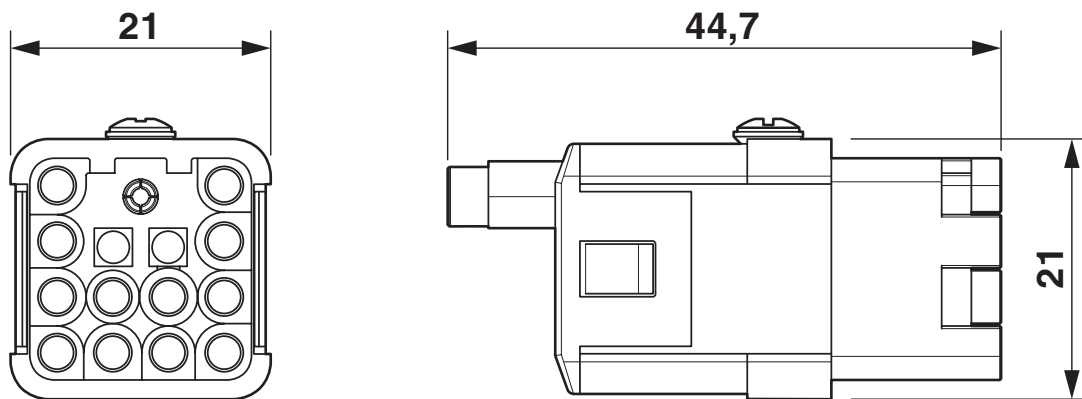
HC-Q12-I-CT-F - Contact insert

1418625

<https://www.phoenixcontact.com/us/products/1418625>

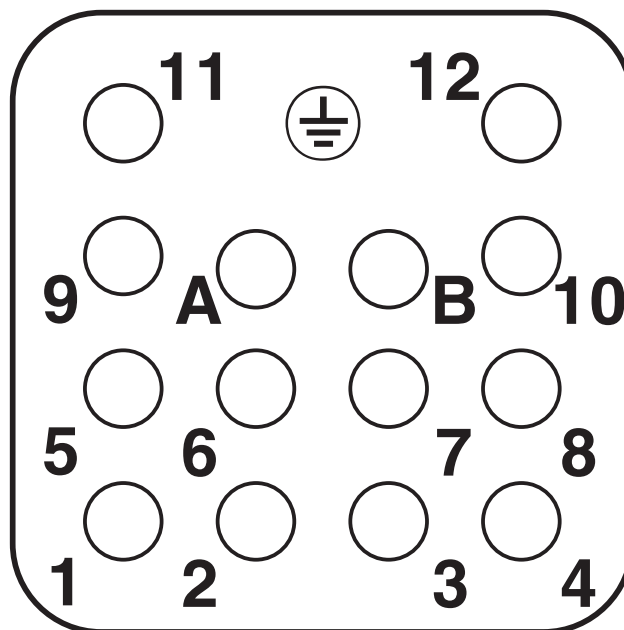
Drawings

Dimensional drawing



Dimensional drawing: HC-Q 12-I-CT-F

Schematic diagram



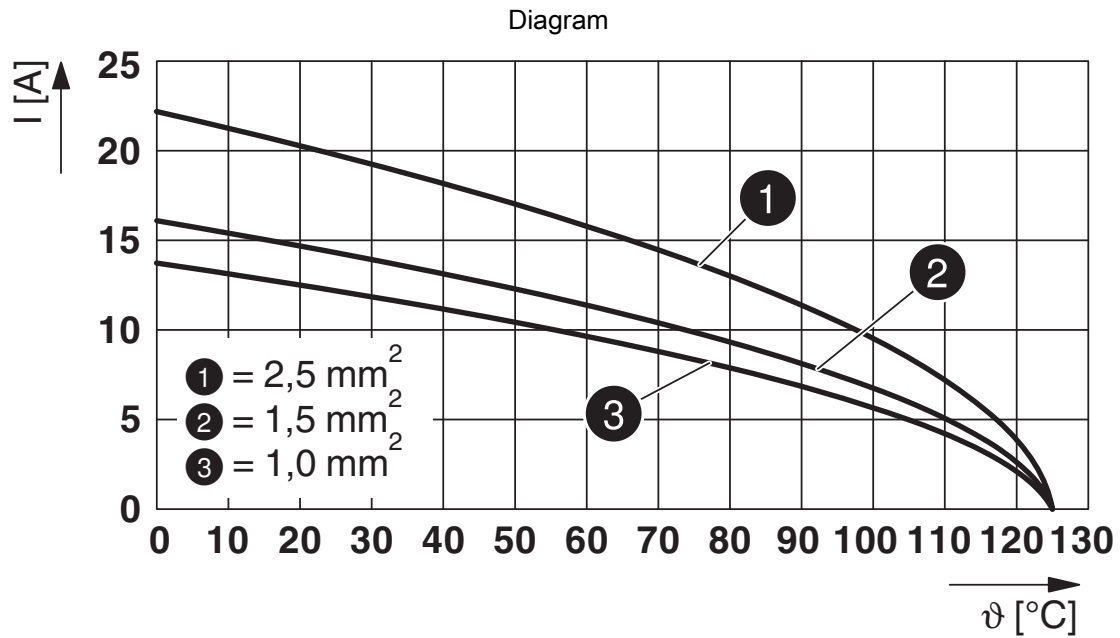
Pin assignment connection side. Position A and B for coding profiles

HC-Q12-I-CT-F - Contact insert

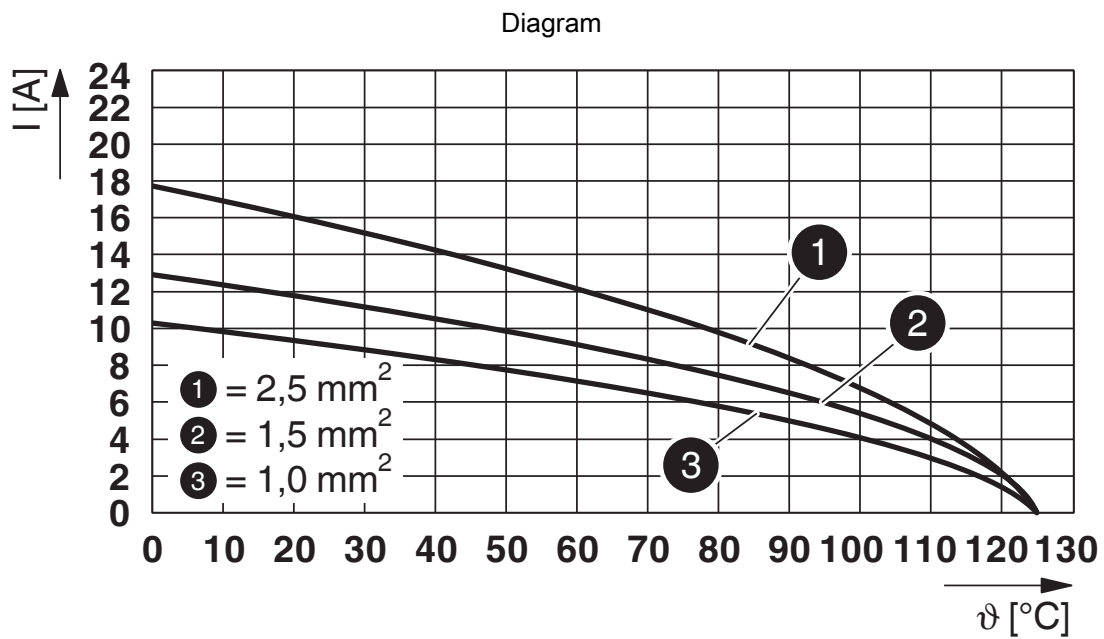


1418625

<https://www.phoenixcontact.com/us/products/1418625>



Derating diagram turned contacts



Derating diagram rolled contacts

HC-Q12-I-CT-F - Contact insert



1418625

<https://www.phoenixcontact.com/us/products/1418625>

Approvals

To download certificates, visit the product detail page: <https://www.phoenixcontact.com/us/products/1418625>

DNV

Approval ID: TAE000037S



CSA

Approval ID: 158887

| | Nominal voltage U_N | Nominal current I_N | Cross section AWG | Cross section mm^2 |
|-------|-----------------------|-----------------------|-------------------|-----------------------------|
| keine | | | | |
| | 600 V | 12 A | - 14 | - |



UL Recognized

Approval ID: E118976

| | Nominal voltage U_N | Nominal current I_N | Cross section AWG | Cross section mm^2 |
|-------|-----------------------|-----------------------|-------------------|-----------------------------|
| keine | | | | |
| | 600 V | 15 A | - 14 | - |



UL Recognized

Approval ID: E468743

| | Nominal voltage U_N | Nominal current I_N | Cross section AWG | Cross section mm^2 |
|-------|-----------------------|-----------------------|-------------------|-----------------------------|
| keine | | | | |
| | 600 V | 15 A | - | - |

HC-Q12-I-CT-F - Contact insert



1418625

<https://www.phoenixcontact.com/us/products/1418625>

Classifications

ECLASS

| | |
|-------------|----------|
| ECLASS-13.0 | 27440205 |
| ECLASS-15.0 | 27440205 |

ETIM

| | |
|-----------|----------|
| ETIM 10.0 | EC000438 |
|-----------|----------|

UNSPSC

| | |
|-------------|----------|
| UNSPSC 21.0 | 39121500 |
|-------------|----------|

HC-Q12-I-CT-F - Contact insert



1418625

<https://www.phoenixcontact.com/us/products/1418625>

Environmental product compliance

EU RoHS

| | |
|---|--------------------|
| Fulfills EU RoHS substance requirements | Yes, No exemptions |
|---|--------------------|

China RoHS

| | |
|--|--|
| Environment friendly use period (EFUP) | EFUP-E |
| | No hazardous substances above the limits |

EU REACH SVHC

| | |
|-------------------------------------|----------------------------|
| REACH candidate substance (CAS No.) | No substance above 0.1 wt% |
|-------------------------------------|----------------------------|

Phoenix Contact 2026 © - all rights reserved
<https://www.phoenixcontact.com>

Phoenix Contact USA
586 Fulling Mill Road
Middletown, PA 17057, United States
(+717) 944-1300
info@phoenixcon.com