

HC-HPR-B10-BCLWH-E-BK - Protective cover



1418444

<https://www.phoenixcontact.com/us/products/1418444>

Please be informed that the data shown in this PDF document is generated from our online catalog. Please find the complete data in the user documentation. Our general terms of use for downloads are valid.

Protective cover B10, with screw locking, material: Die-cast aluminum, protective cover material: Al, height: 32 mm, seal: no, for increased environmental and EMC requirements



Your advantages

- Vibration and shock: IEC 61373/EN 50155, category 1, class 1B

Commercial data

Item number	1418444
Packing unit	1 pc
Minimum order quantity	1 pc
Sales key	BF66
Product key	AF7AZC
GTIN	4055626140230
Weight per piece (including packing)	153 g
Weight per piece (excluding packing)	142 g
Customs tariff number	85389099
Country of origin	CN

HC-HPR-B10-BCLWH-E-BK - Protective cover



1418444

<https://www.phoenixcontact.com/us/products/1418444>

Technical data

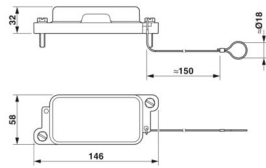
Notes

General	Protective cover for supporting base elements
---------	---

Product properties

Product type	Protective cover
Housing type	Protective cover
Series	HPR-B10
Application	for increased environmental and EMC requirements
Type	B10
Retaining cord present	yes
Seal present	no

Dimensions

Dimensional drawing	
Width	58 mm
Height	32 mm
Length	146 mm

Material specifications

Color	black (RAL 9005)
Material Protective cover	Die-cast aluminum (powder-coated)
Housing material	Die-cast aluminum
Housing surface material	Powder-coated, black
Material, protective cover	Al
Locking latch material	Stainless steel

Mechanical properties

Mechanical data

Locking type	Screw
--------------	-------

Environmental and real-life conditions

Ambient conditions

Degree of protection	IP66
	IP68
	IP69 (ISO 20653:2013-02)
Ambient temperature (operation)	-40 °C ... 125 °C

HC-HPR-B10-BCLWH-E-BK - Protective cover

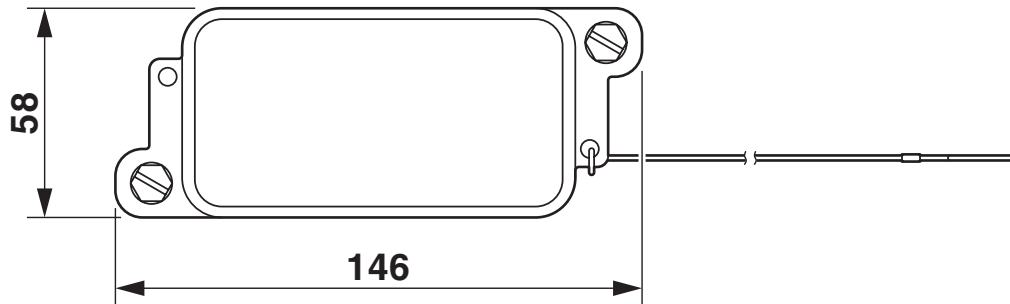
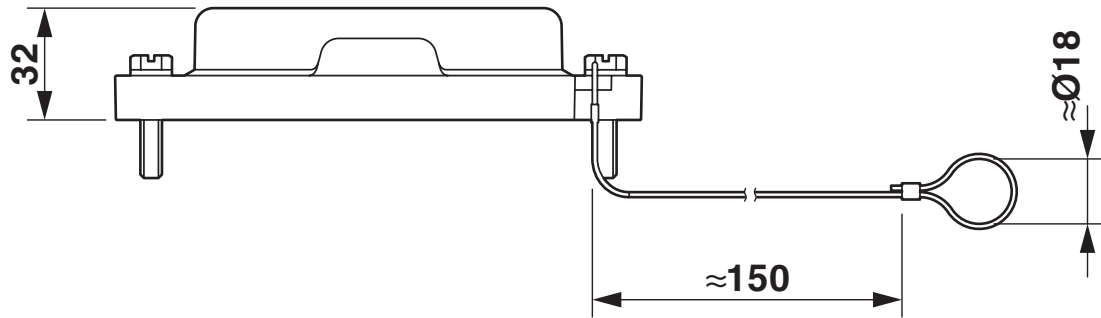


1418444

<https://www.phoenixcontact.com/us/products/1418444>

Drawings

Dimensional drawing



Dimensional drawing

HC-HPR-B10-BCLWH-E-BK - Protective cover



1418444

<https://www.phoenixcontact.com/us/products/1418444>

Approvals

🔗 To download certificates, visit the product detail page: <https://www.phoenixcontact.com/us/products/1418444>

DNV

Approval ID: TAE000037S

ENEC

EAC

Approval ID: RU C-DE.AI30.B.01102

HC-HPR-B10-BCLWH-E-BK - Protective cover



1418444

<https://www.phoenixcontact.com/us/products/1418444>

Classifications

ECLASS

ECLASS-13.0	27440208
ECLASS-15.0	27440208

ETIM

ETIM 10.0	EC002314
-----------	----------

UNSPSC

UNSPSC 21.0	39121400
-------------	----------

1418444

<https://www.phoenixcontact.com/us/products/1418444>

Environmental product compliance

EU RoHS

Fulfills EU RoHS substance requirements	Yes
Exemption	6(c)

China RoHS

Environment friendly use period (EFUP)	EFUP-E
	No hazardous substances above the limits

EU REACH SVHC

REACH candidate substance (CAS No.)	Lead(CAS: 7439-92-1)
SCIP	d1b73926-61d5-4dd8-b832-c971d13053d2

EF3.1 Climate Change

CO2e kg	6.091 kg CO2e
---------	---------------

Phoenix Contact 2026 © - all rights reserved
<https://www.phoenixcontact.com>

Phoenix Contact USA
586 Fulling Mill Road
Middletown, PA 17057, United States
(+717) 944-1300
info@phoenixcon.com