

SAC-5P- 2,0-923/MINFS DN - Bus system cable



1418426

<https://www.phoenixcontact.com/us/products/1418426>

Please be informed that the data shown in this PDF document is generated from our online catalog. Please find the complete data in the user documentation. Our general terms of use for downloads are valid.



Bus system cable, DeviceNet™, 5-position, PUR halogen-free, silver-gray RAL 7001, shielded, free cable end, on Socket straight 7/8"-16UNF, coding: A, cable length: 2 m

Commercial data

Item number	1418426
Packing unit	1 pc
Note	Made to order (non-returnable)
Sales key	BF04
Product key	AF1CDD
GTIN	4046356538282
Weight per piece (including packing)	154 g
Weight per piece (excluding packing)	154 g
Customs tariff number	85444290
Country of origin	DE

SAC-5P- 2,0-923/MINFS DN - Bus system cable



1418426

<https://www.phoenixcontact.com/us/products/1418426>

Technical data

Product properties

Product type	Data cable preassembled
Application	Standard
Sensor type	DeviceNet™
Number of positions	5
No. of cable outlets	1
Shielded	yes
Coding	A

Insulation characteristics

Overvoltage category	II
Degree of pollution	3

Interfaces

Bus system	DeviceNet™
Signal type/category	DeviceNet™

Signaling

Status display	no
Status display present	no

Electrical properties

Nominal voltage U_N	300 V AC
	300 V DC
Nominal current I_N	5.2 A
Transmission medium	Copper

Material specifications

Flammability rating according to UL 94	HB
Seal material	TPU
Material of grip body	TPU
Contact material	CuZn
Contact surface material	Au
Contact carrier material	PA 6.6
Material for screw connection	Stainless steel

Connection data

Connection assignment

Contact Color (signal designation) Contact (optional)	1 (Socket) SR (shield)
	2 (Socket) RD (V+)
	3 (Socket) BK (V-)
	4 (Socket) WH (CAN_H)

SAC-5P- 2,0-923/MINFS DN - Bus system cable



1418426

<https://www.phoenixcontact.com/us/products/1418426>

	5 (Socket) BU (CAN_L)
--	-------------------------

Connector

Connection 1

Type	free cable end
------	----------------


Connection 2

Type	Socket straight 7/8"-16UNF
Number of positions	5
Coding type	A (Standard)

Cable/line

Cable length	2 m
--------------	-----

CANopen®/DeviceNet™, PUR, gray [923]

Dimensional drawing	
Cable weight	90 kg/km
UL AWM Style	21198 (80°C/300 V)
Number of positions	4
Shielded	yes
Cable type	CANopen®/DeviceNet™, PUR, gray [923]
Conductor structure	2xAWG24/19+2xAWG22/19
Conductor structure signal line	19x 0.13 mm
AWG signal line	24
Conductor structure, voltage supply	19x 0.15 mm
AWG power supply	22
Conductor cross-section	2x 0.25 mm ² (Data cable) 2x 0.34 mm ² (Power supply) 1x 0.34 mm ² (Drain wire)
Wire diameter incl. insulation	1.95 mm ±0.05 mm (Data cable) 1.4 mm ±0.05 mm (Power supply)
External cable diameter	6.70 mm ±0.3 mm
Outer sheath, material	PUR
External sheath, color	silver-gray RAL 7001
Conductor material	Tin-plated Cu litz wires
Material wire insulation	Foamed PE (Data cable) PE (Power supply)

SAC-5P- 2,0-923/MINFS DN - Bus system cable



1418426

<https://www.phoenixcontact.com/us/products/1418426>

Single wire, color	red-black, blue-white
Twisted pairs	2 cores to the pair
Type of pair shielding	Plastic-coated aluminum foil, aluminum side outside
Overall twist	2 pairs around a drain wire in the center to the core
Optical shield covering	80 %
Insulation resistance	≥ 5 GΩ*km (Data cable)
	≥ 5 GΩ*km (Power supply)
Loop resistance	≤ 181.80 Ω/km (Data cable)
	≤ 114.80 Ω/km (Power supply)
Wave impedance	120 Ω ±10 % (with 1 MHz)
Cable capacity	nom. 40 nF/km (Data cable)
Nominal voltage, cable	≤ 300 V (Peak value, not for high-power applications)
Test voltage Core/Core	2000 V (50 Hz, 1 min.)
Test voltage Core/Shield	2000.00 V (50 Hz, 1 min.)
Minimum bending radius, fixed installation	5 x D
Minimum bending radius, flexible installation	10 x D
Smallest bending radius, fixed installation	34 mm
Smallest bending radius, movable installation	67 mm
Dynamic load capacity (bending)	Max. bending cycles: 5000000, Bending radius: 70 mm, Bending radius: 10 x D, Traversing path: 4.5 m, Traversing rate: 3 m/s, Acceleration: 3 m/s², Ambient temperature: ≤ 70 °C
Shield attenuation	≤ 22.9 dB/km (with 1 MHz)
	≤ 16.4 dB/km (At 500 kHz)
	≤ 9.5 dB/km (At 125 kHz)
Halogen-free	in accordance with DIN VDE 0472 part 815
	according to IEC 60754-1
Flame resistance	UL 1581, Sec. 1060 (FT-1)
	IEC 60332-1
Other resistance	Low adhesion
Ambient temperature (operation)	-40 °C ... 80 °C (cable, fixed installation)
	-20 °C ... 80 °C (Cable, flexible installation)
	≤ 70 °C (cable, drag chain applications)

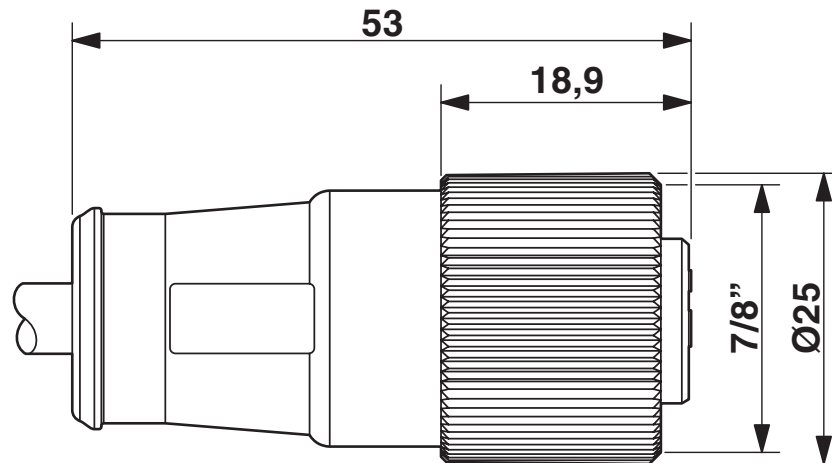
SAC-5P- 2,0-923/MINFS DN - Bus system cable

1418426

<https://www.phoenixcontact.com/us/products/1418426>

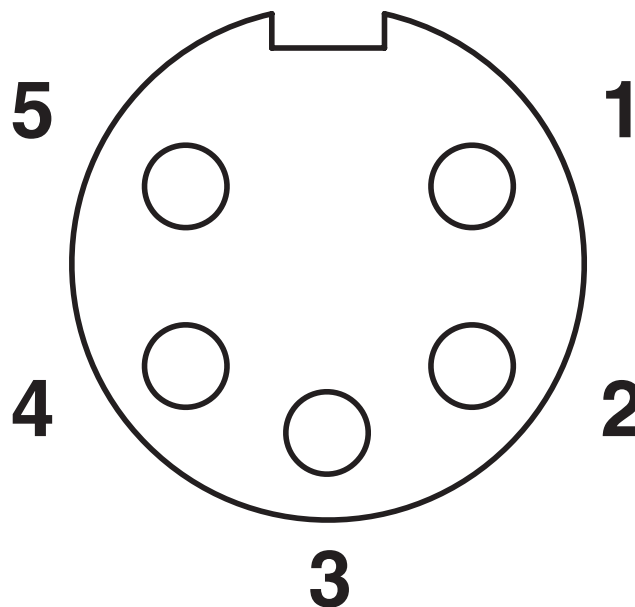
Drawings

Dimensional drawing



7/8"-16UNF socket, straight

Schematic diagram



Pin assignment, socket, 7/8"-16UNF, 5-pos., view of female side

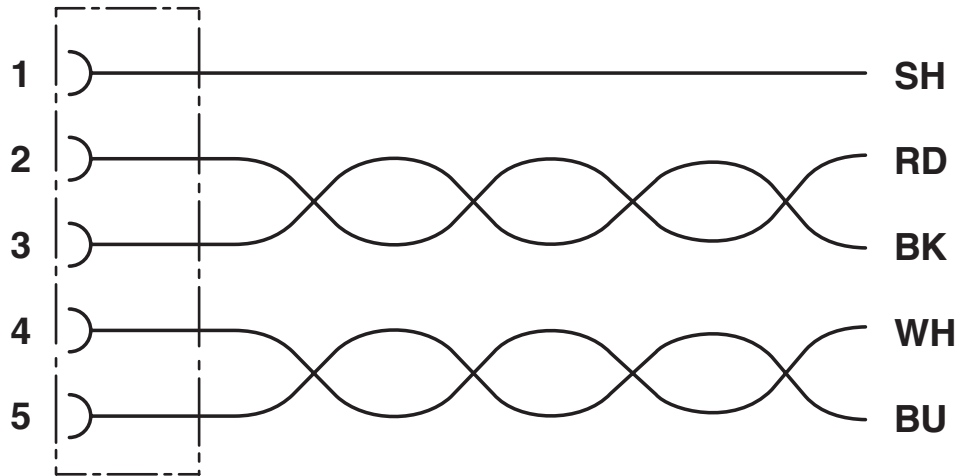
SAC-5P- 2,0-923/MINFS DN - Bus system cable



1418426

<https://www.phoenixcontact.com/us/products/1418426>

Circuit diagram



Contact assignment of 7/8" socket

SAC-5P- 2,0-923/MINFS DN - Bus system cable



1418426

<https://www.phoenixcontact.com/us/products/1418426>

Classifications

ECLASS

ECLASS-13.0	27060307
ECLASS-15.0	27060307

Phoenix Contact 2026 © - all rights reserved

<https://www.phoenixcontact.com>

Phoenix Contact USA
586 Fulling Mill Road
Middletown, PA 17057, United States
(+717) 944-1300
info@phoenixcon.com