

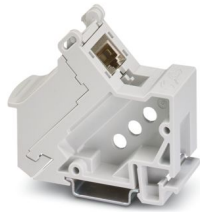
CUC-PP-D1PGY/R4GC8 - DIN rail adapter



1418094

<https://www.phoenixcontact.com/us/products/1418094>

Please be informed that the data shown in this PDF document is generated from our online catalog. Please find the complete data in the user documentation. Our general terms of use for downloads are valid.



DIN rail adapter, design: RJ45, degree of protection: IP20, number of positions: 8, 1 Gbps, CAT6, material: PC-GF, connection method: Coupling, color: gray

Product description

DIN rail adapter with RJ45 coupling for the distribution of Ethernet cables

Your advantages

- Front-release modules
- DIN rail mounting
- Individual marking field
- Security elements available as accessories

Commercial data

Item number	1418094
Packing unit	1 pc
Note	Made to order (non-returnable)
Sales key	NULL
Product key	ABNMAY
GTIN	4055626133584
Weight per piece (including packing)	57.5 g
Weight per piece (excluding packing)	57.5 g
Customs tariff number	85366990
Country of origin	TW

CUC-PP-D1PGY/R4GC8 - DIN rail adapter



1418094

<https://www.phoenixcontact.com/us/products/1418094>

Technical data

Product properties

Product type	Patch panel
Type	Rail-mountable module
Number of positions	8
Connection profile	RJ45
Number of slots	2

Electrical properties

Rated voltage (III/3)	72 V (DC)
Rated surge voltage	1 kV
Operating voltage	72 V (DC)
Frequency range	250 MHz
Insulation resistance	> 500 M Ω (100 V DC)
Nominal current I_N	1.5 A
Transmission speed	1 Gbps

Connection data

Connection method	Coupling
-------------------	----------

Material specifications

Color	gray
Flammability rating according to UL 94	V0
Housing material	PC-GF
Contact material	CuSn
Contact surface material	Gold over nickel
Contact carrier material	Die-cast zinc alloy

Mechanical properties

Mechanical data

Insertion/withdrawal cycles	≥ 750
-----------------------------	------------

Environmental and real-life conditions

Ambient conditions

Degree of protection	IP20
Ambient temperature (operation)	-10 °C ... 60 °C
Ambient temperature (storage/transport)	-40 °C ... 70 °C

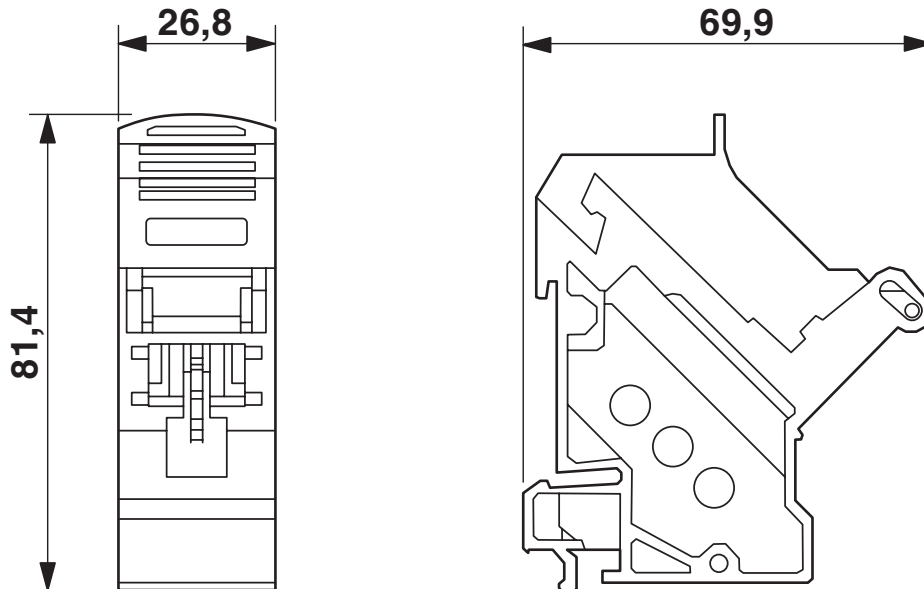
CUC-PP-D1PGY/R4GC8 - DIN rail adapter

1418094

<https://www.phoenixcontact.com/us/products/1418094>

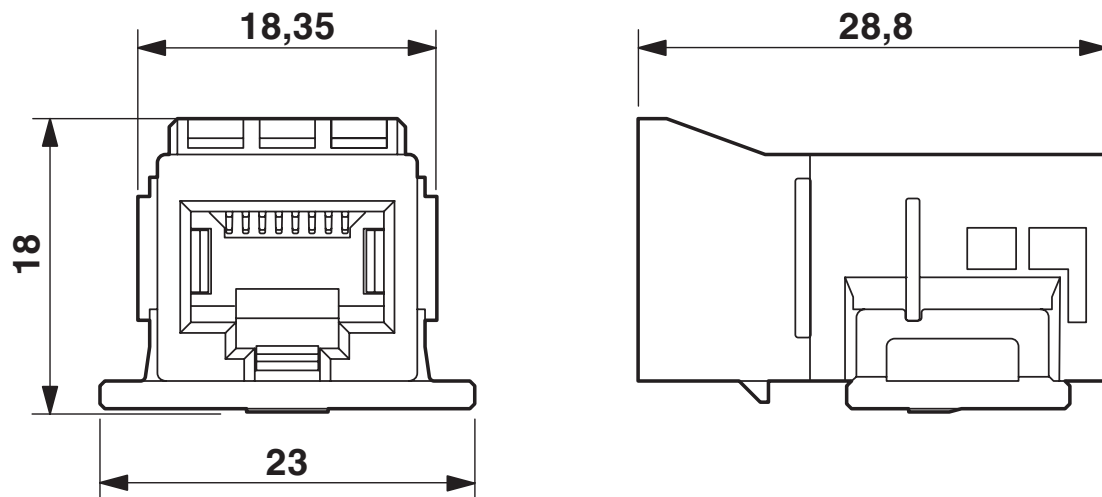
Drawings

Dimensional drawing



RJ45 patch panel

Dimensional drawing



RJ45 socket insert, Freenet system

CUC-PP-D1PGY/R4GC8 - DIN rail adapter



1418094

<https://www.phoenixcontact.com/us/products/1418094>

Classifications

UNSPSC

UNSPSC 21.0	43223309
-------------	----------

CUC-PP-D1PGY/R4GC8 - DIN rail adapter



1418094

<https://www.phoenixcontact.com/us/products/1418094>

Environmental product compliance

China RoHS

Environment friendly use period (EFUP)	EFUP-E
	No hazardous substances above the limits

EU REACH SVHC

REACH candidate substance (CAS No.)	No substance above 0.1 wt%
-------------------------------------	----------------------------

Phoenix Contact 2026 © - all rights reserved
<https://www.phoenixcontact.com>

Phoenix Contact USA
586 Fulling Mill Road
Middletown, PA 17057, United States
(+717) 944-1300
info@phoenixcon.com