

SACC-M12FST-4CON-PG 9-M - Power connector



1418052

<https://www.phoenixcontact.com/us/products/1418052>

Please be informed that the data shown in this PDF document is generated from our online catalog. Please find the complete data in the user documentation. Our general terms of use for downloads are valid.



Power connector, 4-position, unshielded, Socket straight M12, coding: T, Screw connection, knurl material: Zinc die-cast, nickel-plated, cable gland Pg9, external cable diameter 6 mm ... 8 mm, For direct current up to 12 A/63 V

Your advantages

- Safe use in the field, thanks to a high degree of protection
- Screw connection: proven connection technology for a large selection of different conductors
- High-performance: DC connectors for up to 12 A and 63 V DC
- Protection against incorrect connection using special T-coding

Commercial data

Item number	1418052
Packing unit	1 pc
Minimum order quantity	1 pc
Sales key	BF30
Product key	AF2CAB
GTIN	4055626131528
Weight per piece (including packing)	27.15 g
Weight per piece (excluding packing)	27.15 g
Customs tariff number	85369010
Country of origin	DE

SACC-M12FST-4CON-PG 9-M - Power connector



1418052

<https://www.phoenixcontact.com/us/products/1418052>

Technical data

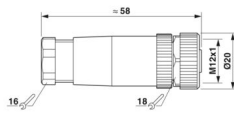
Product properties

Product type	Circular connector (cable-side)
Application	Energy supply
Number of positions	4
No. of cable outlets	1
Shielded	no
Coding	T
Cable outlet	straight
Pg screw connection	Pg9

Insulation characteristics

Overvoltage category	III
Degree of pollution	3

Dimensions

Dimensional drawing	
Length	58 mm
Wrench size, union nut	16 mm

External dimensions

Outside diameter	6 mm ... 8 mm
------------------	---------------

Housing

Diameter housing	20 mm
------------------	-------

Material specifications

Flammability rating according to UL 94	V0
Seal material	Viton NBR
Material of grip body	PA
Contact material	CuZn
Contact surface material	Au
Contact carrier material	PA
Material for screw connection	Zinc die-cast, nickel-plated

Connection data

Conductor connection

Connection method	Screw connection 0.75 mm ² ... 1.5 mm ² (without ferrule)
-------------------	--

SACC-M12FST-4CON-PG 9-M - Power connector



1418052

<https://www.phoenixcontact.com/us/products/1418052>

Connection cross section	0.75 mm ² ... 1.5 mm ² (with ferrule)
	0.75 mm ² ... 2.5 mm ² (solid)
Connection cross section AWG	18 ... 14 (without ferrule)
	18 ... 16 (with ferrule)
Stripping length of the individual wire	5 mm
Tightening torque	0.4 Nm (M12 knurl)
	0.8 Nm ... 1 Nm (Pressure screw with sleeve housing)
	0.4 Nm (Screw plug insert with sleeve housing as far it will go)
	0.2 Nm (Screw terminal blocks)

Electrical properties

Rated surge voltage	1.5 kV
Contact resistance	≤ 3 mΩ
Insulation resistance	> 10 GΩ
Nominal voltage U _N	63 V DC
Nominal current I _N	12 A (when using 1.5 mm ² conductors)
	12 A (at 40 °C)

Mechanical properties

Mechanical data

Insertion/withdrawal cycles	≥ 100
-----------------------------	-------

Connector

Connection 1

Head design	Socket
Head cable outlet	straight
Head thread type	M12
Coding	T

Cable/line

Stripping length of the individual wire	5 mm
---	------

Environmental and real-life conditions

Ambient conditions

Degree of protection	IP67
Ambient temperature (operation)	-40 °C ... 85 °C (Plug / socket)

Standards and regulations

M12

Standard designation	M12 connector
Standards/specifications	IEC 61076-2-111

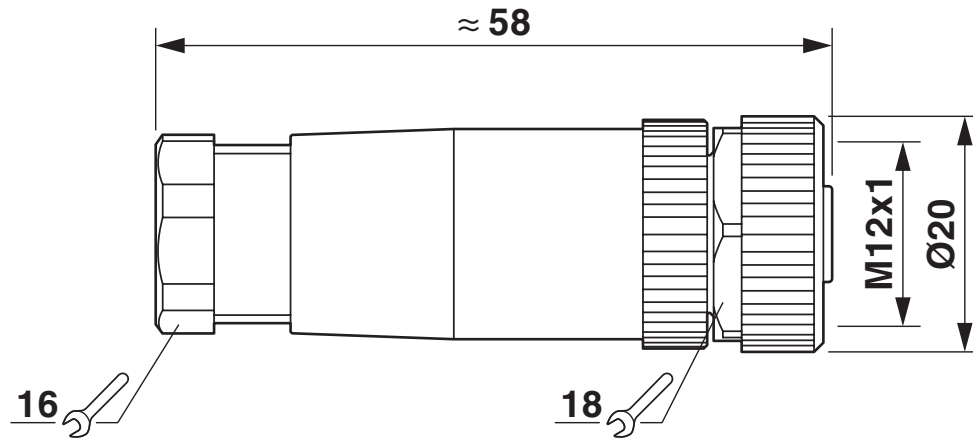
SACC-M12FST-4CON-PG 9-M - Power connector

1418052

<https://www.phoenixcontact.com/us/products/1418052>

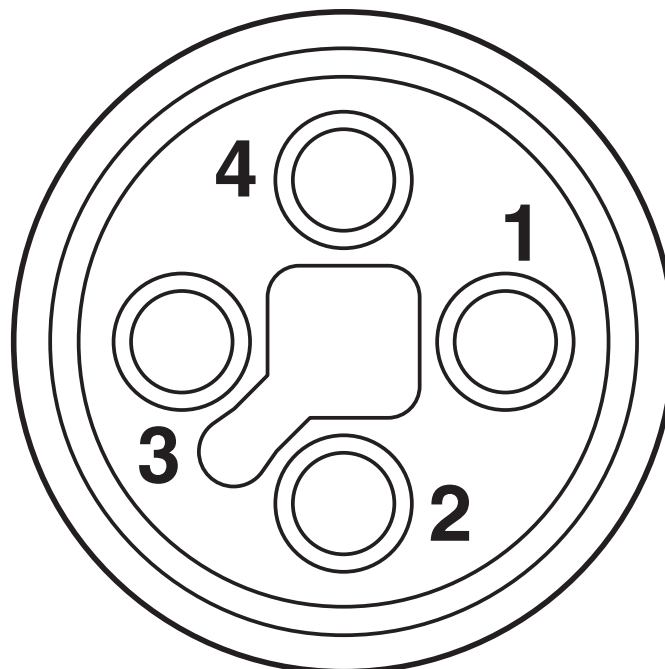
Drawings

Dimensional drawing



M12 x 1 socket, straight

Schematic diagram



Pin assignment of M12 socket, 4-pos., T-coded, socket side view

SACC-M12FST-4CON-PG 9-M - Power connector





1418052

<https://www.phoenixcontact.com/us/products/1418052>

Approvals

To download certificates, visit the product detail page: <https://www.phoenixcontact.com/us/products/1418052>

 cUL Recognized Approval ID: FILE E 221474				
	Nominal voltage U_N	Nominal current I_N	Cross section AWG	Cross section mm^2
keine				
	60 V	12 A	- 16	-

 UL Recognized Approval ID: FILE E 221474				
	Nominal voltage U_N	Nominal current I_N	Cross section AWG	Cross section mm^2
keine				
	60 V	12 A	- 16	-

SACC-M12FST-4CON-PG 9-M - Power connector



1418052

<https://www.phoenixcontact.com/us/products/1418052>

Classifications

ECLASS

ECLASS-13.0	27440116
ECLASS-15.0	27440116

ETIM

ETIM 10.0	EC002635
-----------	----------

UNSPSC

UNSPSC 21.0	39121400
-------------	----------

1418052

<https://www.phoenixcontact.com/us/products/1418052>

Environmental product compliance

EU RoHS

Fulfills EU RoHS substance requirements	Yes
Exemption	6(c)

China RoHS

Environment friendly use period (EFUP)	EFUP-50
	An article-related China RoHS declaration table can be found in the download area for the respective article under "Manufacturer declaration". For all articles with EFUP-E, no China RoHS declaration table issued and required.

EU REACH SVHC

REACH candidate substance (CAS No.)	Lead(CAS: 7439-92-1)
SCIP	73c86424-1ae9-4232-a195-167793e45779

EF3.1 Climate Change

CO2e kg	1.283 kg CO2e
---------	---------------

Phoenix Contact 2026 © - all rights reserved
<https://www.phoenixcontact.com>

Phoenix Contact USA
586 Fulling Mill Road
Middletown, PA 17057, United States
(+717) 944-1300
info@phoenixcon.com