

HC-B10-TMB-O1STM(16-12)S-EMV - EMC housing



1418029

<https://www.phoenixcontact.com/us/products/1418029>

Please be informed that the data shown in this PDF document is generated from our online catalog. Please find the complete data in the user documentation. Our general terms of use for downloads are valid.



Photo shows a housing with an M25 screw connection

Sleeve housing B10, Bayonet locking, material: Die-cast aluminum, cable outlets: 2, lateral, 1x M12 / 1x M16, height: 100 mm, cable gland: none, EMC

Commercial data

Item number	1418029
Packing unit	1 pc
Minimum order quantity	1 pc
Product key	AF7AAA
GTIN	4055626130286
Weight per piece (including packing)	350 g
Weight per piece (excluding packing)	350 g
Country of origin	DE

1418029

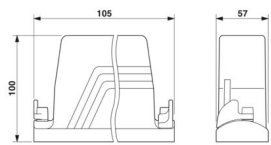
<https://www.phoenixcontact.com/us/products/1418029>

Technical data

Product properties

Product type	Housing with screw locking
Housing type	Sleeve housing
Application	EMC
Type	B10
No. of cable outlets	2
Type of the screw connection	1x M12 / 1x M16
Cable outlet	lateral
Pg screw connection	none

Dimensions

Dimensional drawing	
Width	57 mm
Height	100 mm
Length	105 mm

Installation dimensions

Width of the assembly cutout	35 mm
Length of the assembly cutout	65 mm

Material specifications

Seal material	NBR, conductive
Housing material	Die-cast aluminum
Housing surface material	EMC coating, silver
Locking latch material	High-grade steel, handle: PA-GF

Environmental and real-life conditions

Ambient conditions

Degree of protection	IP65
	IP67
Ambient temperature (operation)	-40 °C ... 125 °C

Mechanical properties

Mechanical data

Type of the screw connection	1x M12 / 1x M16
------------------------------	-----------------

Mounting

1418029

<https://www.phoenixcontact.com/us/products/1418029>

Assembly note

In order to guarantee that the protective conductor contact functions even when plugged in at an angle, the two panel-mount flanges must have sufficient electrical contact with the metal mounting panel.

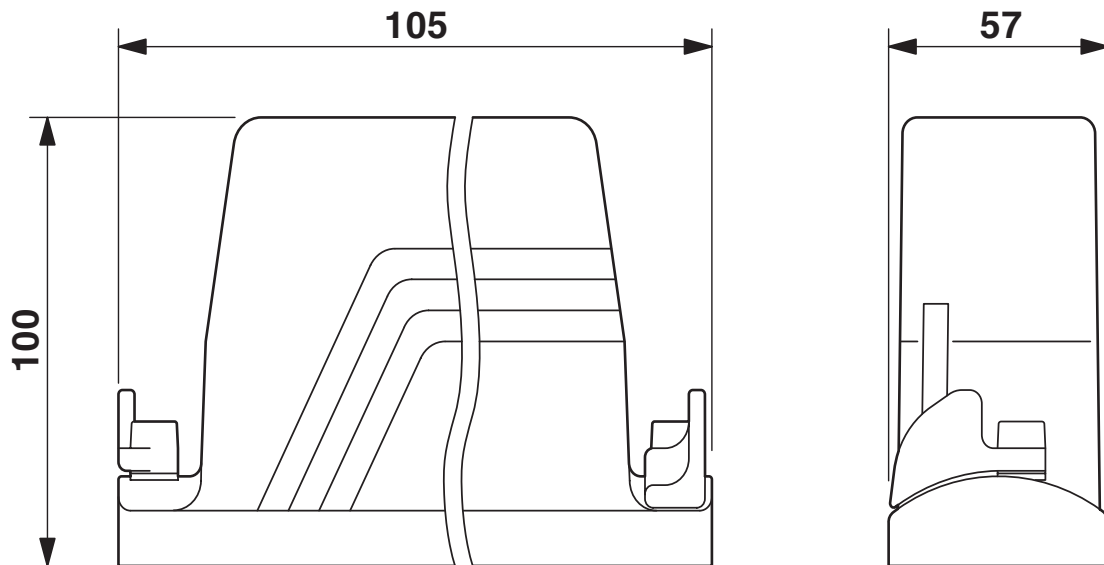
If insulating powder coating is present on the control cabinet panel, it should be removed from the profile gasket area in order to ensure optimum shielding.

1418029

<https://www.phoenixcontact.com/us/products/1418029>

Drawings

Dimensional drawing



Dimensional drawing

Dimensional drawing



Mounting cutout

1) when M4 screws are used

2) when self-tapping Torx® screws are used (Torx® 20, M4)

1418029

<https://www.phoenixcontact.com/us/products/1418029>

Classifications

ECLASS

ECLASS-13.0	27440202
ECLASS-15.0	27440202

1418029

<https://www.phoenixcontact.com/us/products/1418029>

Environmental product compliance

EU RoHS

Fulfills EU RoHS substance requirements	Yes, No exemptions
---	--------------------

China RoHS

Environment friendly use period (EFUP)	EFUP-E
	No hazardous substances above the limits

EU REACH SVHC

REACH candidate substance (CAS No.)	No substance above 0.1 wt%
-------------------------------------	----------------------------

Phoenix Contact 2026 © - all rights reserved
<https://www.phoenixcontact.com>

Phoenix Contact USA
586 Fulling Mill Road
Middletown, PA 17057, United States
(+717) 944-1300
info@phoenixcon.com