

SAC-8P-M12MS/20,0-542/M12FS BK - Sensor/actuator cable



1417916

<https://www.phoenixcontact.com/us/products/1417916>

Please be informed that the data shown in this PDF document is generated from our online catalog. Please find the complete data in the user documentation. Our general terms of use for downloads are valid.



Sensor/actuator cable, 8-position, PVC, yellow, Plug straight M12, coding: A, on Socket straight M12, coding: A, cable length: 20 m

Commercial data

| | |
|--------------------------------------|---------------|
| Item number | 1417916 |
| Packing unit | 1 pc |
| Minimum order quantity | 1 pc |
| Sales key | BF13 |
| Product key | AF1ICD |
| GTIN | 4055626211350 |
| Weight per piece (including packing) | 897.6 g |
| Weight per piece (excluding packing) | 897 g |
| Customs tariff number | 85444290 |
| Country of origin | US |

SAC-8P-M12MS/20,0-542/M12FS BK - Sensor/actuator cable



1417916

<https://www.phoenixcontact.com/us/products/1417916>

Technical data

Product properties

| | |
|----------------------|-----------------------|
| Product type | Sensor/actuator cable |
| Application | Standard, U.S. cables |
| Number of positions | 8 |
| No. of cable outlets | 1 |
| Shielded | no |
| Coding | A |

Insulation characteristics

| | |
|----------------------|----|
| Overvoltage category | II |
| Degree of pollution | 3 |

Material specifications

| | |
|--|---|
| Flammability rating according to UL 94 | HB |
| Seal material | NBR |
| Material of grip body | TPU, hardly inflammable, self-extinguishing |
| Contact material | CuZn |
| Contact surface material | Ni/Au |
| Contact carrier material | TPU GF |
| Material for screw connection | Zinc die-cast, nickel-plated |
| Outer sheath, material | PVC |

Electrical properties

| | |
|-----------------------|----------------------------|
| Insulation resistance | $\geq 100 \text{ M}\Omega$ |
| Nominal voltage U_N | 30 V AC |
| | 30 V DC |
| Nominal current I_N | 2 A |

Mechanical properties

Mechanical data

| | |
|-----------------------------|------------|
| Insertion/withdrawal cycles | ≥ 100 |
|-----------------------------|------------|

Signaling

| | |
|------------------------|----|
| Status display | no |
| Status display present | no |

Connection data

Conductor connection

| | |
|-------------------|------------------------|
| Tightening torque | 0.4 Nm (M12 connector) |
|-------------------|------------------------|

Connector

SAC-8P-M12MS/20,0-542/M12FS BK - Sensor/actuator cable



1417916

<https://www.phoenixcontact.com/us/products/1417916>

Connection 1

| | |
|---------------------|-------------------|
| Type | Plug straight M12 |
| Number of positions | 8 |
| Coding type | A |

Connection 2

| | |
|---------------------|---------------------|
| Type | Socket straight M12 |
| Number of positions | 8 |
| Coding type | A |

Cable/line

| | |
|--------------|------|
| Cable length | 20 m |
|--------------|------|

PVC yellow 105 °C [542]

| | |
|---|---|
| Dimensional drawing |  |
| Cable weight | 44 kg/km |
| UL AWM Style | 2517 (105 °C / 300 V) |
| Number of positions | 8 |
| Shielded | no |
| Cable type | PVC yellow 105 °C [542] |
| Conductor structure signal line | 7x 0.20 mm |
| AWG signal line | 24 |
| Wire diameter incl. insulation | 1.12 mm ±0.03 mm |
| External cable diameter | 5.70 mm ±0.2 mm |
| Outer sheath, material | PVC |
| External sheath, color | yellow |
| Conductor material | Tin-plated Cu litz wires |
| Material, filler | PP |
| Material wire insulation | PVC |
| Single wire, color | white, brown, green, yellow, gray, pink, blue, red |
| Overall twist | 8 wires around filler to the core |
| Max. conductor resistance | max. 79.7 Ω/km (20 °C) |
| Insulation resistance | ≥ (550 M Ohms/m @ 500V) |
| Nominal voltage, cable | 300 V |
| Minimum bending radius, flexible installation | 8 x D |
| Smallest bending radius, movable installation | 46 mm |
| Flame resistance | FT1, VW-1 |

SAC-8P-M12MS/20,0-542/M12FS BK - Sensor/actuator cable



1417916

<https://www.phoenixcontact.com/us/products/1417916>

| | |
|---------------------------------|---|
| Other resistance | UV resistant |
| Ambient temperature (operation) | -30 °C ... 105 °C (cable, fixed installation) |
| | -5 °C ... 105 °C (Cable, flexible installation) |

Environmental and real-life conditions

Ambient conditions

| | |
|---|--|
| Degree of protection | IP65 |
| | IP67 |
| | IP68 |
| Ambient temperature (operation) (male connector/female connector) | -25 °C ... 90 °C (Plug / socket) |
| Ambient temperature (operation) | -40 °C ... 80 °C (cable, fixed installation) |
| Ambient temperature (operation) (Cable, flexible installation) | -5 °C ... 80 °C (Cable, flexible installation) |

Standards and regulations

| | |
|--------------------------|-----------------|
| Standard designation | M12 connector |
| Standards/specifications | IEC 61076-2-101 |

SAC-8P-M12MS/20,0-542/M12FS BK - Sensor/actuator cable

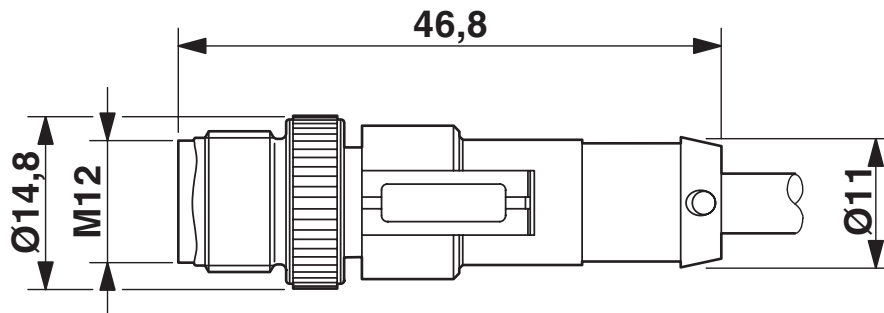


1417916

<https://www.phoenixcontact.com/us/products/1417916>

Drawings

Dimensional drawing



Plug, M12 x 1, straight, shielded

Dimensional drawing



M12 x 1 socket, straight

SAC-8P-M12MS/20,0-542/M12FS BK - Sensor/actuator cable

1417916

<https://www.phoenixcontact.com/us/products/1417916>

Schematic diagram



Pin assignment M12 plug, 8-pos., A-coded, view plug side

Schematic diagram



Pin assignment M12 socket, 8-pos., A-coded, view female side

SAC-8P-M12MS/20,0-542/M12FS BK - Sensor/actuator cable



1417916

<https://www.phoenixcontact.com/us/products/1417916>

Circuit diagram



Contact assignment of the M12 plug and the M12 socket

SAC-8P-M12MS/20,0-542/M12FS BK - Sensor/actuator cable



1417916

<https://www.phoenixcontact.com/us/products/1417916>

Approvals

To download certificates, visit the product detail page: <https://www.phoenixcontact.com/us/products/1417916>

|  UL Listed Approval ID: FILE E 221474 | | | | |
|--|-----------------------|-----------------------|-------------------|-----------------------------|
| | Nominal voltage U_N | Nominal current I_N | Cross section AWG | Cross section mm^2 |
| keine | | | | |
| | 30 V | 2 A | - | - |

|  cUL Listed Approval ID: FILE E 221474 | | | | |
|---|-----------------------|-----------------------|-------------------|-----------------------------|
| | Nominal voltage U_N | Nominal current I_N | Cross section AWG | Cross section mm^2 |
| keine | | | | |
| | 30 V | 2 A | - | - |

SAC-8P-M12MS/20,0-542/M12FS BK - Sensor/actuator cable



1417916

<https://www.phoenixcontact.com/us/products/1417916>

Classifications

ECLASS

| | |
|-------------|----------|
| ECLASS-13.0 | 27060311 |
| ECLASS-15.0 | 27060311 |

ETIM

| | |
|-----------|----------|
| ETIM 10.0 | EC001855 |
|-----------|----------|

UNSPSC

| | |
|-------------|----------|
| UNSPSC 21.0 | 26121600 |
|-------------|----------|

SAC-8P-M12MS/20,0-542/M12FS BK - Sensor/actuator cable



1417916

<https://www.phoenixcontact.com/us/products/1417916>

Environmental product compliance

EU RoHS

| | |
|---|--------------------|
| Fulfills EU RoHS substance requirements | Yes, No exemptions |
|---|--------------------|

China RoHS

| | |
|--|--|
| Environment friendly use period (EFUP) | EFUP-E |
| | No hazardous substances above the limits |

EU REACH SVHC

| | |
|-------------------------------------|----------------------------|
| REACH candidate substance (CAS No.) | No substance above 0.1 wt% |
|-------------------------------------|----------------------------|

EF3.1 Climate Change

| | |
|---------|----------------|
| CO2e kg | 10.033 kg CO2e |
|---------|----------------|

Phoenix Contact 2026 © - all rights reserved
<https://www.phoenixcontact.com>

Phoenix Contact USA
586 Fulling Mill Road
Middletown, PA 17057, United States
(+717) 944-1300
info@phoenixcon.com