

VS-SCRJ-PC-BK - Protective cover



1417840

<https://www.phoenixcontact.com/us/products/1417840>

Please be informed that the data shown in this PDF document is generated from our online catalog. Please find the complete data in the user documentation. Our general terms of use for downloads are valid.

Protective cover, degree of protection: IP67, material: Plastic, color: black



The figure shows the product in gray

Commercial data

Item number	1417840
Packing unit	100 pc
Minimum order quantity	100 pc
Product key	ABNNBZ
GTIN	4055626127217
Weight per piece (including packing)	3.551 g
Weight per piece (excluding packing)	3.551 g
Country of origin	CH

VS-SCRJ-PC-BK - Protective cover

1417840

<https://www.phoenixcontact.com/us/products/1417840>

Technical data

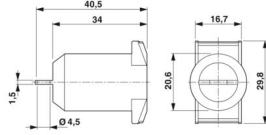
Product properties

Product type	Protective cover
Type	SCRJ
Connection profile	SCRJ

Electrical properties

Transmission medium	FO
---------------------	----

Dimensions

Dimensional drawing	
Width	30 mm
Height	21 mm
Length	40.5 mm

Material specifications

Color	black
Material	Plastic
Flammability rating according to UL 94	V0
Housing material	Plastic

Environmental and real-life conditions

Ambient conditions

Degree of protection	IP67
Ambient temperature (operation)	-40 °C ... 80 °C

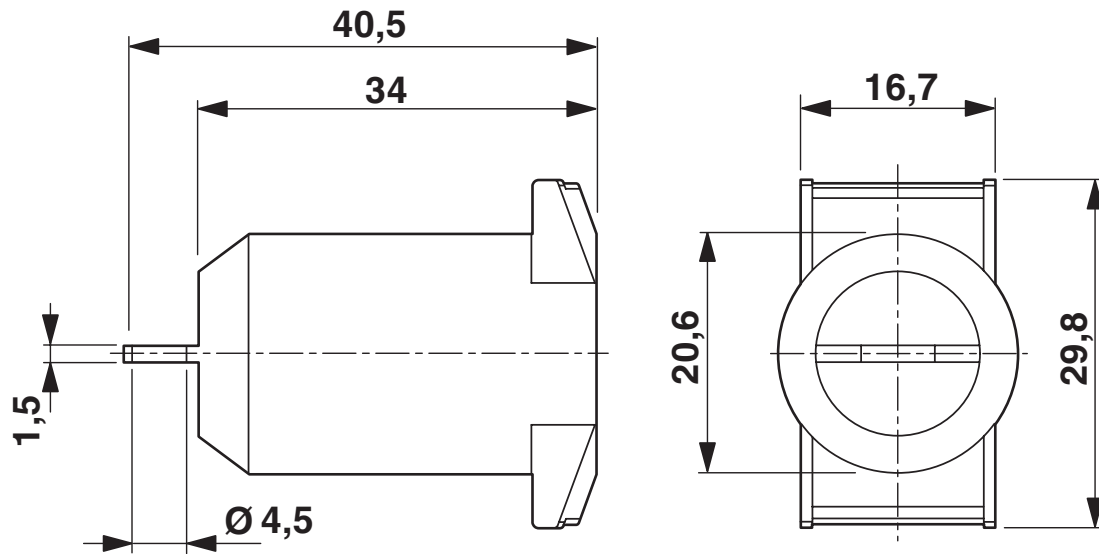
VS-SCRJ-PC-BK - Protective cover

1417840

<https://www.phoenixcontact.com/us/products/1417840>

Drawings

Dimensional drawing



Protective cover, IP67

VS-SCRJ-PC-BK - Protective cover



1417840

<https://www.phoenixcontact.com/us/products/1417840>

Classifications

UNSPSC

UNSPSC 21.0	39121400
-------------	----------

VS-SCRJ-PC-BK - Protective cover



1417840

<https://www.phoenixcontact.com/us/products/1417840>

Environmental product compliance

EU RoHS

Fulfills EU RoHS substance requirements	Yes, No exemptions
---	--------------------

China RoHS

Environment friendly use period (EFUP)	EFUP-E
	No hazardous substances above the limits

EU REACH SVHC

REACH candidate substance (CAS No.)	No substance above 0.1 wt%
-------------------------------------	----------------------------

Phoenix Contact 2026 © - all rights reserved
<https://www.phoenixcontact.com>

Phoenix Contact USA
586 Fulling Mill Road
Middletown, PA 17057, United States
(+717) 944-1300
info@phoenixcon.com