

QPD N 4PE2,5 9-16 BK VPE100 - Nut



1417607

<https://www.phoenixcontact.com/us/products/1417607>

Please be informed that the data shown in this PDF document is generated from our online catalog. Please find the complete data in the user documentation. Our general terms of use for downloads are valid.



Nut, connection method: IDC connection, number of positions: 4+PE, 1 mm² ... 2.5 mm², 690 V, 20 A, PA, black, external cable diameter: 9 mm ... 16 mm

Product description

QUICKON nut, black, 4+PE-pos., 1.0 mm² ... 2.5 mm²/690 V/20 A, for cables with a diameter of 9 mm ... 16 mm.

Your advantages

- Innovative and time saving - QUICKON fast connection for time saving of up to 80 % for on-site connection
- Robust throughout: housing with IP68/IP69K and IK07 protection for a wide range of applications

Commercial data

Item number	1417607
Packing unit	100 pc
Minimum order quantity	100 pc
Product key	AF6UCX
GTIN	4055626117874
Weight per piece (including packing)	30.888 g
Weight per piece (excluding packing)	30.888 g
Country of origin	DE

Technical data

Product properties

Product type	Installation pressure nut
Product family	QPD
Type	QPD 5x2,5
Number of positions	5
Connection profile	4+PE
Position marking	1, 2, 3, N, PE
Number of connections	10

Insulation characteristics

Overvoltage category	III
Degree of pollution	3

Electrical properties

Rated surge voltage (II/2)	8 kV
Rated surge voltage (III/2)	8 kV
Rated surge voltage (III/3)	8 kV
Rated current	20 A
rated voltage (II/2)	1000 V
rated voltage (III/2)	1000 V
Rated voltage (III/3)	690 V
Nominal current I_N	20 A

Connection data

Connection technology

Connection method On the field side	IDC connection
Frequency of connections between conductors of the same cross section	max. 10

Conductor connection

Conductor cross-section flexibel	1 mm ² ... 2.5 mm ²
Conductor cross-section solid	1 mm ² ... 2.5 mm ²
Connection cross section AWG	16 ... 14
Tightening torque Union nut	10 Nm
Wrench size Union nut	27 mm

Material specifications

Color	black (RAL 9005)
Material Housing	PA
Flammability rating according to UL 94	V0
Material wire insulation	PVC/PE/TPE/rubber
Contact carrier material	PA

1417607

<https://www.phoenixcontact.com/us/products/1417607>

Cable/line

Structure of individual litz in acc. with VDE 0295 / smallest wire diameter	VDE 0295 class 1 to 6/min. 0.15 mm
External cable diameter	9 mm ... 16 mm
Wire diameter including insulation	2 mm ... 3.8 mm
Position marking	1, 2, 3, N, PE
Material wire insulation	PVC/PE/TPE/rubber

Environmental and real-life conditions

Ambient conditions

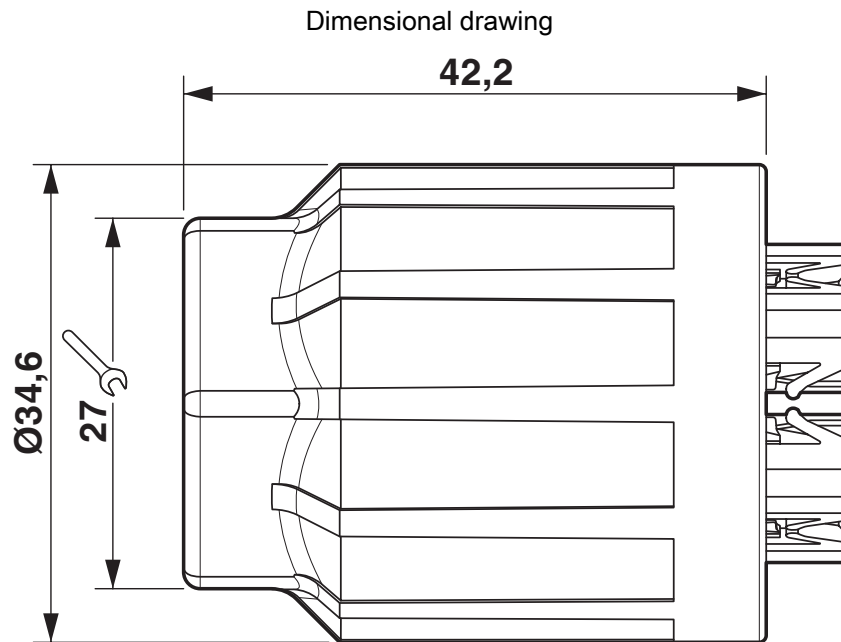
Degree of protection	IP66
	IP68 (2 m / 24 h)
	IP69K
Impact strength	IK07
Ambient temperature (operation)	-40 °C ... 100 °C
Temperature when conductor connected	-5 °C ... 50 °C
Ambient temperature (storage/transport)	-40 °C ... 80 °C

QPD N 4PE2,5 9-16 BK VPE100 - Nut

1417607

<https://www.phoenixcontact.com/us/products/1417607>

Drawings



Dimensional drawing of the QPD nut 5x2,5

QPD N 4PE2,5 9-16 BK VPE100 - Nut



1417607

<https://www.phoenixcontact.com/us/products/1417607>

Classifications

ECLASS

ECLASS-13.0	27440691
ECLASS-15.0	27440691

UNSPSC

UNSPSC 21.0	39121522
-------------	----------

QPD N 4PE2,5 9-16 BK VPE100 - Nut



1417607

<https://www.phoenixcontact.com/us/products/1417607>

Environmental product compliance

EU RoHS

Fulfills EU RoHS substance requirements	Yes, No exemptions
---	--------------------

China RoHS

Environment friendly use period (EFUP)	EFUP-E
	No hazardous substances above the limits

EU REACH SVHC

REACH candidate substance (CAS No.)	No substance above 0.1 wt%
-------------------------------------	----------------------------

Phoenix Contact 2026 © - all rights reserved
<https://www.phoenixcontact.com>

Phoenix Contact USA
586 Fulling Mill Road
Middletown, PA 17057, United States
(+717) 944-1300
info@phoenixcon.com