

SEALING PLUG 14X22 RD VPE500 - Sealing plug



1417603

<https://www.phoenixcontact.com/us/products/1417603>

Please be informed that the data shown in this PDF document is generated from our online catalog. Please find the complete data in the user documentation. Our general terms of use for downloads are valid.



Sealing plug, red

Product description

Sealing plug, for sealing unused bore holes in multiple grommets and cable glands, diameter: 14 mm

Commercial data

Item number	1417603
Packing unit	500 pc
Minimum order quantity	500 pc
Product key	AF7DZX
GTIN	4055626117850
Weight per piece (including packing)	2.387 g
Weight per piece (excluding packing)	2.387 g
Country of origin	DE

SEALING PLUG 14X22 RD VPE500 - Sealing plug



1417603

<https://www.phoenixcontact.com/us/products/1417603>

Technical data

Material specifications

Color	red (RAL 3001)
-------	----------------

Mounting

Assembly note	The head of the sealing plug must still be visible after mounting in the screw connection (see "after mounting" photo).
---------------	---

SEALING PLUG 14X22 RD VPE500 - Sealing plug

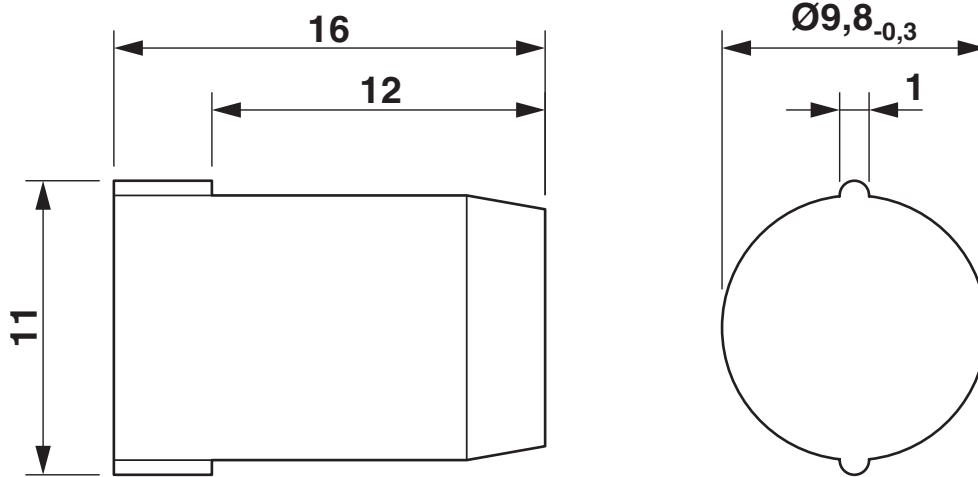


1417603

<https://www.phoenixcontact.com/us/products/1417603>

Drawings

Dimensional drawing



Dimensional drawing

SEALING PLUG 14X22 RD VPE500 - Sealing plug



1417603

<https://www.phoenixcontact.com/us/products/1417603>

Classifications

ECLASS

ECLASS-15.0	27140805
-------------	----------

SEALING PLUG 14X22 RD VPE500 - Sealing plug



1417603

<https://www.phoenixcontact.com/us/products/1417603>

Environmental product compliance

EU RoHS

Fulfills EU RoHS substance requirements	Yes, No exemptions
---	--------------------

China RoHS

Environment friendly use period (EFUP)	EFUP-E
	No hazardous substances above the limits

EU REACH SVHC

REACH candidate substance (CAS No.)	No substance above 0.1 wt%
-------------------------------------	----------------------------

Phoenix Contact 2026 © - all rights reserved
<https://www.phoenixcontact.com>

Phoenix Contact USA
586 Fulling Mill Road
Middletown, PA 17057, United States
(+717) 944-1300
info@phoenixcon.com