

# SACC-E-FSD-4CON-M16/0,5 SCOESD - Bus system flat-type plug



1417576

<https://www.phoenixcontact.com/us/products/1417576>

Please be informed that the data shown in this PDF document is generated from our online catalog. Please find the complete data in the user documentation. Our general terms of use for downloads are valid.



Bus system flush-type socket, PROFINET, 4-pos., M12-SPEEDCON, D-coded, front/screw mounting with M16 thread, with 0.5 m TPE litz wire, 4 x 0.34 mm<sup>2</sup>

## Your advantages

- Preassembled with litz wires for immediate use
- Customer-specific assemblies and litz wire lengths available
- Sealed on the litz wire side for optimum leak-tightness
- All standard pin assignments and codings for signal, data, and power transmission with a uniform design-in design
- For high transmission safety: shield connection to the housing with optional EMC nut
- SPEEDCON fast locking system reduces cabling times

## Commercial data

Item number	1417576
Packing unit	25 pc
Minimum order quantity	25 pc
Product key	ABQYAA
GTIN	4055626117041
Weight per piece (including packing)	20.6 g
Weight per piece (excluding packing)	20.6 g
Country of origin	DE

# SACC-E-FSD-4CON-M16/0,5 SCOESD - Bus system flat-type plug



1417576

<https://www.phoenixcontact.com/us/products/1417576>

## Technical data

### Notes

Notes on operation	The electrical and mechanical data specified assume that the connector pair is correctly locked and mounted. If the connector is unlocked and if there is a danger of contamination, the connector must be sealed using a protective cap > IP54. Influences arising from litz wires, cables or PCB assembly must also be taken into consideration.
Notes on operation	This product corresponds to the PROFINET Cabling and Interconnection Technology Guideline for PROFINET regulations, version 2.00, order no: 2.252, Chapter 8.2 Connectors for Outside Environment (Balanced cabling)

### Mounting

Mounting type	Front mounting
Tightening torque	3 Nm ... 4 Nm (Installation-side)

### Product properties

Product type	Circular connectors (device side)
Number of positions	4
No. of cable outlets	1
Shielded	no
Coding	D

### Insulation characteristics

Overvoltage category	II
Degree of pollution	3

### Material specifications

Flammability rating according to UL 94	V0
Seal material	FKM
Contact material	CuZn
Contact surface material	Ni/Au
Contact carrier material	PA 6.6
Material for screw connection	Zinc die-cast, nickel-plated
Conductor material	Tin-plated Cu litz wires

### Electrical properties

Rated surge voltage	2.5 kV
Contact resistance	≤ 3 mΩ
Insulation resistance	≥ 100 MΩ
Nominal voltage $U_N$	250 V
Nominal current $I_N$	4 A
Transmission medium	Copper

# SACC-E-FSD-4CON-M16/0,5 SCOESD - Bus system flat-type plug



1417576

<https://www.phoenixcontact.com/us/products/1417576>

Transmission characteristics (category)	CAT5 (IEC 11801:2002)
Max. conductor resistance	57.6 $\Omega$ /km

## Connection data

### Conductor connection

Connection method	Individual wires
Tightening torque	3 Nm ... 4 Nm (Installation-side)

## Mechanical properties

### Mechanical data

Insertion/withdrawal cycles	> 100
-----------------------------	-------

## Connector

### Connection 1

Head design	Socket
Head cable outlet	straight
Head thread type	M12
Head locking type	SPEEDCON
Coding	D

## Cable/line

Cable length	0.5 m
Cable type	TPE litz wire
Signal type/category	PROFINET CAT5 (IEC 11801:2002)
Wire diameter incl. insulation	1.2 mm $\pm$ 0.07 mm
Single wire, color	yellow, orange, white, blue
Cable cross section	0.34 mm <sup>2</sup>
Conductor material	Tin-plated Cu litz wires
Conductor structure signal line	7x 0.25 mm
AWG signal line	22
Material wire insulation	TPE
Thickness, insulation	0.21 mm (Core insulation)
Nominal voltage, cable	300 V
Test voltage, cable	2000 V AC
Cable resistance	$\leq$ 57.6 $\Omega$ /km
Cable insulation resistance	$\geq$ 20 M $\Omega$ *km
Ambient temperature (operation)	-40 °C ... 85 °C (cable, fixed installation) -25 °C ... 85 °C (Cable, flexible installation)

## Environmental and real-life conditions

### Ambient conditions

# SACC-E-FSD-4CON-M16/0,5 SCOESD - Bus system flat-type plug



1417576

<https://www.phoenixcontact.com/us/products/1417576>

Degree of protection	IP67
	IP65/IP67
Ambient temperature (operation) (male connector/female connector)	-25 °C ... 85 °C (Plug / socket)
Ambient temperature (operation) (fixed installation)	-40 °C ... 85 °C (without mechanical actuation)
Ambient temperature (operation) (Cable, flexible installation)	-25 °C ... 85 °C (Cable, flexible installation)
Ambient temperature (operation) (Cable, fixed installation)	-40 °C ... 85 °C (cable, fixed installation)

## Standards and regulations

M12

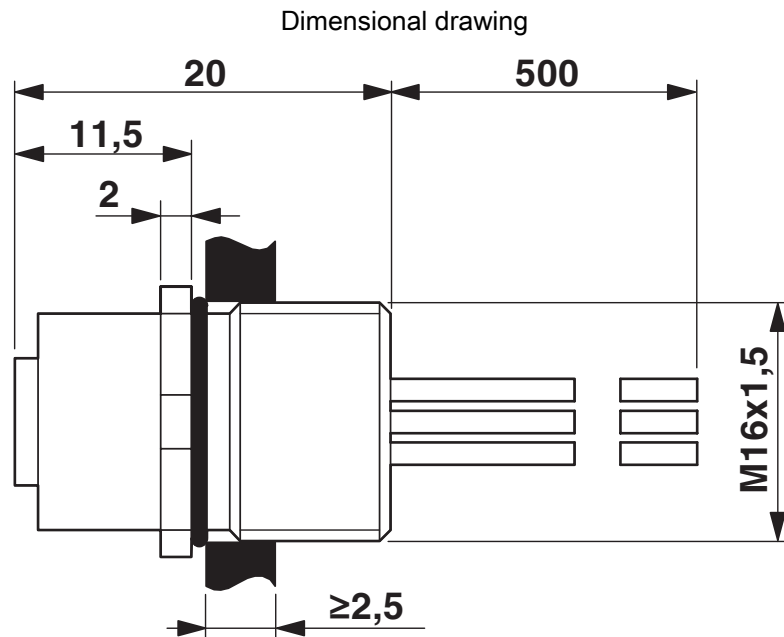
Standard designation	M12 connector
Standards/specifications	according to IEC 61076-2-101

# SACC-E-FSD-4CON-M16/0,5 SCOESD - Bus system flat-type plug

1417576

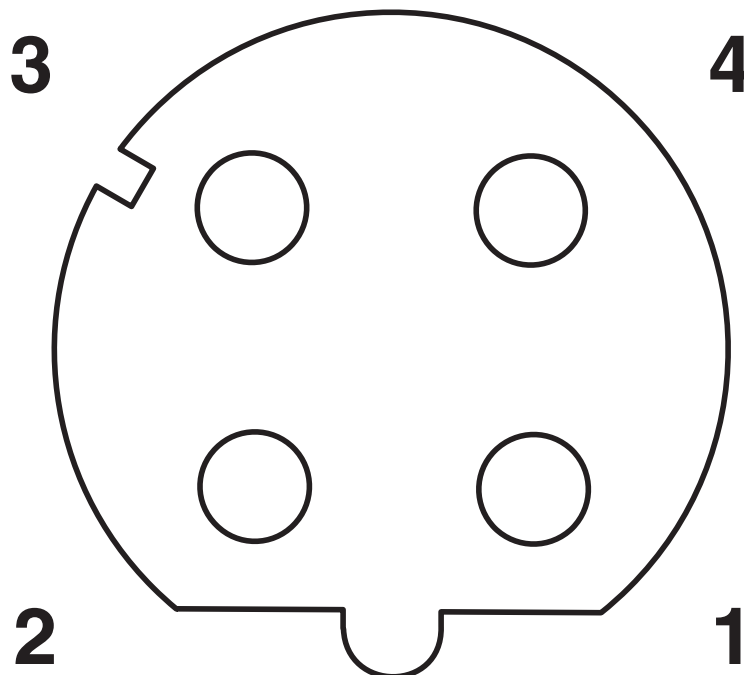
<https://www.phoenixcontact.com/us/products/1417576>

## Drawings



M12 flush-type connector

Schematic diagram



Pin assignment M12 socket, 4-pos., D-coded, female side

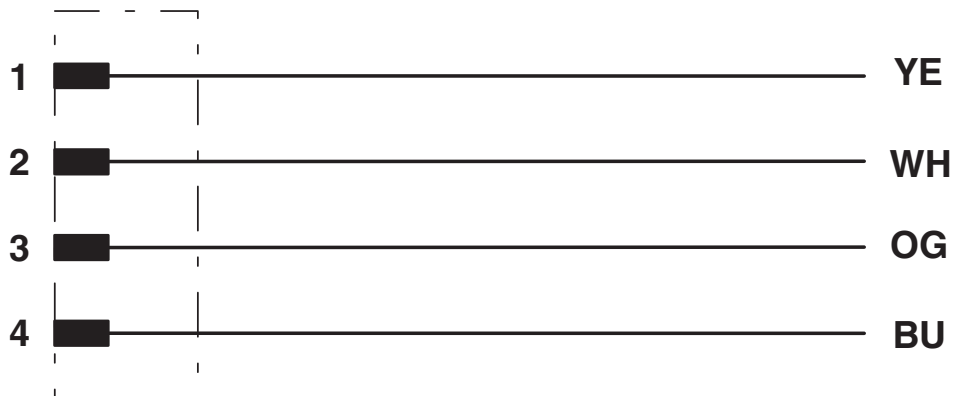
# SACC-E-FSD-4CON-M16/0,5 SCOESD - Bus system flat-type plug



1417576

<https://www.phoenixcontact.com/us/products/1417576>

## Circuit diagram



Contact assignment of the M12 socket

# SACC-E-FSD-4CON-M16/0,5 SCOESD - Bus system flat-type plug



1417576

<https://www.phoenixcontact.com/us/products/1417576>

## Classifications

### UNSPSC

UNSPSC 21.0	39121413
-------------	----------

# SACC-E-FSD-4CON-M16/0,5 SCOESD - Bus system flat-type plug



1417576

<https://www.phoenixcontact.com/us/products/1417576>

## Environmental product compliance

### EU RoHS

Fulfills EU RoHS substance requirements	Yes, No exemptions
---	--------------------

### China RoHS

Environment friendly use period (EFUP)	EFUP-E
	No hazardous substances above the limits

### EU REACH SVHC

REACH candidate substance (CAS No.)	No substance above 0.1 wt%
-------------------------------------	----------------------------

Phoenix Contact 2026 © - all rights reserved  
<https://www.phoenixcontact.com>

Phoenix Contact USA  
586 Fulling Mill Road  
Middletown, PA 17057, United States  
(+717) 944-1300  
[info@phoenixcon.com](mailto:info@phoenixcon.com)