

# HC-M-03-PN-M-F - Contact insert module



1417433

<https://www.phoenixcontact.com/us/products/1417433>

Please be informed that the data shown in this PDF document is generated from our online catalog. Please find the complete data in the user documentation. Our general terms of use for downloads are valid.



Contact insert module, number of positions: 3, Socket, Pin, application: Pneumatics, for internal hose diameter of 1.6 / 3 / 4 mm

## Commercial data

Item number	1417433
Packing unit	5 pc
Minimum order quantity	1 pc
Sales key	BF62
Product key	AF7ACE
GTIN	4055626112947
Weight per piece (including packing)	5.9 g
Weight per piece (excluding packing)	5.62 g
Customs tariff number	85389099
Country of origin	PL

# HC-M-03-PN-M-F - Contact insert module



1417433

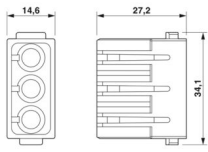
<https://www.phoenixcontact.com/us/products/1417433>

## Technical data

### Product properties

Product type	Pneumatic insert, modular
Series	HC-M-03-PN
Application	Pneumatics
Number of positions	3
Connection profile	3
Contact numbering	1 - 3
Number of module slots	1
Integrated valve	No

### Dimensions

Dimensional drawing	
Width	34.1 mm
Height	27.2 mm
Length	14.6 mm

### Mechanical characteristics

Internal diameter of pressure hose connection	1.6 mm
	3 mm
	4 mm
Contact diameter	5.2 mm

### Material specifications

Flammability rating according to UL 94	V0
Contact carrier material	PC
Standards/regulations	PC

### Mechanical properties

#### Mechanical data

Insertion/withdrawal cycles	≥ 500
-----------------------------	-------

### Environmental and real-life conditions

#### Ambient conditions

Ambient temperature (operation)	-40 °C ... 80 °C
---------------------------------	------------------

### Standards and regulations

#### Testing

# HC-M-03-PN-M-F - Contact insert module



1417433

<https://www.phoenixcontact.com/us/products/1417433>

Standards/regulations	PC: Fire protection in rail vehicles - requirement sets R22, R23, and R24 acc. to DIN EN 45545-2 (Risk level HL1 - HL3)
-----------------------	---

## Mounting

Assembly note	<p>To ensure correct use, installation in housing with IP54 protection or better is required</p> <ul style="list-style-type: none"><li>- Snap the pneumatic contact and module together. Insert the contact into the module from the front</li><li>- Place the modules assembled with the contacts in the module carrier frame.</li><li>- The pneumatic tubes are pushed onto the pneumatic contact from the back of the module.</li></ul> <p>The medium-sized module slots and sleeves/coupling housing with straight cable outlet direction are recommended.</p>
---------------	--

# HC-M-03-PN-M-F - Contact insert module

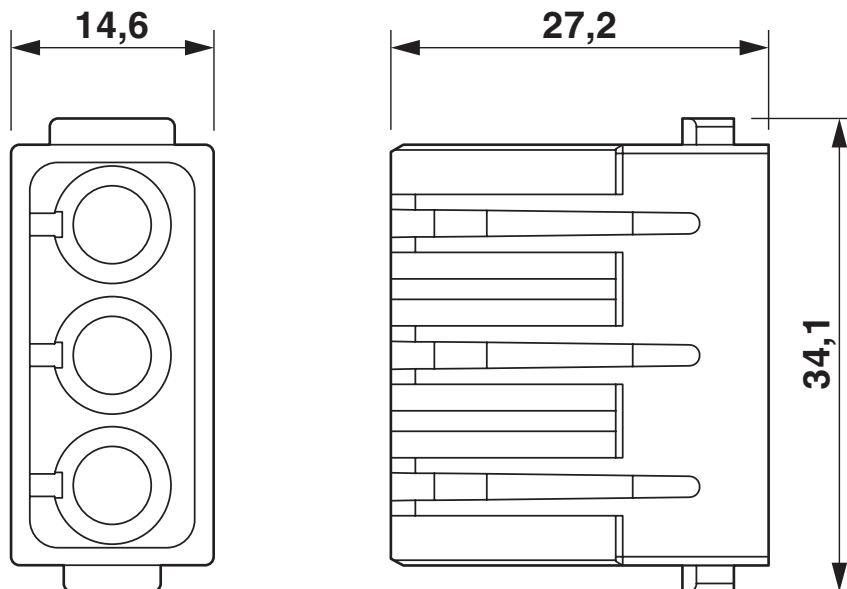


1417433

<https://www.phoenixcontact.com/us/products/1417433>

## Drawings

Dimensional drawing



# HC-M-03-PN-M-F - Contact insert module



1417433

<https://www.phoenixcontact.com/us/products/1417433>

## Approvals

To download certificates, visit the product detail page: <https://www.phoenixcontact.com/us/products/1417433>



**CSA**

Approval ID: 158887



**UL Recognized**

Approval ID: E118976

# HC-M-03-PN-M-F - Contact insert module



1417433

<https://www.phoenixcontact.com/us/products/1417433>

## Classifications

### ECLASS

ECLASS-13.0	27440220
ECLASS-15.0	27440220

### ETIM

ETIM 10.0	EC000438
-----------	----------

### UNSPSC

UNSPSC 21.0	39121400
-------------	----------

# HC-M-03-PN-M-F - Contact insert module



1417433

<https://www.phoenixcontact.com/us/products/1417433>

## Environmental product compliance

### EU RoHS

Fulfills EU RoHS substance requirements	Yes, No exemptions
---	--------------------

### China RoHS

Environment friendly use period (EFUP)	EFUP-E
	No hazardous substances above the limits

### EU REACH SVHC

REACH candidate substance (CAS No.)	No substance above 0.1 wt%
-------------------------------------	----------------------------

### EF3.1 Climate Change

CO2e kg	0.03 kg CO2e
---------	--------------

Phoenix Contact 2026 © - all rights reserved  
<https://www.phoenixcontact.com>

Phoenix Contact USA  
586 Fulling Mill Road  
Middletown, PA 17057, United States  
(+717) 944-1300  
[info@phoenixcon.com](mailto:info@phoenixcon.com)