

HC-M-02-EMC-F - Contact insert module



1417376

<https://www.phoenixcontact.com/us/products/1417376>

Please be informed that the data shown in this PDF document is generated from our online catalog. Please find the complete data in the user documentation. Our general terms of use for downloads are valid.



Contact insert module, number of positions: 2, Socket, Crimp connection, 48 V, 10 A, 0.14 mm² .. 2.5 mm², application: Data/signal, for using two EMC connectors (female connector), number of positions: 1, 4, 8

Commercial data

| | |
|--------------------------------------|---------------|
| Item number | 1417376 |
| Packing unit | 2 pc |
| Minimum order quantity | 2 pc |
| Sales key | BF62 |
| Product key | AF7ACE |
| GTIN | 4055626112572 |
| Weight per piece (including packing) | 13.925 g |
| Weight per piece (excluding packing) | 13.25 g |
| Customs tariff number | 85389099 |
| Country of origin | PL |

HC-M-02-EMC-F - Contact insert module

1417376

<https://www.phoenixcontact.com/us/products/1417376>

Technical data

Product properties

| | |
|------------------------|---------------------|
| Product type | EMC insert, modular |
| Series | HC-M-EMV |
| Application | Data/signal |
| Number of positions | 2 |
| Connection profile | 2 |
| Contact numbering | 1 - 2 |
| No. of cable outlets | 2 |
| Number of module slots | 2 |
| Number of slots | 2 |
| Contact material type | turned |
| | rolled |
| Shielded | no |

Insulation characteristics

| | |
|----------------------|-----|
| Overvoltage category | III |
| Degree of pollution | 3 |

Electrical properties

| | |
|-----------------------|--------|
| Rated voltage (III/3) | 48 V |
| Rated surge voltage | 0.8 kV |
| Rated current | 10 A |

Connection data

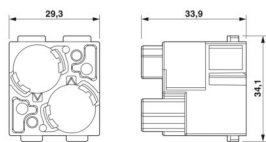
Connection technology

| | |
|-----------------------|------------------|
| Connection technology | Crimp connection |
|-----------------------|------------------|

Conductor connection

| | |
|-------------------------|--|
| Conductor cross-section | 0.14 mm ² ... 2.5 mm ² |
|-------------------------|--|

Dimensions

| | |
|---------------------|--|
| Dimensional drawing |  |
| Width | 34.2 mm |
| Height | 34 mm |
| Length | 29.4 mm |

Mechanical characteristics

| | |
|------------------------|-------|
| Minimum housing height | 72 mm |
|------------------------|-------|

HC-M-02-EMC-F - Contact insert module



1417376

<https://www.phoenixcontact.com/us/products/1417376>

| | |
|------------------|--------|
| Contact diameter | 1.6 mm |
|------------------|--------|

Material specifications

| | |
|--|------------------------|
| Material Line conductor | Zinc alloy |
| Flammability rating according to UL 94 | V0 |
| Contact material | Copper alloy |
| Contact surface material | Ag (power)/Au (signal) |
| Contact carrier material | PC |
| Standards/regulations | PC |

Mechanical properties

Mechanical data

| | |
|-----------------------------|-------|
| Insertion/withdrawal cycles | ≥ 500 |
|-----------------------------|-------|

Environmental and real-life conditions

Ambient conditions

| | |
|---------------------------------|-------------------|
| Ambient temperature (operation) | -40 °C ... 125 °C |
|---------------------------------|-------------------|

Standards and regulations

Testing

| | |
|-----------------------|---|
| Standards/regulations | PC: Fire protection in rail vehicles - requirement sets R22, R23, and R24 acc. to DIN EN 45545-2 (Risk level HL1 - HL3) |
|-----------------------|---|

Mounting

| | |
|---------------|---|
| Assembly note | To ensure correct use, installation in housing with IP54 protection or better is required |
| | Plastic module for the HC-M-EMV-BU/3-9.5 EMC connector |

HC-M-02-EMC-F - Contact insert module

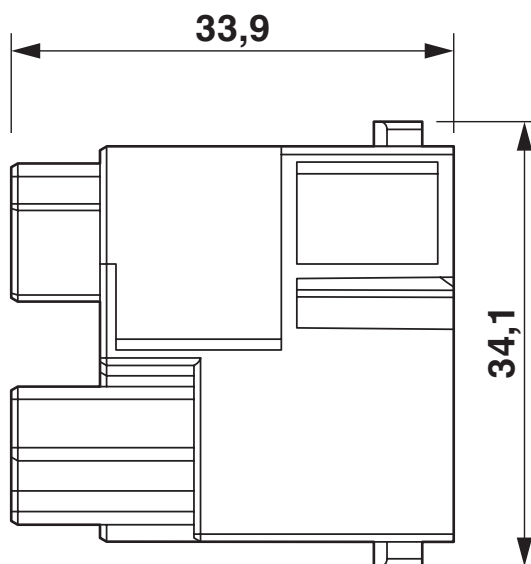
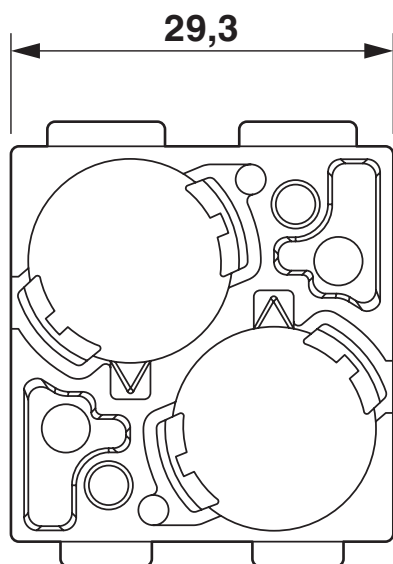


1417376

<https://www.phoenixcontact.com/us/products/1417376>

Drawings

Dimensional drawing



Female insert

HC-M-02-EMC-F - Contact insert module



1417376

<https://www.phoenixcontact.com/us/products/1417376>

Approvals

To download certificates, visit the product detail page: <https://www.phoenixcontact.com/us/products/1417376>



CSA

Approval ID: 158887



UL Recognized

Approval ID: E118976

HC-M-02-EMC-F - Contact insert module



1417376

<https://www.phoenixcontact.com/us/products/1417376>

Classifications

ECLASS

| | |
|-------------|----------|
| ECLASS-13.0 | 27440218 |
| ECLASS-15.0 | 27440207 |

ETIM

| | |
|-----------|----------|
| ETIM 10.0 | EC002943 |
|-----------|----------|

UNSPSC

| | |
|-------------|----------|
| UNSPSC 21.0 | 39121400 |
|-------------|----------|

HC-M-02-EMC-F - Contact insert module



1417376

<https://www.phoenixcontact.com/us/products/1417376>

Environmental product compliance

EU RoHS

| | |
|---|--------------------|
| Fulfills EU RoHS substance requirements | Yes, No exemptions |
|---|--------------------|

China RoHS

| | |
|--|--|
| Environment friendly use period (EFUP) | EFUP-E |
| | No hazardous substances above the limits |

EU REACH SVHC

| | |
|-------------------------------------|----------------------------|
| REACH candidate substance (CAS No.) | No substance above 0.1 wt% |
|-------------------------------------|----------------------------|

EF3.1 Climate Change

| | |
|---------|---------------|
| CO2e kg | 0.066 kg CO2e |
|---------|---------------|

Phoenix Contact 2026 © - all rights reserved
<https://www.phoenixcontact.com>

Phoenix Contact USA
586 Fulling Mill Road
Middletown, PA 17057, United States
(+717) 944-1300
info@phoenixcon.com