

# HC-M-02-EMC-M - Contact insert module



1417374

<https://www.phoenixcontact.com/us/products/1417374>

Please be informed that the data shown in this PDF document is generated from our online catalog. Please find the complete data in the user documentation. Our general terms of use for downloads are valid.



Contact insert module, number of positions: 2, Pin, Crimp connection, 48 V, 10 A, 0.14 mm<sup>2</sup> ... 2.5 mm<sup>2</sup>, application: Data/signal, for using two EMC connectors (pin), number of positions: 1, 4, 8

## Commercial data

Item number	1417374
Packing unit	2 pc
Minimum order quantity	2 pc
Sales key	BF62
Product key	AF7ACE
GTIN	4055626112565
Weight per piece (including packing)	15 g
Weight per piece (excluding packing)	13.75 g
Customs tariff number	85389099
Country of origin	PL

# HC-M-02-EMC-M - Contact insert module

1417374

<https://www.phoenixcontact.com/us/products/1417374>

## Technical data

### Product properties

Product type	EMC insert, modular
Series	HC-M-EMV
Application	Data/signal
Number of positions	2
Connection profile	2
Contact numbering	1 - 2
No. of cable outlets	2
Number of module slots	2
Number of slots	2
Contact material type	turned
	rolled
Shielded	no

### Insulation characteristics

Overvoltage category	III
Degree of pollution	3

### Electrical properties

Rated voltage (III/3)	48 V
Rated surge voltage	0.8 kV
Rated current	10 A

### Connection data

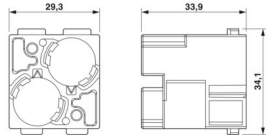
#### Connection technology

Connection technology	Crimp connection
-----------------------	------------------

#### Conductor connection

Conductor cross-section	0.14 mm <sup>2</sup> ... 2.5 mm <sup>2</sup>
-------------------------	--

### Dimensions

Dimensional drawing	
Width	34.2 mm
Height	34 mm
Length	29.4 mm

### Mechanical characteristics

Minimum housing height	72 mm
------------------------	-------

# HC-M-02-EMC-M - Contact insert module



1417374

<https://www.phoenixcontact.com/us/products/1417374>

Contact diameter	1.6 mm
------------------	--------

## Material specifications

Material Line conductor	Zinc alloy
Flammability rating according to UL 94	V0
Contact material	Copper alloy
Contact surface material	Ag (power)/Au (signal)
Contact carrier material	PC
Standards/regulations	PC

## Mechanical properties

### Mechanical data

Insertion/withdrawal cycles	≥ 500
-----------------------------	-------

## Environmental and real-life conditions

### Ambient conditions

Ambient temperature (operation)	-40 °C ... 125 °C
---------------------------------	-------------------

## Standards and regulations

### Testing

Standards/regulations	PC: Fire protection in rail vehicles - requirement sets R22, R23, and R24 acc. to DIN EN 45545-2 (Risk level HL1 - HL3)
-----------------------	---

## Mounting

Assembly note	To ensure correct use, installation in housing with IP54 protection or better is required
	Plastic module for the HC-M-EMV-ST/3-9.5 EMC connector

# HC-M-02-EMC-M - Contact insert module

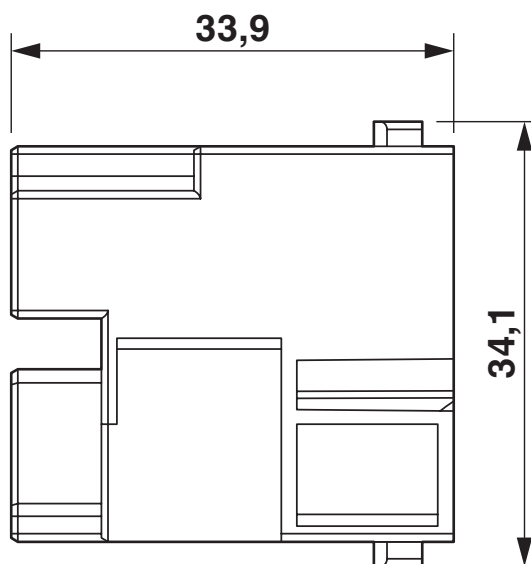
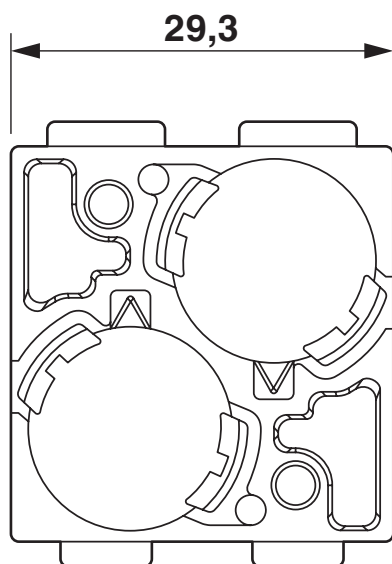


1417374

<https://www.phoenixcontact.com/us/products/1417374>

## Drawings

Dimensional drawing



Male insert

# HC-M-02-EMC-M - Contact insert module



1417374

<https://www.phoenixcontact.com/us/products/1417374>

## Approvals

To download certificates, visit the product detail page: <https://www.phoenixcontact.com/us/products/1417374>



**CSA**

Approval ID: 158887



**UL Recognized**

Approval ID: E118976



**EAC**

Approval ID: RU C-DE.AI30.B.01102

# HC-M-02-EMC-M - Contact insert module



1417374

<https://www.phoenixcontact.com/us/products/1417374>

## Classifications

### ECLASS

ECLASS-13.0	27440218
ECLASS-15.0	27440207

### ETIM

ETIM 10.0	EC000438
-----------	----------

### UNSPSC

UNSPSC 21.0	39121400
-------------	----------

# HC-M-02-EMC-M - Contact insert module



1417374

<https://www.phoenixcontact.com/us/products/1417374>

## Environmental product compliance

### EU RoHS

Fulfills EU RoHS substance requirements	Yes, No exemptions
---	--------------------

### China RoHS

Environment friendly use period (EFUP)	EFUP-E
	No hazardous substances above the limits

### EU REACH SVHC

REACH candidate substance (CAS No.)	No substance above 0.1 wt%
-------------------------------------	----------------------------

### EF3.1 Climate Change

CO2e kg	0.068 kg CO2e
---------	---------------

Phoenix Contact 2026 © - all rights reserved  
<https://www.phoenixcontact.com>

Phoenix Contact USA  
586 Fulling Mill Road  
Middletown, PA 17057, United States  
(+717) 944-1300  
[info@phoenixcon.com](mailto:info@phoenixcon.com)