

# HC-M-DSUB 09-UT-F - Contact insert module



1417307

<https://www.phoenixcontact.com/us/products/1417307>

Please be informed that the data shown in this PDF document is generated from our online catalog. Please find the complete data in the user documentation. Our general terms of use for downloads are valid.



Contact insert module, number of positions: 9, type : D-SUB 9, Socket, Screw connection, 48 V, 1 A, 0.08 mm<sup>2</sup> ... 0.5 mm<sup>2</sup>, application: Data

## Commercial data

Item number	1417307
Packing unit	1 pc
Minimum order quantity	1 pc
Sales key	BF62
Product key	AF7ACE
GTIN	4055626112497
Weight per piece (including packing)	40 g
Weight per piece (excluding packing)	35 g
Customs tariff number	85389099
Country of origin	CN

# HC-M-DSUB 09-UT-F - Contact insert module



1417307

<https://www.phoenixcontact.com/us/products/1417307>

## Technical data

### Notes

General	For HEAVYCON housing type B6 to B48, HC-M-B...MF... module carrier frame required
General	Connectors may be operated only when there is no load/voltage.
General	The use of guide pins (HC-CST) and sockets (HC-CBU) is recommended to prevent tip collision due to misalignment.

### Mounting

Assembly note	To ensure correct use, installation in housing with IP54 protection or better is required
	Signal A is pin 8, signal B is pin 3, T-functionality with branch lines according to IEC 61156 up to 1.5 Mbaud

### Product properties

Product type	Modular contact insert
Series	HC-M-DSUB-U
Application	Data
Number of positions	9
Connection profile	9
Contact numbering	1 - 9
No. of cable outlets	1
Number of module slots	1
Contact material type	turned

### Insulation characteristics

Overvoltage category	III
Degree of pollution	3

### Connection data

#### Connection technology

Connection technology	Screw connection
Clamping range of the strain relief clip	4.00 mm ... 7.00 mm

#### Conductor connection

Conductor cross-section	0.08 mm <sup>2</sup> ... 0.5 mm <sup>2</sup>
Connection cross section AWG	28 ... 20
Tightening torque	0.03 Nm ... 0.05 Nm
Stripping length of the individual wire	4.2 mm

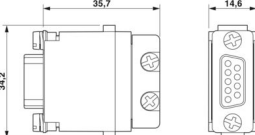
### Dimensions

# HC-M-DSUB 09-UT-F - Contact insert module



1417307

<https://www.phoenixcontact.com/us/products/1417307>

Dimensional drawing	
Width	34.2 mm
Height	35.7 mm
Length	14.6 mm
Clamping range of the strain relief clip	4.00 mm ... 7.00 mm

## Mechanical characteristics

Minimum housing height	72 mm
Contact diameter	1 mm

## Electrical properties

Rated voltage (III/3)	48 V (D-SUB)
Rated surge voltage	0.8 kV
Rated current	1 A
Transmission characteristics (category)	shielded data cable

## Mechanical properties

### Mechanical data

Insertion/withdrawal cycles	≥ 500
-----------------------------	-------

## Material specifications

Material Line conductor	Zinc alloy
Flammability rating according to UL 94	V0
Contact material	Copper alloy
Contact surface material	Ag
Contact carrier material	PC
Standards/regulations	PC PC

## Environmental and real-life conditions

### Ambient conditions

Ambient temperature (operation)	-40 °C ... 125 °C
---------------------------------	-------------------

## Standards and regulations

### Testing

Standards/regulations	PC: Fire protection in rail vehicles - requirement set R22 acc. to DIN EN 45545-2 (Risk level HL1 - HL2) PC: Fire protection in rail vehicles - requirement set R23 acc. to DIN EN 45545-2 (Risk level HL1 - HL3)
-----------------------	--

# HC-M-DSUB 09-UT-F - Contact insert module

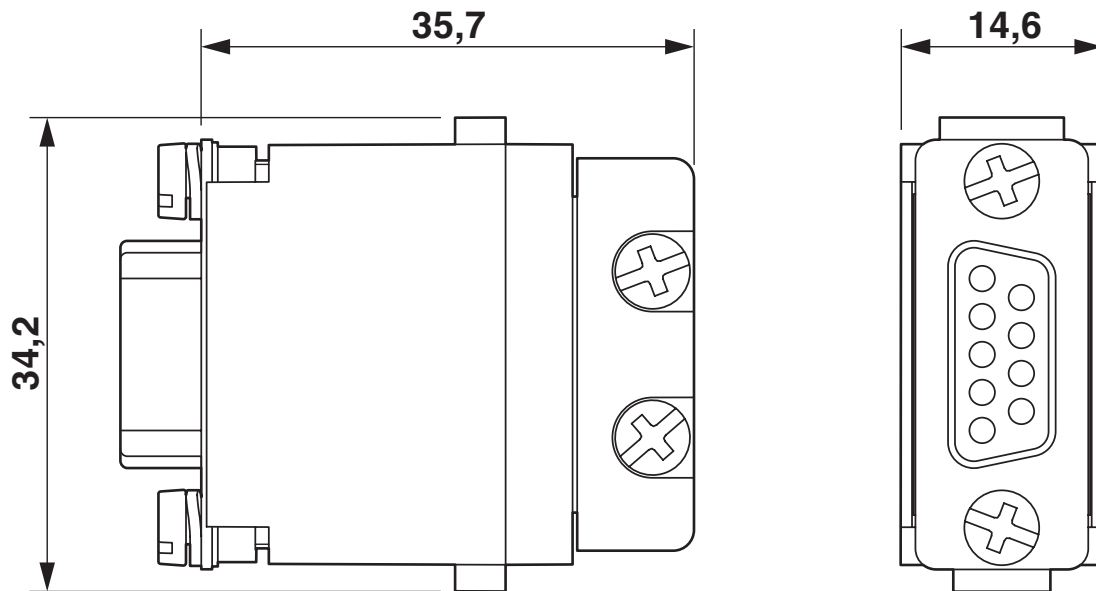
1417307

<https://www.phoenixcontact.com/us/products/1417307>



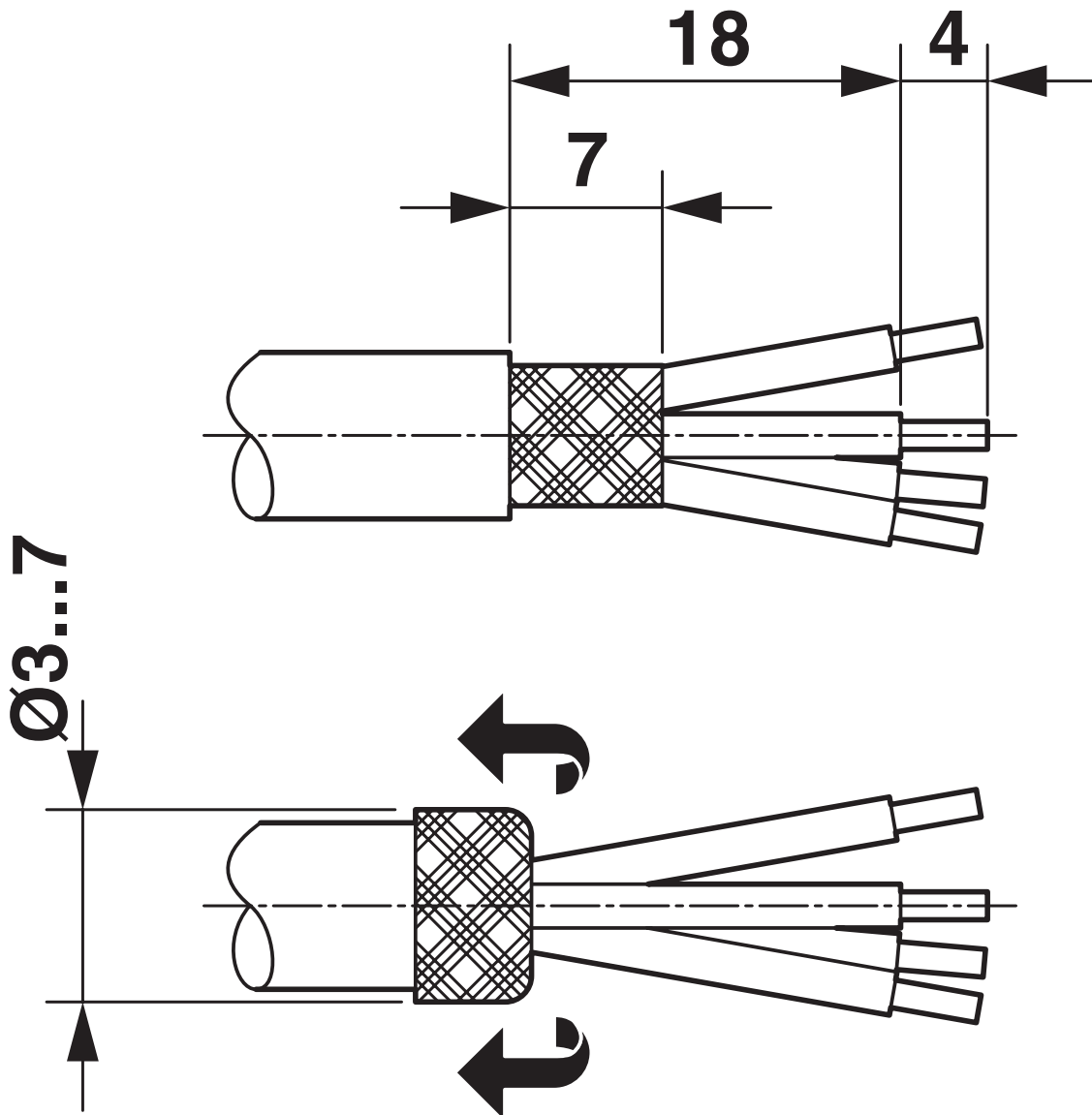
## Drawings

Dimensional drawing



Female insert

Dimensional drawing



Stripping length specifications; pin assignment. Cable to be used: Order No. 14164457

# HC-M-DSUB 09-UT-F - Contact insert module



1417307

<https://www.phoenixcontact.com/us/products/1417307>

## Approvals

🔗 To download certificates, visit the product detail page: <https://www.phoenixcontact.com/us/products/1417307>

**DNV**

Approval ID: TAE000037S

# HC-M-DSUB 09-UT-F - Contact insert module



1417307

<https://www.phoenixcontact.com/us/products/1417307>

## Classifications

### ECLASS

ECLASS-13.0	27440218
ECLASS-15.0	27440218

### ETIM

ETIM 10.0	EC000438
-----------	----------

### UNSPSC

UNSPSC 21.0	39121400
-------------	----------

# HC-M-DSUB 09-UT-F - Contact insert module



1417307

<https://www.phoenixcontact.com/us/products/1417307>

## Environmental product compliance

### EU RoHS

Fulfills EU RoHS substance requirements	Yes, No exemptions
---	--------------------

### China RoHS

Environment friendly use period (EFUP)	EFUP-E
	No hazardous substances above the limits

### EU REACH SVHC

REACH candidate substance (CAS No.)	No substance above 0.1 wt%
-------------------------------------	----------------------------

Phoenix Contact 2026 © - all rights reserved  
<https://www.phoenixcontact.com>

Phoenix Contact USA  
586 Fulling Mill Road  
Middletown, PA 17057, United States  
(+717) 944-1300  
[info@phoenixcon.com](mailto:info@phoenixcon.com)