

SAC-8P-M 8MR/ 0,5-PUR - Sensor/actuator cable



1417295

<https://www.phoenixcontact.com/us/products/1417295>

Please be informed that the data shown in this PDF document is generated from our online catalog. Please find the complete data in the user documentation. Our general terms of use for downloads are valid.



Sensor/actuator cable, 8-pos., PUR, halogen-free, black gray RAL 7021, angled M8 connector to free cable end, cable length: 0.5 m

Your advantages

- Easy and safe: 100 % electrically tested plug-in components

Commercial data

Item number	1417295
Packing unit	1 pc
Minimum order quantity	1 pc
Note	Made to order (non-returnable)
Product key	AF1BGA
GTIN	4055626089225
Weight per piece (including packing)	23.6 g
Weight per piece (excluding packing)	22.9 g
Country of origin	PL

SAC-8P-M 8MR/ 0,5-PUR - Sensor/actuator cable



1417295

<https://www.phoenixcontact.com/us/products/1417295>

Technical data

Product properties

Product type	Sensor/actuator cable
Application	Standard
Number of positions	8
No. of cable outlets	1
Shielded	no
Coding	A

Insulation characteristics

Degree of pollution	3
---------------------	---

Material specifications

Flammability rating according to UL 94	HB
--	----

Electrical properties

Nominal voltage U_N	30 V AC
	30 V DC
Nominal current I_N	1.5 A

Mechanical properties

Mechanical data

Insertion/withdrawal cycles	≥ 100
-----------------------------	------------

Signaling

Status display	no
Status display present	no

Connection data

Conductor connection

Tightening torque	0.2 Nm (M8 connectors)
-------------------	------------------------

Connector

Connection 1

Type	Plug angled M8
Number of positions	8
Coding type	A

Connection 2

Type	Socket angled M8
Number of positions	8


Cable/line

SAC-8P-M 8MR/ 0,5-PUR - Sensor/actuator cable

1417295

<https://www.phoenixcontact.com/us/products/1417295>

PUR halogen-free black [PUR]

Dimensional drawing	
Cable weight	31.4 kg/km
UL AWM Style	20549
Number of positions	8
Shielded	no
Cable type	PUR halogen-free black [PUR]
Conductor structure signal line	18x 0.10 mm
AWG signal line	26
Conductor cross-section	8x 0.14 mm ² (Signal line)
Wire diameter incl. insulation	1 mm ±0.02 mm (Signal line)
External cable diameter	5.10 mm ±0.15 mm
Outer sheath, material	PUR
External sheath, color	black-gray RAL 7021
Conductor material	Bare Cu litz wires
Material, filler	PE
Material wire insulation	PP
Single wire, color	white, brown, green, yellow, gray, pink, blue, red
Thickness, insulation	≥ 0.21 mm (Signal line) ≥ 0.38 mm (Outer cable sheath)
Overall twist	8 wires around filler to the core
Length of twist, overall twist	58 mm
Max. conductor resistance	139 Ω/km (at 20 °C)
Insulation resistance	1 GΩ*km (at 20 °C)
Nominal voltage, cable	≤ 300 V AC
Test voltage	≥ 3000 V AC (Spark test)
Minimum bending radius, fixed installation	5 x D
Minimum bending radius, flexible installation	10 x D
Smallest bending radius, fixed installation	25.5 mm
Smallest bending radius, movable installation	51 mm
Dynamic load capacity (bending)	Max. bending cycles: 4000000, Bending radius: 51 mm, Traversing path: 10 m, Traversing rate: 3 m/s, Acceleration: 10 m/s ²
Halogen-free	in accordance with DIN VDE 0472 part 815 in accordance with DIN EN 50267-2-1
Flame resistance	according to UL 758/1581 (horizontal) in accordance with UL 758/1581 FT2

SAC-8P-M 8MR/ 0,5-PUR - Sensor/actuator cable



1417295

<https://www.phoenixcontact.com/us/products/1417295>

Resistance to oil	According to DIN EN 60811-2-1, 168 h at 100°C
Other resistance	hydrolysis and microbe resistant
	Resistant to salt water
	Low adhesion
	abrasion-resistant
	partly UV-resistant (in accordance with DIN EN ISO 4892-2-A)
Ambient temperature (operation)	-40 °C ... 80 °C (cable, fixed installation)
	-25 °C ... 80 °C (Cable, flexible installation)

Environmental and real-life conditions

Ambient conditions

Degree of protection	IP65
	IP67

Standards and regulations

M8

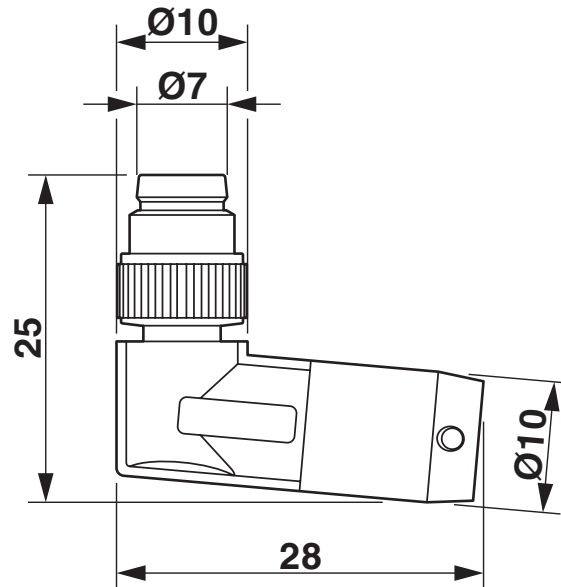
Standard designation	M8 connector
Standards/specifications	IEC 61076-2-104

1417295

<https://www.phoenixcontact.com/us/products/1417295>

Drawings

Dimensional drawing



M8 x 1 male plug, angled version

Schematic diagram



M8 plug pin assignment, 8-pos., view of pin side

SAC-8P-M 8MR/ 0,5-PUR - Sensor/actuator cable

1417295

<https://www.phoenixcontact.com/us/products/1417295>



Circuit diagram



Contact assignment of the M8 plug

SAC-8P-M 8MR/ 0,5-PUR - Sensor/actuator cable



1417295

<https://www.phoenixcontact.com/us/products/1417295>

Approvals

To download certificates, visit the product detail page: <https://www.phoenixcontact.com/us/products/1417295>

 UL Listed Approval ID: FILE E 221474				
	Nominal voltage U_N	Nominal current I_N	Cross section AWG	Cross section mm^2
keine				
	30 V	1.5 A	-	-

 cUL Listed Approval ID: FILE E 221474				
	Nominal voltage U_N	Nominal current I_N	Cross section AWG	Cross section mm^2
keine				
	30 V	1.5 A	-	-

SAC-8P-M 8MR/ 0,5-PUR - Sensor/actuator cable



1417295

<https://www.phoenixcontact.com/us/products/1417295>

Classifications

ECLASS

ECLASS-13.0	27060311
ECLASS-15.0	27060311

ETIM

ETIM 10.0	EC001855
-----------	----------

UNSPSC

UNSPSC 21.0	26121600
-------------	----------

SAC-8P-M 8MR/ 0,5-PUR - Sensor/actuator cable



1417295

<https://www.phoenixcontact.com/us/products/1417295>

Environmental product compliance

EU RoHS

Fulfills EU RoHS substance requirements	Yes, No exemptions
---	--------------------

China RoHS

Environment friendly use period (EFUP)	EFUP-E
	No hazardous substances above the limits

EU REACH SVHC

REACH candidate substance (CAS No.)	No substance above 0.1 wt%
-------------------------------------	----------------------------

Phoenix Contact 2026 © - all rights reserved
<https://www.phoenixcontact.com>

Phoenix Contact USA
586 Fulling Mill Road
Middletown, PA 17057, United States
(+717) 944-1300
info@phoenixcon.com