

SAC-VP-SEAL-SIL/RD AD VPE100 - Seal



1416866

<https://www.phoenixcontact.com/us/products/1416866>

Please be informed that the data shown in this PDF document is generated from our online catalog. Please find the complete data in the user documentation. Our general terms of use for downloads are valid.

Flat gasket for AD valve connector, color: red, unit pack: 100 pcs.



Commercial data

Item number	1416866
Packing unit	100 pc
Minimum order quantity	100 pc
Note	Made to order (non-returnable)
Product key	AF1ZVX
GTIN	4055626076539
Weight per piece (including packing)	1.127 g
Weight per piece (excluding packing)	1.127 g
Country of origin	DE

SAC-VP-SEAL-SIL/RD AD VPE100 - Seal



1416866

<https://www.phoenixcontact.com/us/products/1416866>

Technical data

Product properties

Product type	Seal
--------------	------

Material specifications

Seal material	Silicon
---------------	---------

Environmental and real-life conditions

Ambient conditions

Degree of protection	IP65
	IP67
Ambient temperature (operation) (Valve connector)	-40 °C ... 85 °C

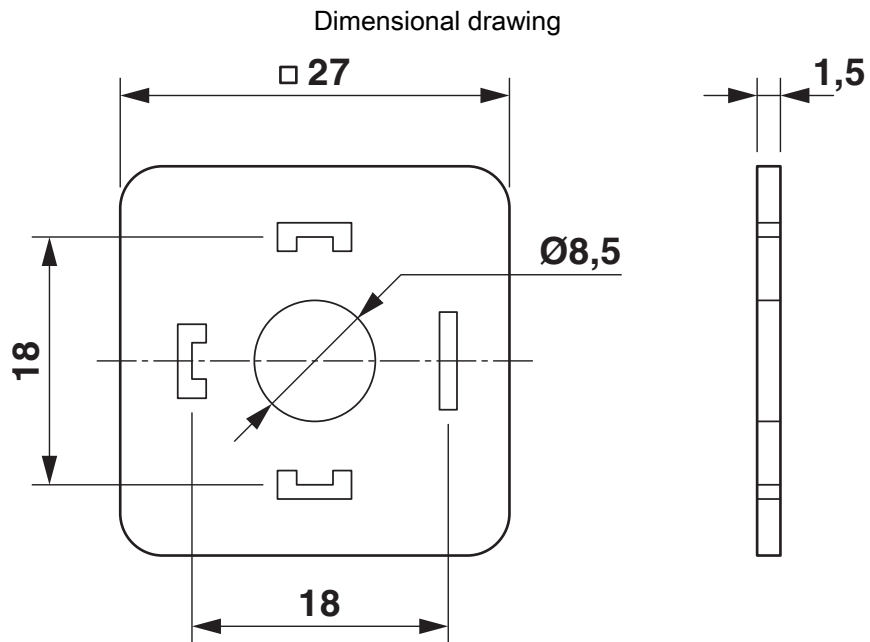
SAC-VP-SEAL-SIL/RD AD VPE100 - Seal



1416866

<https://www.phoenixcontact.com/us/products/1416866>

Drawings



SAC-VP-SEAL-SIL/RD AD VPE100 - Seal



1416866

<https://www.phoenixcontact.com/us/products/1416866>

Classifications

ECLASS

ECLASS-13.0	27440192
ECLASS-15.0	27440192

ETIM

ETIM 10.0	EC002943
-----------	----------

UNSPSC

UNSPSC 21.0	39121400
-------------	----------

SAC-VP-SEAL-SIL/RD AD VPE100 - Seal



1416866

<https://www.phoenixcontact.com/us/products/1416866>

Environmental product compliance

EU RoHS

Fulfills EU RoHS substance requirements	Yes, No exemptions
---	--------------------

China RoHS

Environment friendly use period (EFUP)	EFUP-E
	No hazardous substances above the limits

EU REACH SVHC

REACH candidate substance (CAS No.)	No substance above 0.1 wt%
-------------------------------------	----------------------------

Phoenix Contact 2026 © - all rights reserved
<https://www.phoenixcontact.com>

Phoenix Contact USA
586 Fulling Mill Road
Middletown, PA 17057, United States
(+717) 944-1300
info@phoenixcon.com