

# SAC-3P-MINMR/ 5,0-U20 - Power cable



1416786

<https://www.phoenixcontact.com/us/products/1416786>

Please be informed that the data shown in this PDF document is generated from our online catalog. Please find the complete data in the user documentation. Our general terms of use for downloads are valid.



Power cable, 3-position, PVC, yellow, Plug angled 7/8"-16UNF, coding: A, on free cable end, cable length: 5 m

## Your advantages

- Easy and safe: 100 % electrically tested plug-in components

## Commercial data

|                                      |                                |
|--------------------------------------|--------------------------------|
| Item number                          | 1416786                        |
| Packing unit                         | 1 pc                           |
| Minimum order quantity               | 1 pc                           |
| Note                                 | Made to order (non-returnable) |
| Sales key                            | BF14                           |
| Product key                          | AF11MB                         |
| GTIN                                 | 4055626223551                  |
| Weight per piece (including packing) | 22.22 g                        |
| Weight per piece (excluding packing) | 22.22 g                        |
| Customs tariff number                | 85444290                       |
| Country of origin                    | MX                             |

# SAC-3P-MINMR/ 5,0-U20 - Power cable



1416786

<https://www.phoenixcontact.com/us/products/1416786>

## Technical data

### Product properties

|                      |                       |
|----------------------|-----------------------|
| Product type         | Sensor/actuator cable |
| Application          | Standard              |
| Number of positions  | 3                     |
| No. of cable outlets | 1                     |
| Shielded             | no                    |
| Coding               | A                     |

### Material specifications

|  |                   |
|--|-------------------|
| Flammability rating according to UL 94 | V0                |
| Material of grip body                  | PVC               |
| Contact material                       | CuZn              |
| Contact surface material               | Au                |
| Contact carrier material               | PVC               |
| Material for screw connection          | Anodized aluminum |

### Electrical properties

|                       |                            |
|-----------------------|----------------------------|
| Insulation resistance | $\geq 100 \text{ M}\Omega$ |
| Nominal voltage $U_N$ | 600 V AC/DC (UL rating)    |
|                       | 50 V AC/DC (IEC rating)    |
| Nominal current $I_N$ | 13 A                       |

### Mechanical properties

#### Mechanical data

|                             |     |
|-----------------------------|-----|
| Insertion/withdrawal cycles | 100 |
|-----------------------------|-----|

### Signaling

|                        |    |
|------------------------|----|
| Status display         | no |
| Status display present | no |

### Connection data

#### Conductor connection

|                   |                         |
|-------------------|-------------------------|
| Tightening torque | 10 lb <sub>F</sub> -in. |
|                   | 1.12 Nm                 |

### Connector

#### Connection 1

|             |                        |
|-------------|------------------------|
| Type        | Plug angled 7/8"-16UNF |
| Coding type | A                      |

#### Connection 2

# SAC-3P-MINMR/ 5,0-U20 - Power cable



1416786

<https://www.phoenixcontact.com/us/products/1416786>

|      |                |
|------|----------------|
| Type | free cable end |
|------|----------------|

## Cable/line

|              |     |
|--------------|-----|
| Cable length | 5 m |
|--------------|-----|

### Yellow, STOOW [U20]

|   |   |
|---|---|
| Number of positions                           | 3   |
| Shielded                                      | no  |
| Cable type                                    | Yellow, STOOW [U20]   |
| Conductor structure, voltage supply           | 65 x AWG 32   |
| Conductor cross-section                       | 3 x AWG 16  |
| External cable diameter                       | 10.40 mm  |
| Outer sheath, material                        | PVC   |
| External sheath, color                        | yellow  |
| Conductor material                            | Bare Cu litz wires  |
| Single wire, color                            | green 1, black 2, white 3   |
| Nominal voltage, cable                        | 600 V   |
| Minimum bending radius, fixed installation    | 4 x D   |
| Minimum bending radius, flexible installation | 12.5 x D  |
| Smallest bending radius, fixed installation   | 42 mm   |
| Smallest bending radius, movable installation | 130 mm  |
| Flame resistance                              | UL 1581, FT2  |
| Resistance to oil                             | Premium oil resistance (jacket and conductor)   |
| Other resistance                              | UV resistant (720 h) (UL 2556)  |
| Ambient temperature (operation)               | -40 °C ... 105 °C (cable, fixed installation)<br>-30 °C ... 105 °C (Cable, flexible installation) |

## Environmental and real-life conditions

### Ambient conditions

|   |  |
|---|--|
| Degree of protection  | IP68   |
| Ambient temperature (operation) (male connector/female connector) | -20 °C ... 105 °C (Plug / socket)                |
| Ambient temperature (operation) (Cable, fixed installation)       | -40 °C ... 105 °C (cable, fixed installation)    |
| Ambient temperature (operation) (Cable, flexible installation)    | -30 °C ... 105 °C (Cable, flexible installation) |

# SAC-3P-MINMR/ 5,0-U20 - Power cable



1416786

<https://www.phoenixcontact.com/us/products/1416786>

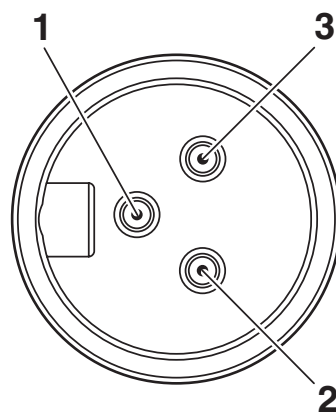
## Drawings

Dimensional drawing



7/8"-16UNF plug, angled

Schematic diagram



Pin assignment, plug, 7/8"-16UNF, 3-pos., view of male side

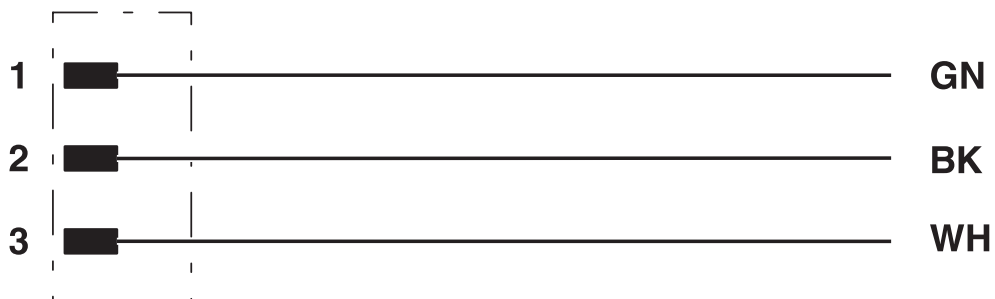
# SAC-3P-MINMR/ 5,0-U20 - Power cable



1416786

<https://www.phoenixcontact.com/us/products/1416786>

Circuit diagram



Contact assignment of 7/8" plug

# SAC-3P-MINMR/ 5,0-U20 - Power cable



1416786

<https://www.phoenixcontact.com/us/products/1416786>

## Classifications

### ECLASS

|             |          |
|-------------|----------|
| ECLASS-13.0 | 27060311 |
| ECLASS-15.0 | 27060311 |

### ETIM

|          |          |
|----------|----------|
| ETIM 9.0 | EC001855 |
|----------|----------|

### UNSPSC

|             |          |
|-------------|----------|
| UNSPSC 21.0 | 31251501 |
|-------------|----------|

# SAC-3P-MINMR/ 5,0-U20 - Power cable



1416786

<https://www.phoenixcontact.com/us/products/1416786>

## Environmental product compliance

### EU RoHS

|   |                    |
|---|--------------------|
| Fulfills EU RoHS substance requirements | Yes, No exemptions |
|---|--------------------|

### China RoHS

|  |  |
|--|--|
| Environment friendly use period (EFUP) | EFUP-E                                   |
|  | No hazardous substances above the limits |

### EU REACH SVHC

|                                     |                            |
|-------------------------------------|----------------------------|
| REACH candidate substance (CAS No.) | No substance above 0.1 wt% |
|-------------------------------------|----------------------------|

Phoenix Contact 2026 © - all rights reserved  
<https://www.phoenixcontact.com>

Phoenix Contact USA  
586 Fulling Mill Road  
Middletown, PA 17057, United States  
(+717) 944-1300  
[info@phoenixcon.com](mailto:info@phoenixcon.com)