

SAC-3P-10,0-U20/MINFR - Power cable



1416775

<https://www.phoenixcontact.com/us/products/1416775>

Please be informed that the data shown in this PDF document is generated from our online catalog. Please find the complete data in the user documentation. Our general terms of use for downloads are valid.



Power cable, 3-position, PVC, yellow, free cable end, on Socket angled 7/8"-16UNF, coding: A, cable length: 10 m

Your advantages

- Easy and safe: 100 % electrically tested plug-in components

Commercial data

| | |
|--------------------------------------|--------------------------------|
| Item number | 1416775 |
| Packing unit | 1 pc |
| Minimum order quantity | 1 pc |
| Note | Made to order (non-returnable) |
| Sales key | BF14 |
| Product key | AF1IMB |
| GTIN | 4055626223445 |
| Weight per piece (including packing) | 22.22 g |
| Weight per piece (excluding packing) | 22.22 g |
| Customs tariff number | 85444290 |
| Country of origin | MX |

SAC-3P-10,0-U20/MINFR - Power cable



1416775

<https://www.phoenixcontact.com/us/products/1416775>

Technical data

Product properties

| | |
|----------------------|-----------------------|
| Product type | Sensor/actuator cable |
| Application | Standard |
| Number of positions | 3 |
| No. of cable outlets | 1 |
| Shielded | no |
| Coding | A |

Material specifications

| | |
|--|-------------------|
| Flammability rating according to UL 94 | V0 |
| Material of grip body | PVC |
| Contact material | CuZn |
| Contact surface material | Au |
| Contact carrier material | PVC |
| Material for screw connection | Anodized aluminum |

Electrical properties

| | |
|-----------------------|----------------------------|
| Insulation resistance | $\geq 100 \text{ M}\Omega$ |
| Nominal voltage U_N | 600 V AC/DC (UL rating) |
| | 50 V AC/DC (IEC rating) |
| Nominal current I_N | 13 A |

Mechanical properties

Mechanical data

| | |
|-----------------------------|-----|
| Insertion/withdrawal cycles | 100 |
|-----------------------------|-----|

Signaling

| | |
|------------------------|----|
| Status display | no |
| Status display present | no |

Connection data

Conductor connection

| | |
|-------------------|-------------------------|
| Tightening torque | 10 lb _F -in. |
| | 1.12 Nm |

Connector

Connection 1

| | |
|------|----------------|
| Type | free cable end |
|------|----------------|

Connection 2

| | |
|------|--------------------------|
| Type | Socket angled 7/8"-16UNF |
|------|--------------------------|

SAC-3P-10,0-U20/MINFR - Power cable



1416775

<https://www.phoenixcontact.com/us/products/1416775>

| | |
|---------------------|---|
| Number of positions | 3 |
| Coding type | A |

Cable/line

| | |
|--------------|------|
| Cable length | 10 m |
|--------------|------|

Yellow, STOOW [U20]

| | |
|---|---|
| Number of positions | 3 |
| Shielded | no |
| Cable type | Yellow, STOOW [U20] |
| Conductor structure, voltage supply | 65 x AWG 32 |
| Conductor cross-section | 3 x AWG 16 |
| External cable diameter | 10.40 mm |
| Outer sheath, material | PVC |
| External sheath, color | yellow |
| Conductor material | Bare Cu litz wires |
| Single wire, color | green 1, black 2, white 3 |
| Nominal voltage, cable | 600 V |
| Minimum bending radius, fixed installation | 4 x D |
| Minimum bending radius, flexible installation | 12.5 x D |
| Smallest bending radius, fixed installation | 42 mm |
| Smallest bending radius, movable installation | 130 mm |
| Flame resistance | UL 1581, FT2 |
| Resistance to oil | Premium oil resistance (jacket and conductor) |
| Other resistance | UV resistant (720 h) (UL 2556) |
| Ambient temperature (operation) | -40 °C ... 105 °C (cable, fixed installation) -30 °C ... 105 °C (Cable, flexible installation) |

Environmental and real-life conditions

Ambient conditions

| | |
|---|--|
| Degree of protection | IP68 |
| Ambient temperature (operation) (male connector/female connector) | -20 °C ... 105 °C (Plug / socket) |
| Ambient temperature (operation) (Cable, fixed installation) | -40 °C ... 105 °C (cable, fixed installation) |
| Ambient temperature (operation) (Cable, flexible installation) | -30 °C ... 105 °C (Cable, flexible installation) |

SAC-3P-10,0-U20/MINFR - Power cable

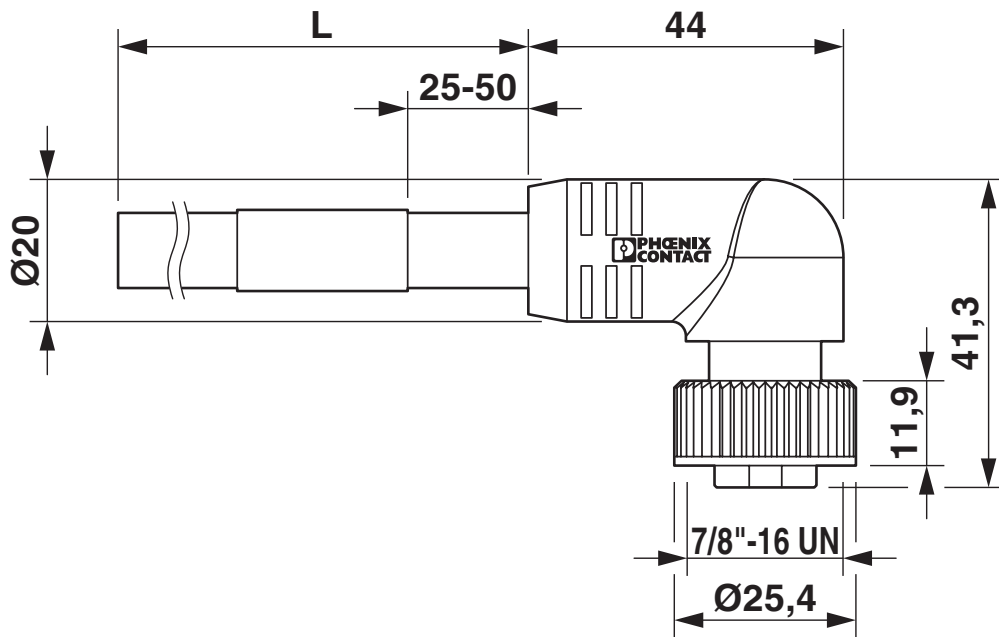


1416775

<https://www.phoenixcontact.com/us/products/1416775>

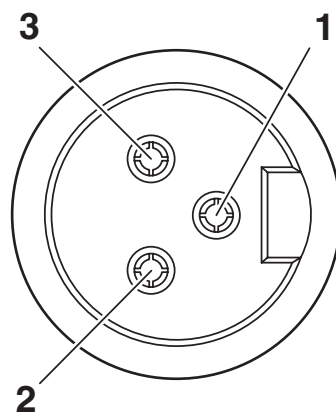
Drawings

Dimensional drawing



7/8"-16UNF socket, angled

Schematic diagram



Pin assignment, socket, 7/8"-16UNF, 3-pos., view of female side

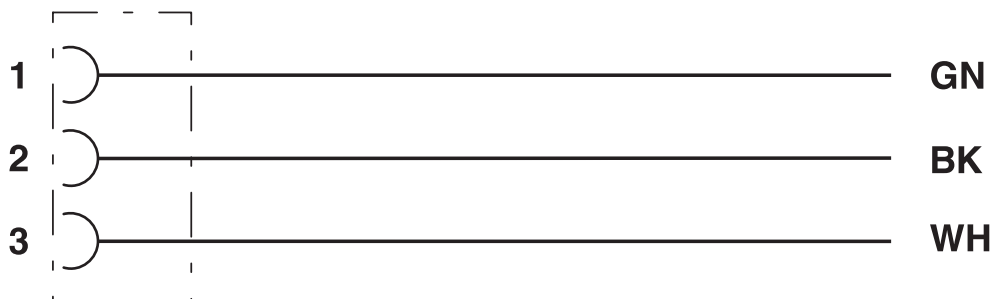
SAC-3P-10,0-U20/MINFR - Power cable



1416775

<https://www.phoenixcontact.com/us/products/1416775>

Circuit diagram



Contact assignment of 7/8" socket

SAC-3P-10,0-U20/MINFR - Power cable



1416775

<https://www.phoenixcontact.com/us/products/1416775>

Classifications

ECLASS

| | |
|-------------|----------|
| ECLASS-13.0 | 27060311 |
| ECLASS-15.0 | 27060311 |

ETIM

| | |
|----------|----------|
| ETIM 9.0 | EC001855 |
|----------|----------|

UNSPSC

| | |
|-------------|----------|
| UNSPSC 21.0 | 31251501 |
|-------------|----------|

SAC-3P-10,0-U20/MINFR - Power cable



1416775

<https://www.phoenixcontact.com/us/products/1416775>

Environmental product compliance

EU RoHS

| | |
|---|---|
| Fulfills EU RoHS substance requirements | Not applicable, Not qualified for the European market |
|---|---|

EU REACH SVHC

| | |
|-------------------------------------|----------------------------|
| REACH candidate substance (CAS No.) | No substance above 0.1 wt% |
|-------------------------------------|----------------------------|

Phoenix Contact 2026 © - all rights reserved

<https://www.phoenixcontact.com>

Phoenix Contact USA
586 Fulling Mill Road
Middletown, PA 17057, United States
(+717) 944-1300
info@phoenixcon.com