

HC-D50-TFQ-76/O1PG21G - Housing



1416394

<https://www.phoenixcontact.com/us/products/1416394>

Please be informed that the data shown in this PDF document is generated from our online catalog. Please find the complete data in the user documentation. Our general terms of use for downloads are valid.



Sleeve housing D50, for double locking latch, material: Die-cast aluminum, cable outlets: 1, straight, 1x Pg21, height: 76 mm, cable gland: none, Standard

Commercial data

Item number	1416394
Packing unit	10 pc
Minimum order quantity	1 pc
Product key	AF7AAE
GTIN	4055626072548
Weight per piece (including packing)	296 g
Weight per piece (excluding packing)	296 g
Country of origin	DE

HC-D50-TFQ-76/O1PG21G - Housing

1416394

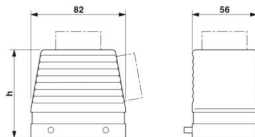
<https://www.phoenixcontact.com/us/products/1416394>

Technical data

Product properties

Product type	Housing with locking latch
Housing type	Sleeve housing
Application	Standard
Type	D50
No. of cable outlets	1
Type of the screw connection	1x Pg21
Cable outlet	straight
Pg screw connection	none

Dimensions

Dimensional drawing	
Width	56 mm
Height	76 mm
Length	82 mm

Material specifications

Housing material	Die-cast aluminum
Housing surface material	Powder-coated, gray

Mechanical properties

Mechanical data

Type of the screw connection	1x Pg21
Locking type	Pin

Environmental and real-life conditions

Ambient conditions

Degree of protection	IP65
Ambient temperature (operation)	-40 °C ... 125 °C

HC-D50-TFQ-76/O1PG21G - Housing

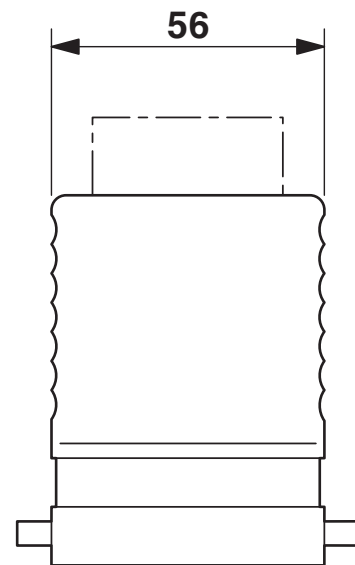
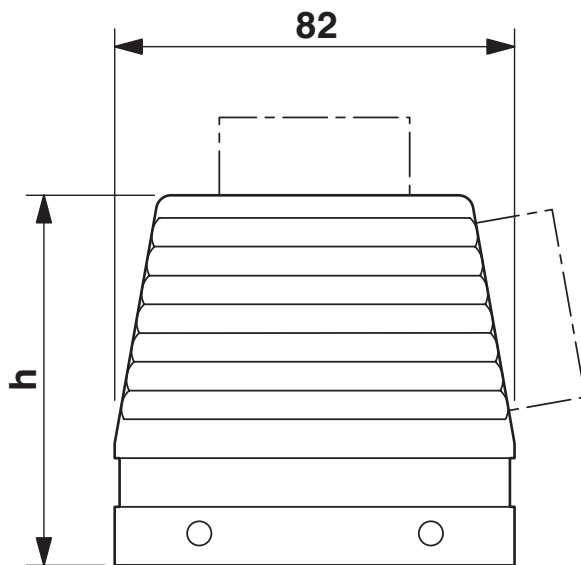


1416394

<https://www.phoenixcontact.com/us/products/1416394>

Drawings

Dimensional drawing



Dimensional drawing

HC-D50-TFQ-76/O1PG21G - Housing



1416394

<https://www.phoenixcontact.com/us/products/1416394>

Classifications

ECLASS

ECLASS-13.0	27440202
ECLASS-15.0	27440202

HC-D50-TFQ-76/O1PG21G - Housing



1416394

<https://www.phoenixcontact.com/us/products/1416394>

Environmental product compliance

EU RoHS

Fulfills EU RoHS substance requirements	Yes, No exemptions
---	--------------------

China RoHS

Environment friendly use period (EFUP)	EFUP-E
	No hazardous substances above the limits

EU REACH SVHC

REACH candidate substance (CAS No.)	No substance above 0.1 wt%
-------------------------------------	----------------------------

Phoenix Contact 2026 © - all rights reserved
<https://www.phoenixcontact.com>

Phoenix Contact USA
586 Fulling Mill Road
Middletown, PA 17057, United States
(+717) 944-1300
info@phoenixcon.com