

# HC-D25-SML-57/O1PG21 - Housing



1416390

<https://www.phoenixcontact.com/us/products/1416390>

Please be informed that the data shown in this PDF document is generated from our online catalog. Please find the complete data in the user documentation. Our general terms of use for downloads are valid.



Surface mounting housing D25, with single locking latch, material: Die-cast aluminum, cable outlets: 1, left (view of the opened single locking latch), 1x Pg21, height: 57 mm, cable gland: none

## Commercial data

Item number	1416390
Packing unit	10 pc
Minimum order quantity	1 pc
Product key	AF7AAE
GTIN	4055626072517
Weight per piece (including packing)	250.88 g
Weight per piece (excluding packing)	250.88 g
Country of origin	DE

# HC-D25-SML-57/O1PG21 - Housing

1416390

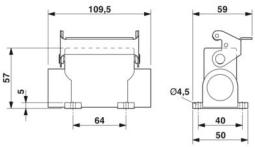
<https://www.phoenixcontact.com/us/products/1416390>

## Technical data

### Product properties

Product type	Housing with locking latch
Housing type	Surface mounting housing
Type	D25
No. of cable outlets	1
Type of the screw connection	1x Pg21
Cable outlet	left (view of the opened single locking latch)
Pg screw connection	none

### Dimensions

Dimensional drawing	
Width	50 mm
Height	57 mm
Length	109.5 mm

### Material specifications

Housing material	Die-cast aluminum
Housing surface material	Powder-coated, gray
Locking latch material	Steel, galvanized

### Mechanical properties

#### Mechanical data

Type of the screw connection	1x Pg21
Locking type	Latch

### Environmental and real-life conditions

#### Ambient conditions

Degree of protection	IP65
Ambient temperature (operation)	-40 °C ... 125 °C

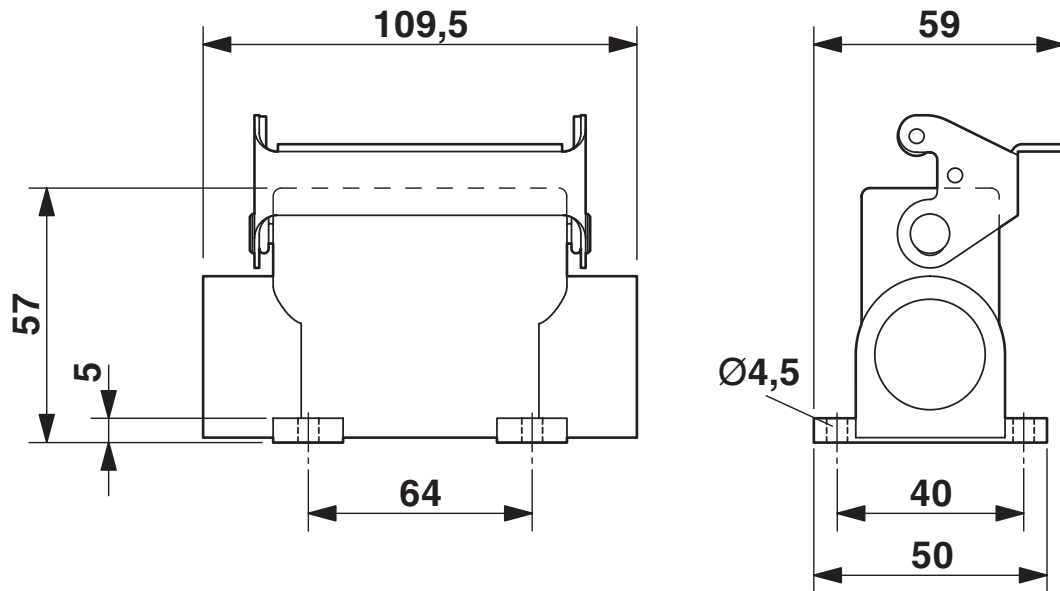
# HC-D25-SML-57/O1PG21 - Housing

1416390

<https://www.phoenixcontact.com/us/products/1416390>

## Drawings

Dimensional drawing



Dimensional drawing

# HC-D25-SML-57/O1PG21 - Housing



1416390

<https://www.phoenixcontact.com/us/products/1416390>

## Classifications

### ECLASS

ECLASS-13.0	27440202
ECLASS-15.0	27440202

# HC-D25-SML-57/O1PG21 - Housing



1416390

<https://www.phoenixcontact.com/us/products/1416390>

## Environmental product compliance

### EU RoHS

Fulfills EU RoHS substance requirements	Yes, No exemptions
---	--------------------

### China RoHS

Environment friendly use period (EFUP)	EFUP-E
	No hazardous substances above the limits

### EU REACH SVHC

REACH candidate substance (CAS No.)	No substance above 0.1 wt%
-------------------------------------	----------------------------

Phoenix Contact 2026 © - all rights reserved  
<https://www.phoenixcontact.com>

Phoenix Contact USA  
586 Fulling Mill Road  
Middletown, PA 17057, United States  
(+717) 944-1300  
[info@phoenixcon.com](mailto:info@phoenixcon.com)