

# HC-D25-TFL-72/O1PG21G - Housing



1416387

<https://www.phoenixcontact.com/us/products/1416387>

Please be informed that the data shown in this PDF document is generated from our online catalog. Please find the complete data in the user documentation. Our general terms of use for downloads are valid.



Sleeve housing D25, for single locking latch, material: Die-cast aluminum, cable outlets: 1, straight, 1x Pg21, height: 72 mm, cable gland: none, Standard

## Commercial data

|                                      |               |
|--------------------------------------|---------------|
| Item number                          | 1416387       |
| Packing unit                         | 10 pc         |
| Minimum order quantity               | 1 pc          |
| Product key                          | AF7AAE        |
| GTIN                                 | 4055626072494 |
| Weight per piece (including packing) | 224.8 g       |
| Weight per piece (excluding packing) | 224.8 g       |
| Country of origin                    | DE            |

# HC-D25-TFL-72/O1PG21G - Housing

1416387

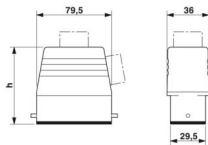
<https://www.phoenixcontact.com/us/products/1416387>

## Technical data

### Product properties

|                              |                            |
|------------------------------|----------------------------|
| Product type                 | Housing with locking latch |
| Housing type                 | Sleeve housing             |
| Application                  | Standard                   |
| Type                         | D25                        |
| No. of cable outlets         | 1                          |
| Type of the screw connection | 1x Pg21                    |
| Cable outlet                 | straight                   |
| Pg screw connection          | none                       |

### Dimensions

|                     |   |
|---------------------|---|
| Dimensional drawing |  |
| Width               | 36 mm   |
| Height              | 72 mm   |
| Length              | 79.5 mm   |

### Material specifications

|                          |                     |
|--------------------------|---------------------|
| Seal material            | NBR                 |
| Housing material         | Die-cast aluminum   |
| Housing surface material | Powder-coated, gray |

### Mechanical properties

#### Mechanical data

|                              |         |
|------------------------------|---------|
| Type of the screw connection | 1x Pg21 |
| Locking type                 | Pin     |

### Environmental and real-life conditions

#### Ambient conditions

|                                 |                   |
|---------------------------------|-------------------|
| Degree of protection            | IP65              |
| Ambient temperature (operation) | -40 °C ... 125 °C |

# HC-D25-TFL-72/O1PG21G - Housing

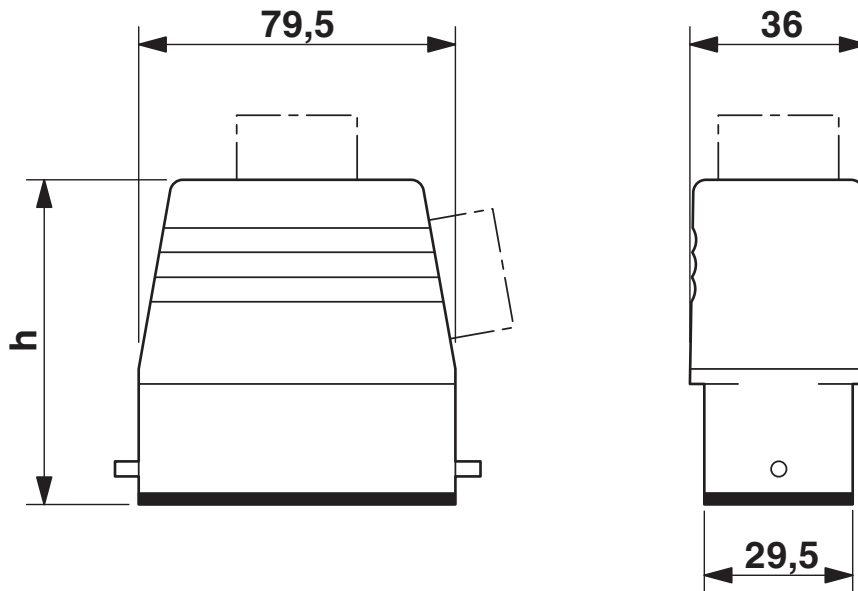


1416387

<https://www.phoenixcontact.com/us/products/1416387>

## Drawings

Dimensional drawing



Dimensional drawing

# HC-D25-TFL-72/O1PG21G - Housing



1416387

<https://www.phoenixcontact.com/us/products/1416387>

## Classifications

### ECLASS

|             |          |
|-------------|----------|
| ECLASS-13.0 | 27440202 |
| ECLASS-15.0 | 27440202 |

# HC-D25-TFL-72/O1PG21G - Housing



1416387

<https://www.phoenixcontact.com/us/products/1416387>

## Environmental product compliance

### EU RoHS

|   |                    |
|---|--------------------|
| Fulfills EU RoHS substance requirements | Yes, No exemptions |
|---|--------------------|

### China RoHS

|  |  |
|--|--|
| Environment friendly use period (EFUP) | EFUP-E                                   |
|  | No hazardous substances above the limits |

### EU REACH SVHC

|                                     |                            |
|-------------------------------------|----------------------------|
| REACH candidate substance (CAS No.) | No substance above 0.1 wt% |
|-------------------------------------|----------------------------|

Phoenix Contact 2026 © - all rights reserved  
<https://www.phoenixcontact.com>

Phoenix Contact USA  
586 Fulling Mill Road  
Middletown, PA 17057, United States  
(+717) 944-1300  
[info@phoenixcon.com](mailto:info@phoenixcon.com)