

# HC-STA-B10PT-BWD-LS-M25-ELCAL - Connector set



1416355

<https://www.phoenixcontact.com/us/products/1416355>

Please be informed that the data shown in this PDF document is generated from our online catalog. Please find the complete data in the user documentation. Our general terms of use for downloads are valid.

Connector set, number of positions: 10, connection method: Push-in connection, connection cross section: AWG 26- 14, cable outlet: lateral



## Commercial data

Item number	1416355
Packing unit	1 pc
Minimum order quantity	1 pc
Sales key	BF63
Product key	AF7AFX
GTIN	4055626071268
Weight per piece (including packing)	464.9 g
Weight per piece (excluding packing)	22.22 g
Customs tariff number	85366990
Country of origin	CN

1416355

<https://www.phoenixcontact.com/us/products/1416355>

## Set consists of

### HC-B10-I-PT-F - Contact insert

1407729

<https://www.phoenixcontact.com/us/products/1407729>



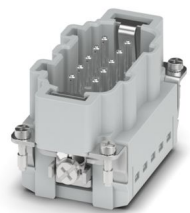
Contact insert, number of positions: 10+PE, size: B10, number of connections per position: 1, Socket, Push-in connection, 500 V, 16 A, 0.14 mm<sup>2</sup> ... 2.5 mm<sup>2</sup>, application: Power

---

### HC-B10-I-PT-M - Contact insert

1407730

<https://www.phoenixcontact.com/us/products/1407730>



Contact insert, number of positions: 10+PE, size: B10, number of connections per position: 1, Pin, Push-in connection, 500 V, 16 A, 0.14 mm<sup>2</sup> ... 2.5 mm<sup>2</sup>, application: Power

# HC-STA-B10PT-BWD-LS-M25-ELCAL - Connector set



1416355

<https://www.phoenixcontact.com/us/products/1416355>

## HC-STA-B10-BWD-ELC-AL - Housing

1411322

<https://www.phoenixcontact.com/us/products/1411322>



HEAVYCON B10 panel mounting base, with double locking latch, with flat gasket, salt-water-resistant aluminum, conductive profile gasket

---

## HC-STA-B10-HLFD-1STM25-EL-AL - Housing

1412617

<https://www.phoenixcontact.com/us/products/1412617>



Sleeve housing B10, for double locking latch, material: Die-cast aluminum, salt water resistant, cable outlets: 1, lateral, 1x M25, height: 57 mm, cable gland: none, Standard

# HC-STA-B10PT-BWD-LS-M25-ELCAL - Connector set



1416355

<https://www.phoenixcontact.com/us/products/1416355>

## G-INS-M25-M68N-NNES-S - Cable gland

1411165

<https://www.phoenixcontact.com/us/products/1411165>



Cable gland, material for screw connection: Brass, nickel-plated, application: Standard, external cable diameter 11 mm ... 17 mm, shielding: no, connecting thread: M25 x 1.5, color: silver-colored, with O-ring

1416355

<https://www.phoenixcontact.com/us/products/1416355>

## Technical data

### Product properties

Product type	Connector set
Housing type	Complete housing
Series	HC-B
Application	Standard
Type	B10
Number of positions	10
Connection profile	10+PE
No. of cable outlets	1
Seal present	yes
Protective cover	no
Cable outlet	lateral

### Insulation characteristics

Overvoltage category	III
Degree of pollution	3

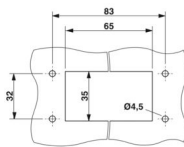
### Electrical properties

Rated voltage (III/3)	500 V
Rated surge voltage	6 kV
Rated current	16 A
Nominal voltage $U_N$	500 V
Nominal current $I_N$	16 A

### Connection data

Connection method	Push-in connection
Connection technology	Push-in connection
Conductor cross-section	0.14 mm <sup>2</sup> ... 2.5 mm <sup>2</sup> (with ferrule) 0.14 mm <sup>2</sup> ... 2.5 mm <sup>2</sup> (with ferrule)
Connection cross section AWG	26 ... 14
Stripping length	8 mm ... 10 mm

### Dimensions

Dimensional drawing	
Width	53 mm
Height	87.5 mm
Length	93.5 mm
Drill hole distance, horizontal	83 mm

1416355

<https://www.phoenixcontact.com/us/products/1416355>

Drill hole distance, vertical	32 mm
Hole diameter	4.5 mm

#### Installation dimensions

Width of the assembly cutout	35 mm
Length of the assembly cutout	65 mm

#### Material specifications

Material Housing	Die-cast aluminum, saltwater-resistant
Flammability rating according to UL 94	V0
Seal material Profile gasket	NBR
Seal material Flat gasket	NBR
Contact material	Copper alloy
Contact surface material	Ag
Contact carrier material	PC
Locking latch material	PA

#### Cable/line

External cable diameter	11 mm ... 17 mm
	14 mm ... 17 mm (for UL 514 B)

#### Mechanical properties

##### Mechanical data

Locking type	Latch
Insertion/withdrawal cycles	≥ 500

#### Environmental and real-life conditions

##### Ambient conditions

Degree of protection	IP66
	IP67
Enclosure rating (NEMA)	4 (UL 50e)
	4X (UL 50e)
	12 (UL 50e)
Impact strength	IK09
Ambient temperature (operation)	-40 °C ... 100 °C

#### Mounting

Mounting type	Screw mounting
Assembly note	<p>Coding also using the CP-HC (1686478) coding profiles. HC-B6.. / HC-B10..for two coding profiles. HC-B16.. / HC-B24..for four coding profiles.</p> <p>Connectors may only be operated when there is no load/the power is switched off. Can be used for solid wires and stranded wires with ferrule.</p>

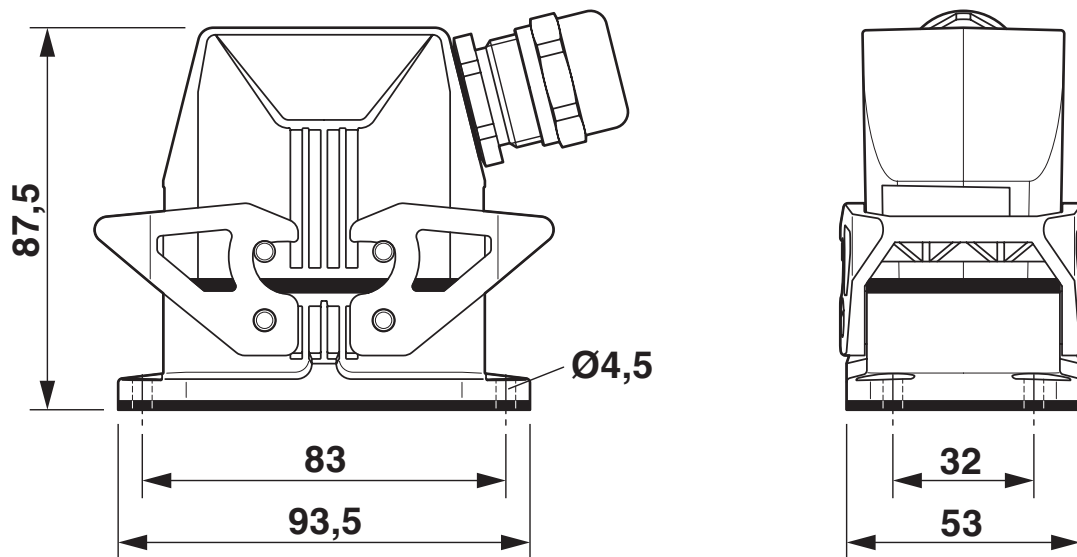
Drawings

Dimensional drawing



Mounting cutout

Dimensional drawing

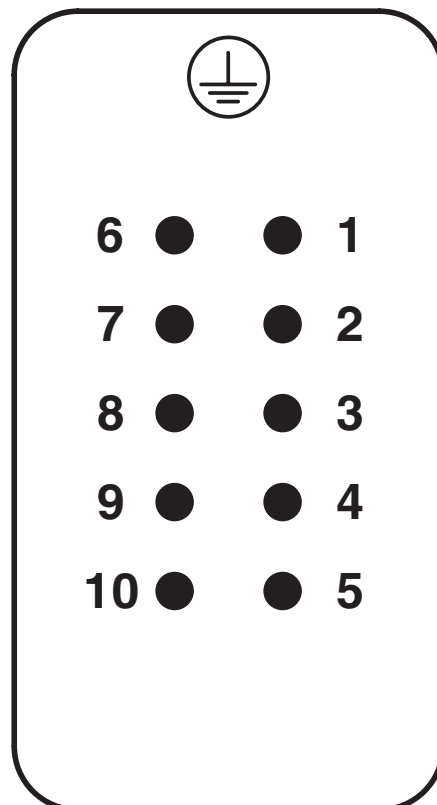


Dimensional drawing

1416355

<https://www.phoenixcontact.com/us/products/1416355>

## Schematic diagram

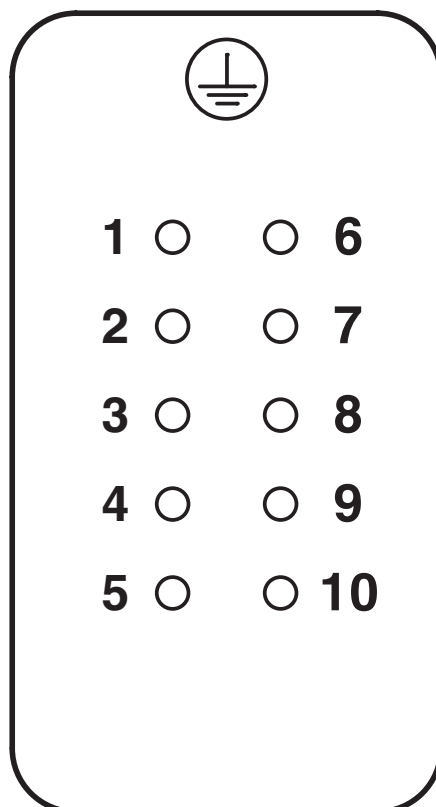


Pin assignment, connection side, pin

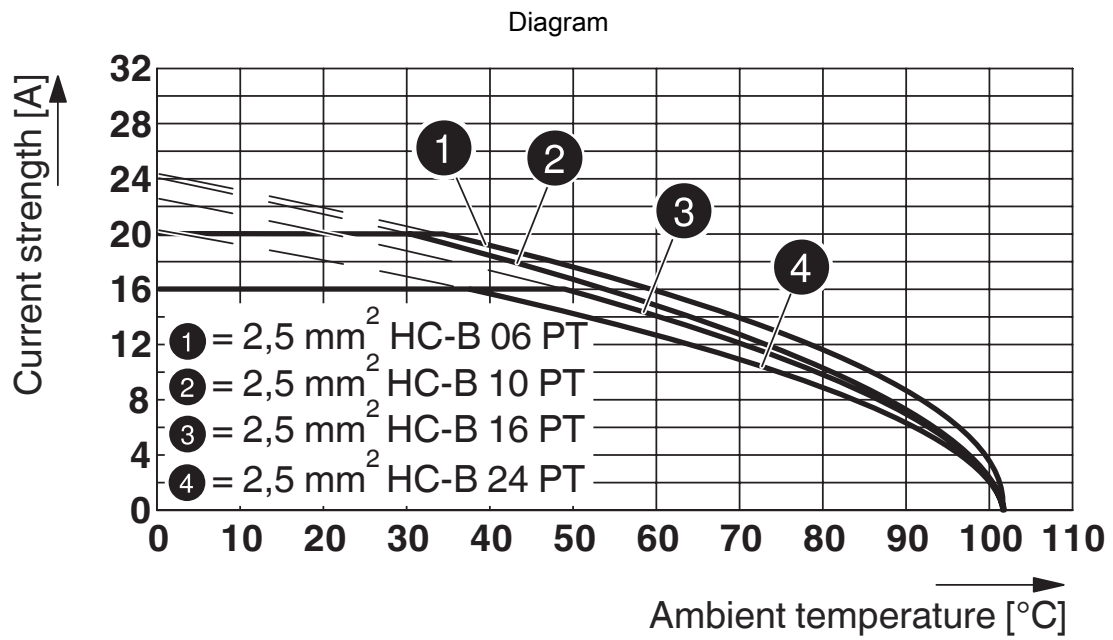
1416355

<https://www.phoenixcontact.com/us/products/1416355>

## Schematic diagram



Pin assignment, connection side, socket



Derating diagram

1416355

<https://www.phoenixcontact.com/us/products/1416355>

## Approvals

🔗 To download certificates, visit the product detail page: <https://www.phoenixcontact.com/us/products/1416355>

**DNV**

Approval ID: TAE000037S

**ENEC**

**EAC**

Approval ID: RU C-DE.AI30.B.01102

1416355

<https://www.phoenixcontact.com/us/products/1416355>

## Classifications

### ECLASS

ECLASS-13.0	27440113
ECLASS-15.0	27440113

### ETIM

ETIM 10.0	EC002636
-----------	----------

### UNSPSC

UNSPSC 21.0	39121400
-------------	----------

1416355

<https://www.phoenixcontact.com/us/products/1416355>

## Environmental product compliance

### EU RoHS

Fulfills EU RoHS substance requirements	Yes
Exemption	6(c)

### China RoHS

Environment friendly use period (EFUP)	EFUP-50
	An article-related China RoHS declaration table can be found in the download area for the respective article under "Manufacturer declaration". For all articles with EFUP-E, no China RoHS declaration table issued and required.

### EU REACH SVHC

REACH candidate substance (CAS No.)	Lead(CAS: 7439-92-1)
SCIP	a05763ca-da53-4981-a93d-fca59609bb6d

Phoenix Contact 2026 © - all rights reserved

<https://www.phoenixcontact.com>

Phoenix Contact USA  
 586 Fulling Mill Road  
 Middletown, PA 17057, United States  
 (+717) 944-1300  
[info@phoenixcon.com](mailto:info@phoenixcon.com)