

# HC-STA-B06PT-BWSC-LS-M20-ELCAL - Connector set



1416353

<https://www.phoenixcontact.com/us/products/1416353>

Please be informed that the data shown in this PDF document is generated from our online catalog. Please find the complete data in the user documentation. Our general terms of use for downloads are valid.

Connector set, number of positions: 6, connection method: Push-in connection, connection cross section: AWG 26- 14, cable outlet: lateral



## Commercial data

Item number	1416353
Packing unit	1 pc
Minimum order quantity	1 pc
Sales key	BF63
Product key	AF7AFX
GTIN	4055626071244
Weight per piece (including packing)	390.8 g
Weight per piece (excluding packing)	390 g
Customs tariff number	85366990
Country of origin	CN

# HC-STA-B06PT-BWSC-LS-M20-ELCAL - Connector set



1416353

<https://www.phoenixcontact.com/us/products/1416353>

## Set consists of

### HC-B06-I-PT-F - Contact insert

1407727

<https://www.phoenixcontact.com/us/products/1407727>



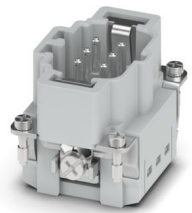
Contact insert, number of positions: 6+PE, size: B6, number of connections per position: 1, Socket, Push-in connection, 500 V, 16 A, 0.14 mm<sup>2</sup> ... 2.5 mm<sup>2</sup>, application: Power

---

### HC-B06-I-PT-M - Contact insert

1407728

<https://www.phoenixcontact.com/us/products/1407728>



Contact insert, number of positions: 6+PE, size: B6, number of connections per position: 1, Pin, Push-in connection, 500 V, 16 A, 0.14 mm<sup>2</sup> ... 2.5 mm<sup>2</sup>, application: Power

# HC-STA-B06PT-BWSC-LS-M20-ELCAL - Connector set



1416353

<https://www.phoenixcontact.com/us/products/1416353>

## G-INS-M20-S68N-NNES-S - Cable gland

1411163

<https://www.phoenixcontact.com/us/products/1411163>



Cable gland, material for screw connection: Brass, nickel-plated, application: Standard, external cable diameter 6 mm ... 12 mm, shielding: no, connecting thread: M20 x 1.5, color: silver-colored, with O-ring

---

## HC-STA-B06-BWSC-ELC-AL - Housing

1411319

<https://www.phoenixcontact.com/us/products/1411319>



Panel mounting base B6, with single locking latch, material: Die-cast aluminum, salt water resistant, protective cover material: PC, height: 30.5 mm, cable gland: none, protective cover: yes, Standard, with flat gasket

# HC-STA-B06PT-BWSC-LS-M20-ELCAL - Connector set



1416353

<https://www.phoenixcontact.com/us/products/1416353>

## HC-STA-B06-HLFS-1STM20-EL-AL - Housing

1412570

<https://www.phoenixcontact.com/us/products/1412570>



Sleeve housing B6, for single locking latch, material: Die-cast aluminum, salt water resistant, cable outlets: 1, lateral, 1x M20, height: 52 mm, cable gland: none, Standard

# HC-STA-B06PT-BWSC-LS-M20-ELCAL - Connector set



1416353

<https://www.phoenixcontact.com/us/products/1416353>

## Technical data

### Product properties

Product type	Connector set
Housing type	Complete housing
Series	HC-B
Application	Standard
Type	B6
Number of positions	6
Connection profile	6+PE
No. of cable outlets	1
Seal present	yes
Protective cover	yes
Cable outlet	lateral

### Insulation characteristics

Overvoltage category	III
Degree of pollution	3

### Electrical properties

Rated voltage (III/3)	500 V
Rated surge voltage	6 kV
Rated current	16 A
Nominal voltage $U_N$	500 V
Nominal current $I_N$	16 A

### Connection data

Connection method	Push-in connection
Connection technology	Push-in connection
Conductor cross-section	0.14 mm <sup>2</sup> ... 2.5 mm <sup>2</sup> (with ferrule) 0.14 mm <sup>2</sup> ... 2.5 mm <sup>2</sup> (with ferrule)
Connection cross section AWG	26 ... 14
Tightening torque	0.5 Nm ... 1.7 Nm (Fixing screws for panel mounting base)
Stripping length	8 mm ... 10 mm

### Dimensions

Dimensional drawing	
Width	53 mm
Height	82.5 mm
Length	80.5 mm

# HC-STA-B06PT-BWSC-LS-M20-ELCAL - Connector set



1416353

<https://www.phoenixcontact.com/us/products/1416353>

Drill hole distance, horizontal	70 mm
Drill hole distance, vertical	32 mm
Hole diameter	4.5 mm

## Installation dimensions

Width of the assembly cutout	35 mm
Length of the assembly cutout	52 mm

## Material specifications

Material Housing	Die-cast aluminum, saltwater-resistant
Material Protective cover	PA
Flammability rating according to UL 94	V0
Seal material Profile gasket	NBR, conductive
Seal material Flat gasket	NBR, conductive
Contact material	Copper alloy
Contact surface material	Ag
Contact carrier material	PC
Locking latch material	PA

## Cable/line

External cable diameter	6 mm ... 12 mm
	10 mm ... 12 mm (for UL 514 B)

## Mechanical properties

### Mechanical data

Locking type	Latch
Insertion/withdrawal cycles	≥ 500

## Environmental and real-life conditions

### Ambient conditions

Degree of protection	IP66 (with locked protective cover)
	IP67 (when plugged in)
Impact strength	IK08
Ambient temperature (operation)	-40 °C ... 100 °C

## Mounting

Mounting type	Screw mounting
Assembly note	Coding also using the CP-HC (1686478) coding profiles. HC-B6.. / HC-B10..for two coding profiles. HC-B16.. / HC-B24..for four coding profiles.
	Connectors may only be operated when there is no load/the power is switched off. Can be used for solid wires and stranded wires with ferrule.

# HC-STA-B06PT-BWSC-LS-M20-ELCAL - Connector set

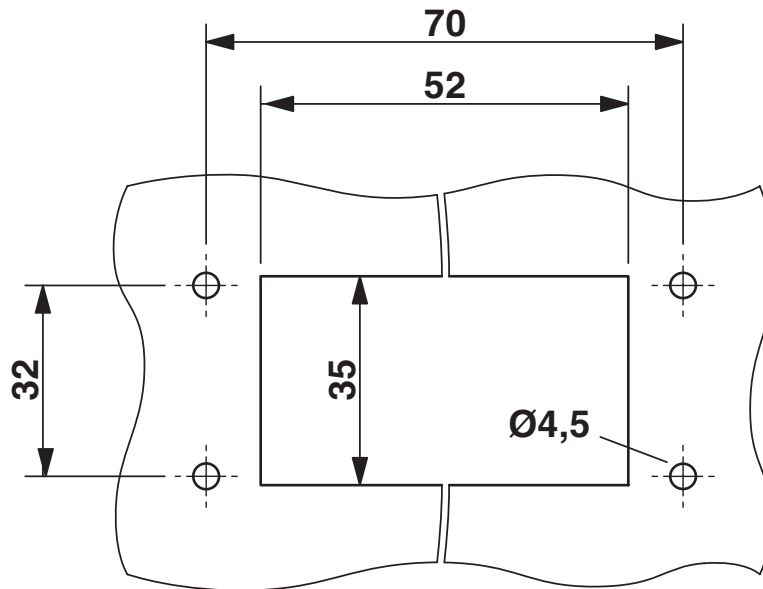


1416353

<https://www.phoenixcontact.com/us/products/1416353>

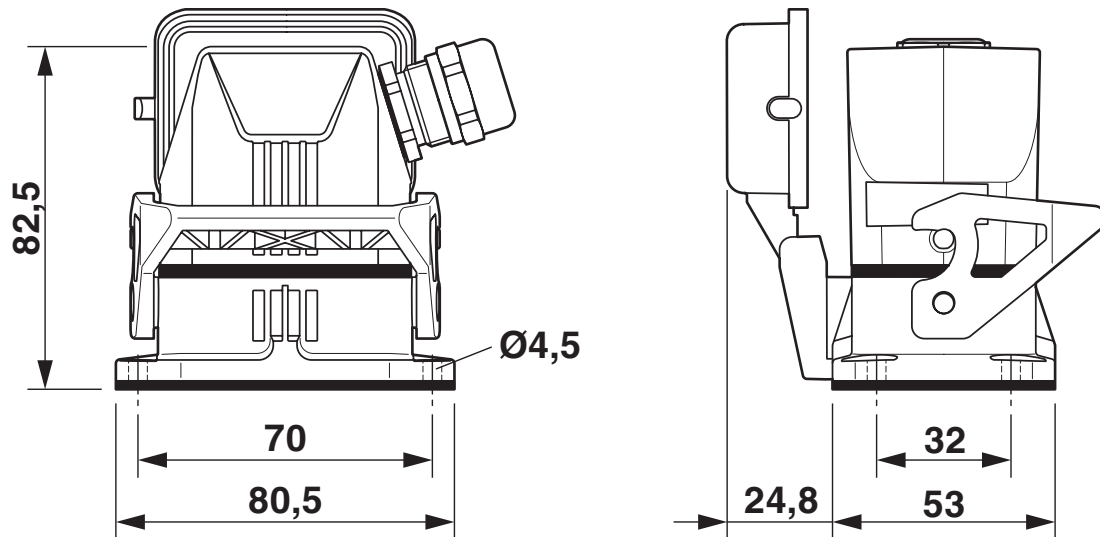
## Drawings

Dimensional drawing



Mounting cutout

Dimensional drawing



Dimensional drawing

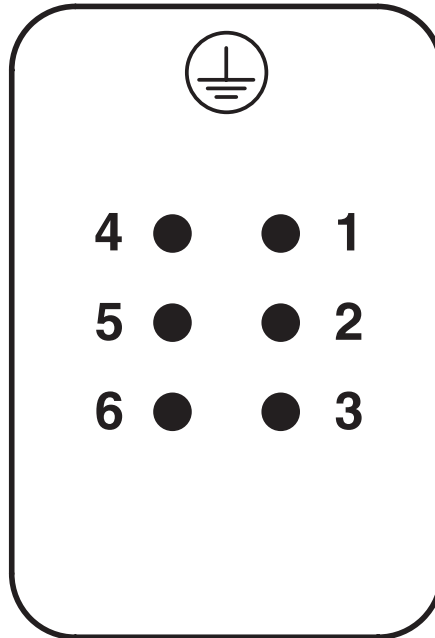
# HC-STA-B06PT-BWSC-LS-M20-ELCAL - Connector set



1416353

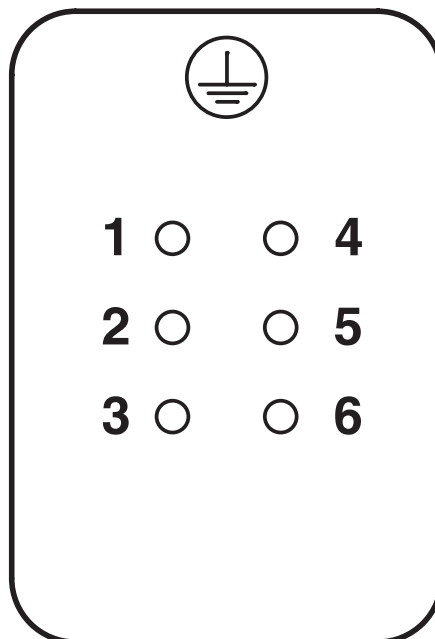
<https://www.phoenixcontact.com/us/products/1416353>

Schematic diagram



Pin assignment, connection side, pin

Schematic diagram



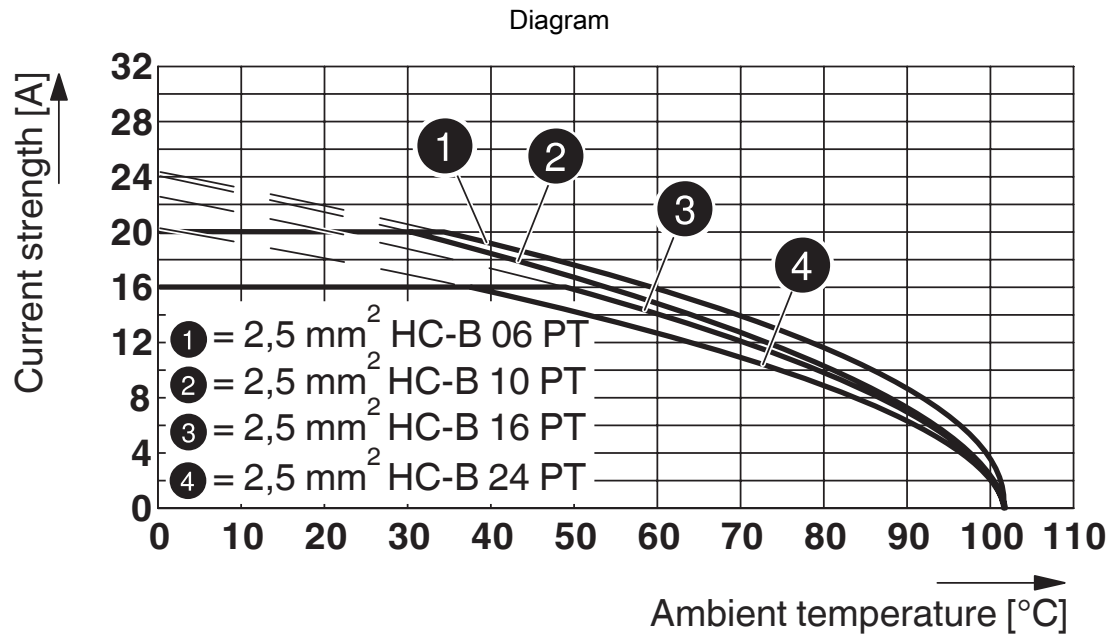
Pin assignment, connection side, socket

# HC-STA-B06PT-BWSC-LS-M20-ELCAL - Connector set



1416353

<https://www.phoenixcontact.com/us/products/1416353>



Derating diagram

# HC-STA-B06PT-BWSC-LS-M20-ELCAL - Connector set



1416353

<https://www.phoenixcontact.com/us/products/1416353>

## Approvals

🔗 To download certificates, visit the product detail page: <https://www.phoenixcontact.com/us/products/1416353>

**DNV**

Approval ID: TAE000037S



**EAC**

Approval ID: RU C-DE.AI30.B.01102

# HC-STA-B06PT-BWSC-LS-M20-ELCAL - Connector set



1416353

<https://www.phoenixcontact.com/us/products/1416353>

## Classifications

### ECLASS

ECLASS-13.0	27440113
ECLASS-15.0	27440113

### ETIM

ETIM 10.0	EC002636
-----------	----------

### UNSPSC

UNSPSC 21.0	39121400
-------------	----------

# HC-STA-B06PT-BWSC-LS-M20-ELCAL - Connector set



1416353

<https://www.phoenixcontact.com/us/products/1416353>

## Environmental product compliance

### EU RoHS

Fulfills EU RoHS substance requirements	Yes
Exemption	6(c)

### China RoHS

Environment friendly use period (EFUP)	EFUP-50
	An article-related China RoHS declaration table can be found in the download area for the respective article under "Manufacturer declaration". For all articles with EFUP-E, no China RoHS declaration table issued and required.

### EU REACH SVHC

REACH candidate substance (CAS No.)	Lead(CAS: 7439-92-1)
SCIP	c3fa4f17-4480-4b3a-b4e9-67b40a9c65b9

Phoenix Contact 2026 © - all rights reserved  
<https://www.phoenixcontact.com>

Phoenix Contact USA  
586 Fulling Mill Road  
Middletown, PA 17057, United States  
(+717) 944-1300  
[info@phoenixcon.com](mailto:info@phoenixcon.com)