

SAC-3P-MS/ 1,5-240/BI SCO - Sensor/actuator cable



1416324

<https://www.phoenixcontact.com/us/products/1416324>

Please be informed that the data shown in this PDF document is generated from our online catalog. Please find the complete data in the user documentation. Our general terms of use for downloads are valid.



Sensor/actuator cable, 3-position, PUR halogen-free, yellow, Plug straight M12 SPEEDCON, coding: A, on Valve connector BI (11 mm), cable length: 1.5 m

As shown in the illustration but with a yellow conductor

Commercial data

Item number	1416324
Packing unit	1 pc
Minimum order quantity	50 pc
Note	Made to order (non-returnable)
Product key	AF1DMA
GTIN	4055626067674
Weight per piece (including packing)	74.2 g
Weight per piece (excluding packing)	74.2 g
Country of origin	PL

1416324

<https://www.phoenixcontact.com/us/products/1416324>

Technical data

Product properties

Product type	Sensor/actuator cable with valve connector
Application	Standard
Number of positions	3
No. of cable outlets	1
Shielded	no
Coding	A

Insulation characteristics

Overvoltage category	III
Degree of pollution	3

Material specifications

Flammability rating according to UL 94	HB
Seal material	TPU
Material housing valve plug	TPU
Material of grip body	TPU
Contact material	CuSn
Contact surface material	Ni/Au
Contact carrier material	TPU GF
Contact material	CuSn
Valve plug contact insert material	PA 6.6
Contact surface material	Sn
Material for screw connection	Zinc die-cast, nickel-plated

Electrical properties

Insulation resistance	$\geq 100 \text{ M}\Omega$
Nominal voltage U_N	48 V AC
	60 V DC
Nominal current I_N	4 A

Mechanical properties

Mechanical data

Insertion/withdrawal cycles	≥ 100 (M12 connector)
-----------------------------	----------------------------

Connector

Connection 1

Type	Plug straight M12 SPEEDCON
Number of positions	3
Locking type	SPEEDCON
Coding type	A

SAC-3P-MS/ 1,5-240/BI SCO - Sensor/actuator cable



1416324

<https://www.phoenixcontact.com/us/products/1416324>

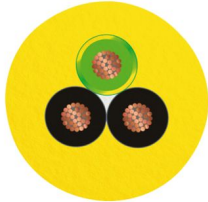
Connection 2

Type	Valve connector BI (11 mm)
Number of positions	3
Material	CuSn (Contact)
	Sn (Contact surface)
	PA 6.6 (Contact carrier)
	TPU (Housing)

Cable/line

Cable length	1.5 m
--------------	-------

PUR halogen-free yellow [240]

Dimensional drawing	
Cable weight	30 kg/km
UL AWM Style	20549 (80°C/300 V)
Number of positions	3
Shielded	no
Cable type	PUR halogen-free yellow [240]
Conductor structure signal line	28x 0.15 mm
AWG signal line	20
Conductor cross-section	3x 0.5 mm ²
Wire diameter incl. insulation	1.46 mm ±0.02 mm
External cable diameter	4.50 mm ±0.15 mm
Outer sheath, material	PUR
External sheath, color	yellow
Conductor material	Bare Cu litz wires
Material wire insulation	PP
Single wire, color	black 1, black 2, green/yellow
Thickness, insulation	≥ 0.21 mm
Thickness, outer sheath	approx. 0.60 mm
Overall twist	3 wires, twisted
Max. conductor resistance	≤ 39 Ω/km
Insulation resistance	≥ 10 GΩ*km
Nominal voltage, cable	≤ 300 V
Test voltage	≥ 3000 V
Minimum bending radius, fixed installation	5 x D
Minimum bending radius, flexible installation	10 x D

SAC-3P-MS/ 1,5-240/BI SCO - Sensor/actuator cable



1416324

<https://www.phoenixcontact.com/us/products/1416324>

Smallest bending radius, fixed installation	23 mm
Smallest bending radius, movable installation	45 mm
Halogen-free	in accordance with DIN VDE 0472 part 815
Flame resistance	in accordance with DIN UL-Style 20549
Resistance to oil	in accordance with DIN EN 60811-2-1
Ambient temperature (operation)	-15 °C ... 80 °C (cable, fixed installation)

Environmental and real-life conditions

Ambient conditions

Degree of protection	IP65
	IP67
Ambient temperature (operation)	-25 °C ... 90 °C (Plug / socket)
Ambient temperature (operation) (Valve connector)	-20 °C ... 85 °C (Valve connector)
Ambient temperature (operation) (Cable, fixed installation)	-40 °C ... 80 °C (cable, fixed installation)
Ambient temperature (operation) (Cable, flexible installation)	-15 °C ... 80 °C (Cable, flexible installation)

Standards and regulations

Standard designation	M12 connector
Standards/specifications	IEC 61076-2-101

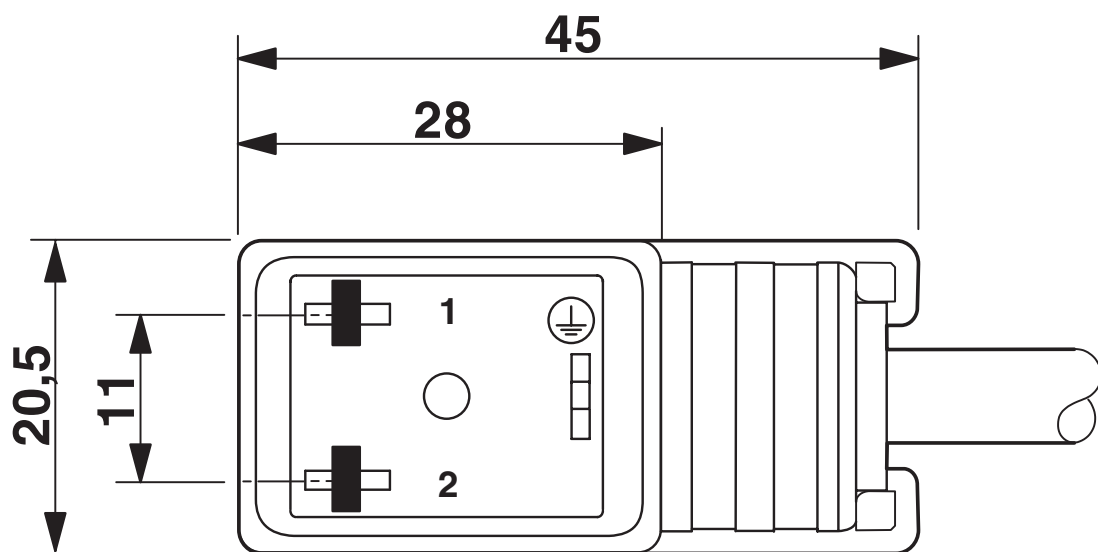
Drawings

Dimensional drawing



Plug, M12 x 1, straight, shielded

Dimensional drawing



Valve connector, type BI

SAC-3P-MS/ 1,5-240/BI SCO - Sensor/actuator cable



1416324

<https://www.phoenixcontact.com/us/products/1416324>



Valve connector, type BI, side view

Schematic diagram



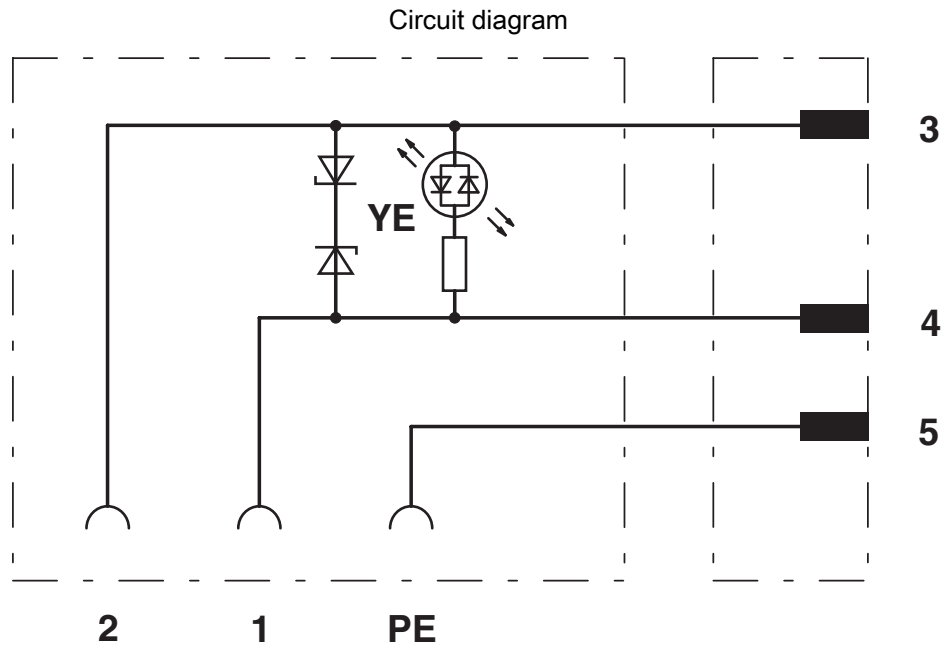
Pin assignment M12 plug, 3-pos., valve connector

SAC-3P-MS/ 1,5-240/BI SCO - Sensor/actuator cable



1416324

<https://www.phoenixcontact.com/us/products/1416324>



Contact assignment of M12 plug and valve connector

SAC-3P-MS/ 1,5-240/BI SCO - Sensor/actuator cable




1416324

<https://www.phoenixcontact.com/us/products/1416324>

Approvals

To download certificates, visit the product detail page: <https://www.phoenixcontact.com/us/products/1416324>

 CSAus Approval ID: 13631				
	Nominal voltage U_N	Nominal current I_N	Cross section AWG	Cross section mm^2
keine				
	24 V	4 A	-	-

1416324

<https://www.phoenixcontact.com/us/products/1416324>

Classifications

ECLASS

ECLASS-13.0	27060312
ECLASS-15.0	27060312

ETIM

ETIM 10.0	EC001855
-----------	----------

UNSPSC

UNSPSC 21.0	31251500
-------------	----------

SAC-3P-MS/ 1,5-240/BI SCO - Sensor/actuator cable



1416324

<https://www.phoenixcontact.com/us/products/1416324>

Environmental product compliance

EU RoHS

Fulfills EU RoHS substance requirements	Yes, No exemptions
---	--------------------

China RoHS

Environment friendly use period (EFUP)	EFUP-E
	No hazardous substances above the limits

EU REACH SVHC

REACH candidate substance (CAS No.)	No substance above 0.1 wt%
-------------------------------------	----------------------------

Phoenix Contact 2026 © - all rights reserved
<https://www.phoenixcontact.com>

Phoenix Contact USA
586 Fulling Mill Road
Middletown, PA 17057, United States
(+717) 944-1300
info@phoenixcon.com