

HC-B16-TFQ-H-O1STM(32-25)G - Housing



1416323

<https://www.phoenixcontact.com/us/products/1416323>

Please be informed that the data shown in this PDF document is generated from our online catalog. Please find the complete data in the user documentation. Our general terms of use for downloads are valid.



Sleeve housing B16, for double locking latch, material: Die-cast aluminum, cable outlets: 2, straight/straight, 1x M25 / 1x M32, height: 76 mm, cable gland: none

The photo shows the housing with a thread

Commercial data

Item number	1416323
Packing unit	10 pc
Minimum order quantity	10 pc
Product key	AF7AAA
GTIN	4055626067957
Weight per piece (including packing)	22.22 g
Weight per piece (excluding packing)	22.22 g
Country of origin	DE

1416323

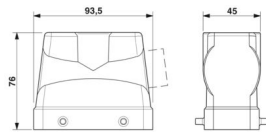
<https://www.phoenixcontact.com/us/products/1416323>

Technical data

Product properties

Product type	Housing with screw locking
Housing type	Sleeve housing
Type	B16
No. of cable outlets	2
Type of the screw connection	1x M25 / 1x M32
Cable outlet	straight
Pg screw connection	none

Dimensions

Dimensional drawing	
Width	43 mm
Height	76 mm
Length	94 mm

Material specifications

Housing material	Die-cast aluminum
Housing surface material	Powder-coated, gray

Environmental and real-life conditions

Ambient conditions

Degree of protection	IP65
Ambient temperature (operation)	-40 °C ... 125 °C

Mechanical properties

Mechanical data

Type of the screw connection	1x M25 / 1x M32
------------------------------	-----------------

HC-B16-TFQ-H-O1STM(32-25)G - Housing

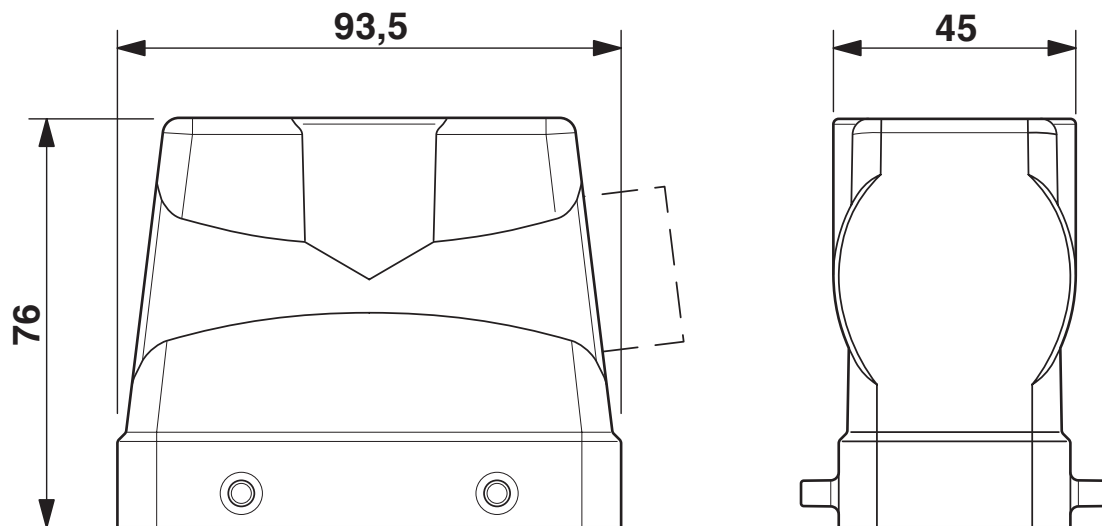
1416323

<https://www.phoenixcontact.com/us/products/1416323>



Drawings

Dimensional drawing



The dimensional drawing shows the housing with a thread

HC-B16-TFQ-H-O1STM(32-25)G - Housing

1416323

<https://www.phoenixcontact.com/us/products/1416323>



Classifications

ECLASS

ECLASS-13.0	27440202
ECLASS-15.0	27440202

HC-B16-TFQ-H-O1STM(32-25)G - Housing



1416323

<https://www.phoenixcontact.com/us/products/1416323>

Environmental product compliance

China RoHS

Environment friendly use period (EFUP)	EFUP-E
	No hazardous substances above the limits

EU REACH SVHC

REACH candidate substance (CAS No.)	No substance above 0.1 wt%
-------------------------------------	----------------------------

Phoenix Contact 2026 © - all rights reserved
<https://www.phoenixcontact.com>

Phoenix Contact USA
586 Fulling Mill Road
Middletown, PA 17057, United States
(+717) 944-1300
info@phoenixcon.com