

SAC-ASIFCTPE25M+2SEALHP SET DS - Flat cable



1416313

<https://www.phoenixcontact.com/us/products/1416313>

Please be informed that the data shown in this PDF document is generated from our online catalog. Please find the complete data in the user documentation. Our general terms of use for downloads are valid.



AS-Interface TPE flat-ribbon conductor with UL in black, for additional energy supply, 2 x 1.5 mm², 25 m ring, with end clip for AS-Interface

Commercial data

Item number	1416313
Packing unit	1 pc
Minimum order quantity	50 pc
Product key	AF1LFA
GTIN	4055626069098
Weight per piece (including packing)	1,617 g
Weight per piece (excluding packing)	1,610 g
Country of origin	DE

SAC-ASIFCTPE25M+2SEALHP SET DS - Flat cable



1416313

<https://www.phoenixcontact.com/us/products/1416313>

Technical data

Product properties

Product type	Cable by the meter
Number of positions	2
Shielded	no

Interfaces

Signal type/category	AS-Interface
----------------------	--------------

Cable/line

Cable length	25 m
Cable weight	64 kg/km
Number of positions	2
Shielded	no
Conductor structure	2 x 1.5 mm ²
Conductor type	Flat cable
Conductor structure, voltage supply	84x 0.15 mm
AWG power supply	16
Conductor cross-section	1.5 mm ²
Wire diameter incl. insulation	2.5 mm
Outer sheath, material	TPE
External sheath, color	black RAL 9005
Conductor material	Bare Cu litz wires
Material wire insulation	TPE
Single wire, color	brown, blue
Thickness, insulation	approx. 0.50 mm
Max. conductor resistance	≤ 13.7 Ω/km
Insulation resistance	≥ 1 MΩ*km
Nominal voltage, cable	48 V
Test voltage	2000 V
Smallest bending radius, fixed installation	≥ 6 mm (one-time)
Dynamic load capacity (bending)	Max. bending cycles: 8000000, Bending radius: 75 mm, Traversing direction: horizontal, above the broadside, Traversing rate: 4 m/s, Acceleration: 4 m/s ² Max. bending cycles: 10000000, Bending radius: 50 mm, Traversing direction: vertical, above the broadside
Halogen-free	no
Flame resistance	UL 1581, Sec. 1061 (Cable Flame) IEC 60332-1-2
Resistance to oil	UL 1581, Sec. 480 (60 °C)
Other resistance	UV resistant
Special properties	UL-Style 2103 CSA-File LL55255-42

SAC-ASIFCTPE25M+2SEALHP SET DS - Flat cable



1416313

<https://www.phoenixcontact.com/us/products/1416313>

Ambient temperature (operation)	-40 °C ... 105 °C (cable, fixed installation)
	-30 °C ... 105 °C (Cable, flexible installation)

Environmental and real-life conditions

Ambient conditions

Ambient temperature (operation)	-30 °C ... 105 °C (Flexibly installed)
	-40 °C ... 105 °C (fixed routing)
	-20 °C ... 70 °C (Seal)

SAC-ASIFCTPE25M+2SEALHP SET DS - Flat cable

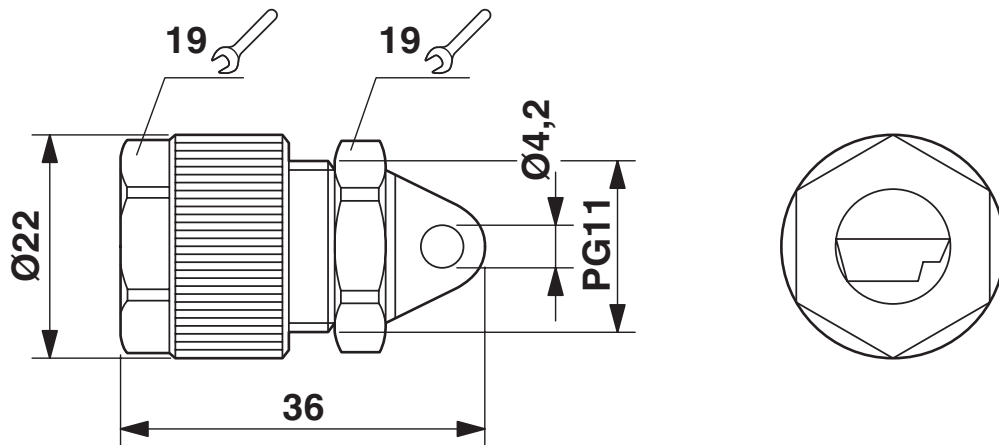


1416313

<https://www.phoenixcontact.com/us/products/1416313>

Drawings

Dimensional drawing



SAC-ASIFCTPE25M+2SEALHP SET DS - Flat cable



1416313

<https://www.phoenixcontact.com/us/products/1416313>

Classifications

ECLASS

ECLASS-13.0	27061801
ECLASS-15.0	27061801

UNSPSC

UNSPSC 21.0	26121600
-------------	----------

SAC-ASIFCTPE25M+2SEALHP SET DS - Flat cable



1416313

<https://www.phoenixcontact.com/us/products/1416313>

Environmental product compliance

EU RoHS

Fulfills EU RoHS substance requirements	Yes, No exemptions
---	--------------------

China RoHS

Environment friendly use period (EFUP)	EFUP-E
	No hazardous substances above the limits

EU REACH SVHC

REACH candidate substance (CAS No.)	No substance above 0.1 wt%
-------------------------------------	----------------------------

Phoenix Contact 2026 © - all rights reserved
<https://www.phoenixcontact.com>

Phoenix Contact USA
586 Fulling Mill Road
Middletown, PA 17057, United States
(+717) 944-1300
info@phoenixcon.com