

# VS-PPC/ME-M12MS-93R-LI/5,0 - Network cable



1416258

<https://www.phoenixcontact.com/us/products/1416258>

Please be informed that the data shown in this PDF document is generated from our online catalog. Please find the complete data in the user documentation. Our general terms of use for downloads are valid.



Network cable, PROFINET CAT5 (100 Mbps), 4-position, PUR halogen-free, green RAL 6018, Plug straight RJ45 Push Pull / IP67, on Plug straight M12 / IP67, cable length: 2 m

## Commercial data

Item number	1416258
Packing unit	1 pc
Minimum order quantity	1 pc
Product key	AF1CJN
GTIN	4046356473439
Weight per piece (including packing)	340 g
Weight per piece (excluding packing)	323.85 g
Country of origin	PL

1416258

<https://www.phoenixcontact.com/us/products/1416258>

## Technical data

### Product properties

Product type	Data cable preassembled
Application	Standard
Sensor type	PROFINET
Number of positions	4
No. of cable outlets	1
Shielded	yes

### Interfaces

Signal type/category	PROFINET CAT5 (IEC 11801), 100 Mbps
----------------------	-------------------------------------

### Electrical properties

Nominal voltage $U_N$	48 V AC
	60 V DC
Transmission medium	Copper
Transmission speed	100 Mbps
Transmission characteristics (category)	CAT5 (IEC 11801:2002)

### Mechanical properties

#### Mechanical data

Insertion/withdrawal cycles	$\geq 100$
-----------------------------	------------

### Connector

#### Connection 1

Type	Plug straight RJ45 Push Pull / IP67
Number of positions	4
Locking type	Push Pull
Handle color	silver-colored
Material	Metal
Degree of protection	IP67

#### Connection 2

Type	Plug straight M12 / IP67
Number of positions	4
Handle color	black
Material	Plastic
Degree of protection	IP67

### Cable/line

Cable length	2 m
--------------	-----


PROFINET robot CAT5 [93R]

# VS-PPC/ME-M12MS-93R-LI/5,0 - Network cable



1416258

<https://www.phoenixcontact.com/us/products/1416258>

Dimensional drawing	
Cable weight	55 kg/km
UL AWM Style	20233 (80°C/300 V)
Number of positions	4
Shielded	yes
Cable type	PROFINET robot CAT5 [93R]
Conductor structure	1x4xAWG22/19, S/TQ
Signal runtime	4.8 ns/m
Conductor structure signal line	19x 0.15 mm
AWG signal line	22
Conductor cross-section	4x 0.34 mm <sup>2</sup>
Wire diameter incl. insulation	1.5 mm
External cable diameter	6.50 mm ±0.2 mm
Outer sheath, material	PUR
External sheath, color	green RAL 6018
Conductor material	Tin-plated Cu litz wires
Material wire insulation	Foamed PE
Single wire, color	white, yellow, blue, orange
Thickness, outer sheath	approx. 1.00 mm
Overall twist	Star quad
Optical shield covering	85 %
Insulation resistance	≥ 500 MΩ*km
Loop resistance	≤ 120.00 Ω/km
Wave impedance	100 Ω ±5 Ω (at 100 MHz)
Nominal voltage, cable	300 V
Test voltage Core/Core	2000 V (50 Hz, 1 min.)
Test voltage Core/Shield	2000.00 V (50 Hz, 1 min.)
Minimum bending radius, fixed installation	5 x D
Smallest bending radius, fixed installation	33 mm
Dynamic load capacity (torsion)	Torsion: ±180 °/m, Torsion cycles: 1000000
Shield attenuation	2.9 dB (with 1 MHz)
	5 dB (at 4 MHz)
	8.1 dB (at 10 MHz)
	10.4 dB (at 16 MHz)
	11.9 dB (at 20 MHz)
	15.5 dB (at 31.25 MHz)
	26.5 dB (at 62.5 MHz)

# VS-PPC/ME-M12MS-93R-LI/5,0 - Network cable



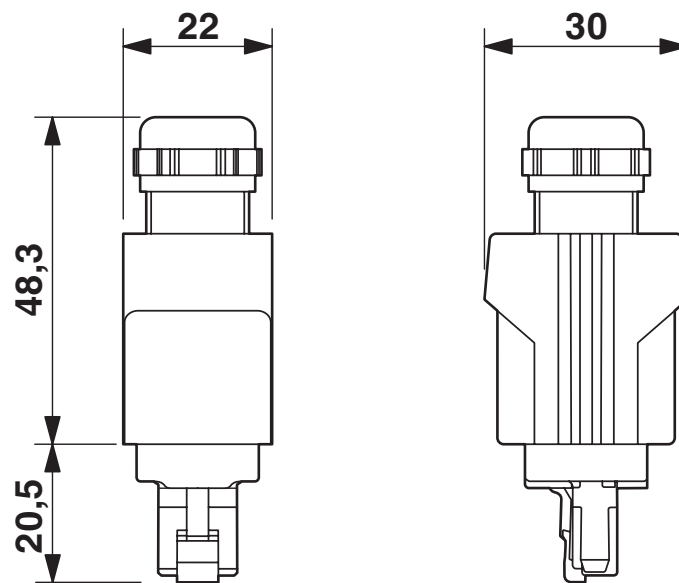
1416258

<https://www.phoenixcontact.com/us/products/1416258>

	41 dB (at 100 MHz)
Halogen-free	according to IEC 60754-1
Flame resistance	according to IEC 60332-1-2
Resistance to oil	in accordance with DIN EN 60811-2-1
Other resistance	UV resistant (according to UL 1581, Section 1200)
Ambient temperature (operation)	-40 °C ... 80 °C
	-40 °C ... 80 °C
Ambient temperature (installation)	-20 °C ... 60 °C

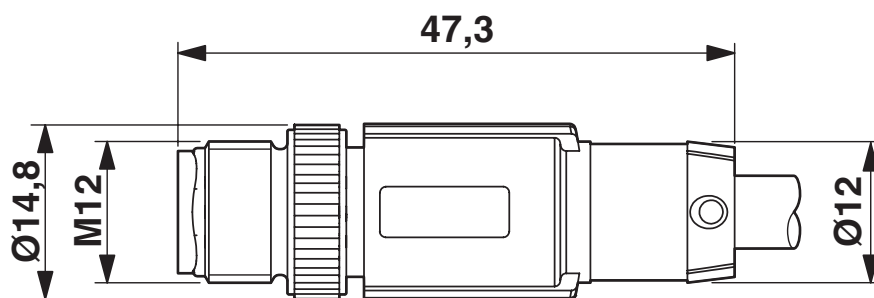
Drawings

Dimensional drawing



Push-pull RJ45 connector IP65/67

Dimensional drawing



Plug, M12 x 1, straight, shielded

# VS-PPC/ME-M12MS-93R-LI/5,0 - Network cable



1416258

<https://www.phoenixcontact.com/us/products/1416258>

## Classifications

### ECLASS

ECLASS-13.0	27060307
ECLASS-15.0	27060307

### ETIM

ETIM 10.0	EC001855
-----------	----------

### UNSPSC

UNSPSC 21.0	26121600
-------------	----------

1416258

<https://www.phoenixcontact.com/us/products/1416258>

## Environmental product compliance

### EU RoHS

Fulfills EU RoHS substance requirements	Yes, No exemptions
---	--------------------

### China RoHS

Environment friendly use period (EFUP)	EFUP-E
	No hazardous substances above the limits

### EU REACH SVHC

REACH candidate substance (CAS No.)	6,6'-di-tert-butyl-2,2'-methylenedi-p-cresol(CAS: 119-47-1)
	2-(2H-benzotriazol-2-yl)-4-(1,1,3,3-tetramethylbutyl)phenol (UV-329)(CAS: 3147-75-9)
SCIP	d0f5f7ef-b87a-4385-ba0e-2402117ab86e

### EF3.1 Climate Change

CO2e kg	5.886 kg CO2e
---------	---------------

Phoenix Contact 2026 © - all rights reserved  
<https://www.phoenixcontact.com>

Phoenix Contact USA  
 586 Fulling Mill Road  
 Middletown, PA 17057, United States  
 (+717) 944-1300  
[info@phoenixcon.com](mailto:info@phoenixcon.com)