

# VS-M12MS-IP20-93R-LI/2,0 - Network cable



1416242

<https://www.phoenixcontact.com/us/products/1416242>

Please be informed that the data shown in this PDF document is generated from our online catalog. Please find the complete data in the user documentation. Our general terms of use for downloads are valid.



Network cable, PROFINET CAT5 (100 Mbps), 4-position, PUR halogen-free, green RAL 6018, Plug straight M12, coding: D / IP67, on Plug straight RJ45 / IP20, cable length: 2 m

## Commercial data

Item number	1416242
Packing unit	1 pc
Minimum order quantity	1 pc
Sales key	BF04
Product key	AF1CJN
GTIN	4046356473385
Weight per piece (including packing)	148.4 g
Weight per piece (excluding packing)	142.74 g
Customs tariff number	85444210
Country of origin	PL

# VS-M12MS-IP20-93R-LI/2,0 - Network cable



1416242

<https://www.phoenixcontact.com/us/products/1416242>

## Technical data

### Product properties

Product type	Data cable preassembled
Application	Standard
Sensor type	PROFINET
Number of positions	4
No. of cable outlets	1
Shielded	yes

### Interfaces

Signal type/category	PROFINET CAT5 (IEC 11801), 100 Mbps
----------------------	-------------------------------------

### Electrical properties

Nominal voltage $U_N$	48 V AC
	60 V DC
Transmission medium	Copper
Transmission speed	100 Mbps
Transmission characteristics (category)	CAT5 (IEC 11801:2002)

### Mechanical properties

#### Mechanical data

Insertion/withdrawal cycles	$\geq 100$
-----------------------------	------------

### Connector

#### Connection 1

Type	Plug straight M12 / IP67
Number of positions	4
Coding type	D (Data)
Handle color	black
Degree of protection	IP67

#### Connection 2

Type	Plug straight RJ45 / IP20
Number of positions	4
Handle color	gray
Degree of protection	IP20

### Cable/line

Cable length	2 m
--------------	-----


PROFINET robot CAT5 [93R]

# VS-M12MS-IP20-93R-LI/2,0 - Network cable



1416242

<https://www.phoenixcontact.com/us/products/1416242>

Dimensional drawing	
Cable weight	55 kg/km
UL AWM Style	20233 (80°C/300 V)
Number of positions	4
Shielded	yes
Cable type	PROFINET robot CAT5 [93R]
Conductor structure	1x4xAWG22/19, S/TQ
Signal runtime	4.8 ns/m
Conductor structure signal line	19x 0.15 mm
AWG signal line	22
Conductor cross-section	4x 0.34 mm <sup>2</sup>
Wire diameter incl. insulation	1.5 mm
External cable diameter	6.50 mm ±0.2 mm
Outer sheath, material	PUR
External sheath, color	green RAL 6018
Conductor material	Tin-plated Cu litz wires
Material wire insulation	Foamed PE
Single wire, color	white, yellow, blue, orange
Thickness, outer sheath	approx. 1.00 mm
Overall twist	Star quad
Optical shield covering	85 %
Insulation resistance	≥ 500 MΩ*km
Loop resistance	≤ 120.00 Ω/km
Wave impedance	100 Ω ±5 Ω (at 100 MHz)
Nominal voltage, cable	300 V
Test voltage Core/Core	2000 V (50 Hz, 1 min.)
Test voltage Core/Shield	2000.00 V (50 Hz, 1 min.)
Minimum bending radius, fixed installation	5 x D
Smallest bending radius, fixed installation	33 mm
Dynamic load capacity (torsion)	Torsion: ±180 °/m, Torsion cycles: 1000000
Shield attenuation	2.9 dB (with 1 MHz)
	5 dB (at 4 MHz)
	8.1 dB (at 10 MHz)
	10.4 dB (at 16 MHz)
	11.9 dB (at 20 MHz)
	15.5 dB (at 31.25 MHz)
	26.5 dB (at 62.5 MHz)

# VS-M12MS-IP20-93R-LI/2,0 - Network cable



1416242

<https://www.phoenixcontact.com/us/products/1416242>

	41 dB (at 100 MHz)
Halogen-free	according to IEC 60754-1
Flame resistance	according to IEC 60332-1-2
Resistance to oil	in accordance with DIN EN 60811-2-1
Other resistance	UV resistant (according to UL 1581, Section 1200)
Ambient temperature (operation)	-40 °C ... 80 °C
	-40 °C ... 80 °C
Ambient temperature (installation)	-20 °C ... 60 °C

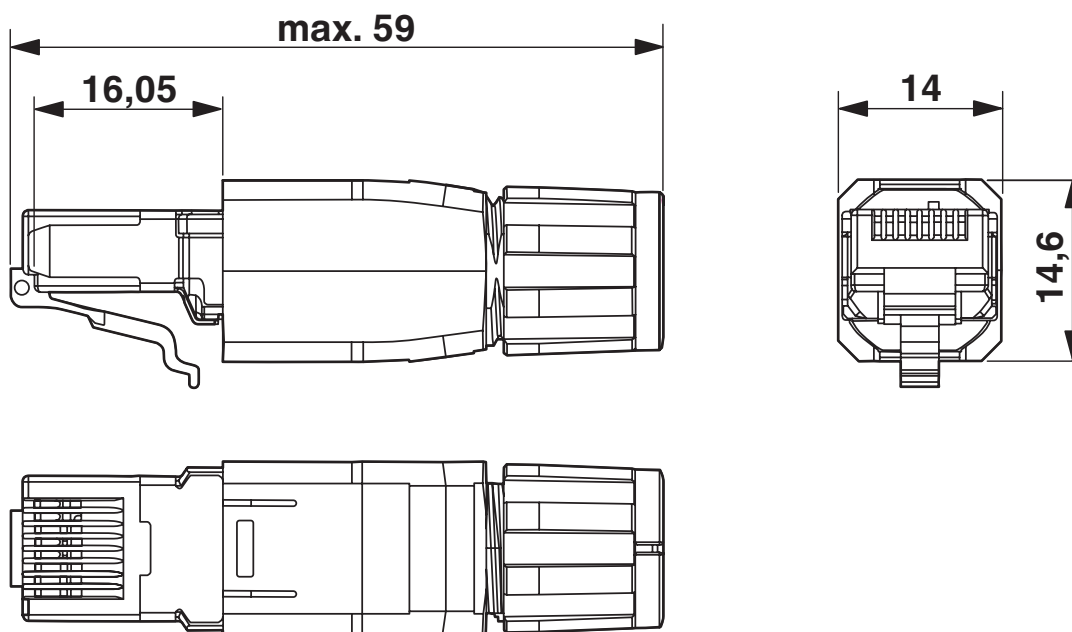
# VS-M12MS-IP20-93R-LI/2,0 - Network cable

1416242

<https://www.phoenixcontact.com/us/products/1416242>

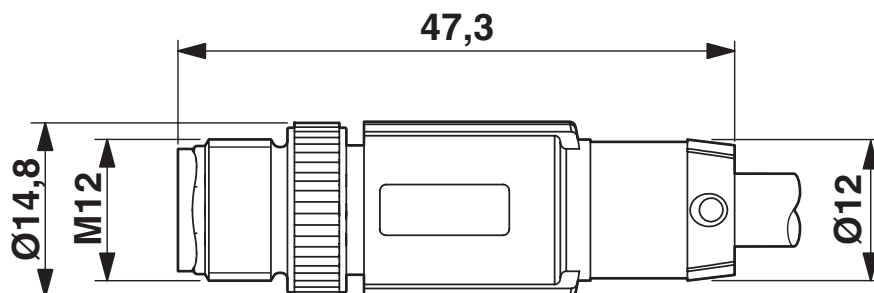
## Drawings

Dimensional drawing



RJ45 connector, IP20

Dimensional drawing



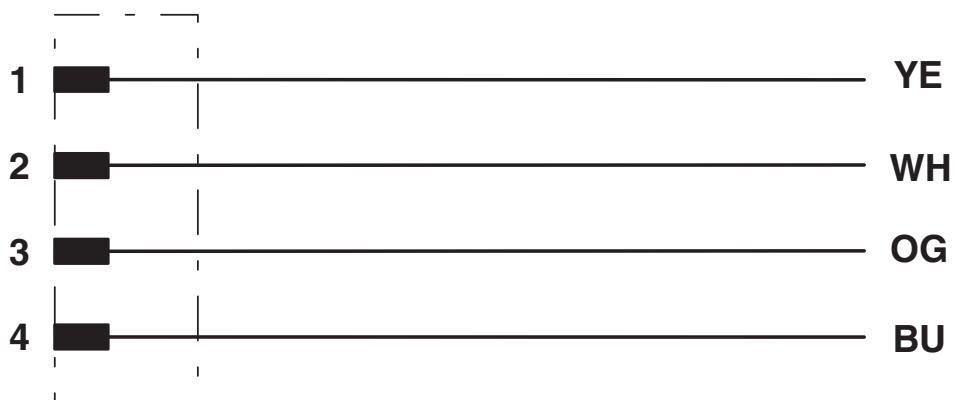
Plug, M12 x 1, straight, shielded

Schematic diagram



Pin assignment M12 male connector, 4-pos., D-coded, male side

Circuit diagram



Contact assignment of the M12 connector

# VS-M12MS-IP20-93R-LI/2,0 - Network cable



1416242

<https://www.phoenixcontact.com/us/products/1416242>

## Classifications

### ECLASS

ECLASS-13.0	27060307
ECLASS-15.0	27060307

### ETIM

ETIM 10.0	EC001855
-----------	----------

### UNSPSC

UNSPSC 21.0	26121600
-------------	----------

# VS-M12MS-IP20-93R-LI/2,0 - Network cable



1416242

<https://www.phoenixcontact.com/us/products/1416242>

## Environmental product compliance

### EU RoHS

Fulfills EU RoHS substance requirements	Yes, No exemptions
-----------------------------------------	--------------------

### China RoHS

Environment friendly use period (EFUP)	EFUP-E
	No hazardous substances above the limits

### EU REACH SVHC

REACH candidate substance (CAS No.)	2-(2H-benzotriazol-2-yl)-4-(1,1,3,3-tetramethylbutyl)phenol (UV-329)(CAS: 3147-75-9)
SCIP	f2f955b5-7b6c-4e2e-bf44-de5ecde74e63

### EF3.1 Climate Change

CO2e kg	3.015 kg CO2e
---------	---------------

Phoenix Contact 2026 © - all rights reserved  
<https://www.phoenixcontact.com>

Phoenix Contact USA  
586 Fulling Mill Road  
Middletown, PA 17057, United States  
(+717) 944-1300  
[info@phoenixcon.com](mailto:info@phoenixcon.com)