

A-INL-NPT3/8-N-S - Counter nut

1416009

<https://www.phoenixcontact.com/us/products/1416009>

Please be informed that the data shown in this PDF document is generated from our online catalog. Please find the complete data in the user documentation. Our general terms of use for downloads are valid.

Counter nut, for threads 3/8"-NPT, color: silver-colored



Commercial data

Item number	1416009
Packing unit	10 pc
Minimum order quantity	10 pc
Sales key	BF68
Product key	AF7DZX
GTIN	4055626056104
Weight per piece (including packing)	8.11 g
Weight per piece (excluding packing)	8.11 g
Customs tariff number	74153300
Country of origin	IN

A-INL-NPT3/8-N-S - Counter nut

1416009

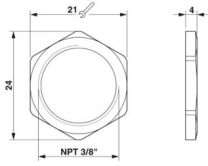
<https://www.phoenixcontact.com/us/products/1416009>

Technical data

Product properties

Product type	Flat nut
Thread type	3/8"-NPT

Dimensions

Dimensional drawing	
Length	4 mm
Diameter	16.6 mm
Connecting thread diameter	16.6 mm
Wrench size, counter nut	21 mm
Hexagon angular dimension	24 mm
Thread type connection side	3/8"-NPT

Material specifications

Material	Brass, nickel-plated
----------	----------------------

Cable/line

Halogen-free	yes
--------------	-----

Environmental and real-life conditions

Ambient conditions

Ambient temperature (operation)	-70 °C ... 220 °C
---------------------------------	-------------------

A-INL-NPT3/8-N-S - Counter nut

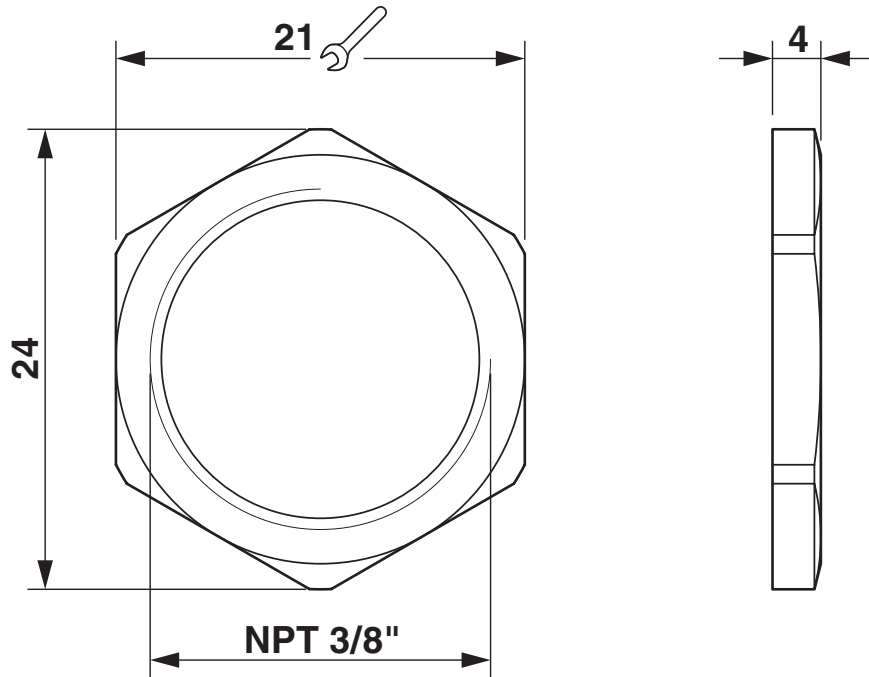
1416009

<https://www.phoenixcontact.com/us/products/1416009>



Drawings

Dimensional drawing



Dimensional drawing

A-INL-NPT3/8-N-S - Counter nut



1416009

<https://www.phoenixcontact.com/us/products/1416009>

Classifications

ECLASS

ECLASS-13.0	27140807
ECLASS-15.0	27140807

ETIM

ETIM 10.0	EC003608
-----------	----------

UNSPSC

UNSPSC 21.0	31161700
-------------	----------

A-INL-NPT3/8-N-S - Counter nut



1416009

<https://www.phoenixcontact.com/us/products/1416009>

Environmental product compliance

EU RoHS

Fulfills EU RoHS substance requirements	Yes
Exemption	6(c)

China RoHS

Environment friendly use period (EFUP)	EFUP-50
	An article-related China RoHS declaration table can be found in the download area for the respective article under "Manufacturer declaration". For all articles with EFUP-E, no China RoHS declaration table issued and required.

EU REACH SVHC

REACH candidate substance (CAS No.)	Lead(CAS: 7439-92-1)
SCIP	6599ad66-ee52-48b9-9432-1f446166d0c7

Phoenix Contact 2026 © - all rights reserved

<https://www.phoenixcontact.com>

Phoenix Contact USA
586 Fulling Mill Road
Middletown, PA 17057, United States
(+717) 944-1300
info@phoenixcon.com