

# SAC-3P- 3,0-PVC/CI-1L-Z - Sensor/actuator cable



1415939

<https://www.phoenixcontact.com/us/products/1415939>

Please be informed that the data shown in this PDF document is generated from our online catalog. Please find the complete data in the user documentation. Our general terms of use for downloads are valid.



Sensor/actuator cable, 3-position, PVC, black RAL 9005, free cable end, on Valve connector CI (9.4 mm), with 1 LED, Wiring: Z diode, cable length: 3 m

## Your advantages

- Easy and safe: 100 % electrically tested plug-in components
- Convenient: increased machine availability thanks to quick and easy diagnostics

## Commercial data

|                                      |               |
|--------------------------------------|---------------|
| Item number                          | 1415939       |
| Packing unit                         | 1 pc          |
| Minimum order quantity               | 1 pc          |
| Sales key                            | BF07          |
| Product key                          | AF1DFA        |
| GTIN                                 | 4055626055145 |
| Weight per piece (including packing) | 124.7 g       |
| Weight per piece (excluding packing) | 119 g         |
| Customs tariff number                | 85444290      |
| Country of origin                    | PL            |

## Technical data

### Product properties

|                      |  |
|----------------------|--|
| Product type         | Sensor/actuator cable with valve connector |
| Application          | Standard                                   |
| Number of positions  | 3  |
| No. of cable outlets | 1  |
| Shielded             | no   |

### Insulation characteristics

|                      |     |
|----------------------|-----|
| Overvoltage category | III |
| Degree of pollution  | 3   |

### Material specifications

|  |        |
|--|--------|
| Flammability rating according to UL 94 | V0     |
| Seal material                          | TPU    |
| Material housing valve plug            | TPU    |
| Contact material                       | CuSn   |
| Valve plug contact insert material     | PA 6.6 |
| Contact surface material               | Sn     |

### Electrical properties

|                       |          |
|-----------------------|----------|
| Insulation resistance | ≥ 100 MΩ |
| Nominal voltage $U_N$ | 24 V AC  |
|                       | 24 V DC  |
| Nominal current $I_N$ | 4 A      |

### Valve connector characteristics

|                  |                                    |
|------------------|------------------------------------|
| Fixing screws    | M3 x 29                            |
| Pulse power      | 40 W (at 100 μs square-wave pulse) |
| Terminal voltage | 70 V (at 2 mA constant current)    |
| Reverse voltage  | 50 V                               |

### Signaling

|                        |       |
|------------------------|-------|
| Status display         | 1 LED |
| Status display present | yes   |

### Connector

#### Connection 1

|      |                |
|------|----------------|
| Type | free cable end |
|------|----------------|

#### Connection 2

|                     |                             |
|---------------------|-----------------------------|
| Type                | Valve connector CI (9.4 mm) |
| Number of positions | 3                           |
|                     | CuSn (Contact)              |

# SAC-3P- 3,0-PVC/CI-1L-Z - Sensor/actuator cable



1415939

<https://www.phoenixcontact.com/us/products/1415939>

|                    |                          |
|--------------------|--------------------------|
| Material           | Sn (Contact surface)     |
|                    | PA 6.6 (Contact carrier) |
|                    | TPU (Housing)            |
| Protective circuit | Z diode                  |

## Cable/line

|              |     |
|--------------|-----|
| Cable length | 3 m |
|--------------|-----|

### PVC black [PVC]

|   |  |
|---|--|
| Dimensional drawing                         |  |
| Cable weight                                | 38.6 kg/km   |
| UL AWM Style                                | 2464   |
| Number of positions                         | 3  |
| Shielded                                    | no   |
| Cable type                                  | PVC black [PVC]  |
| Conductor structure signal line             | 16x 0.20 mm  |
| AWG signal line                             | 20   |
| Conductor cross-section                     | 3x 0.5 mm <sup>2</sup>   |
| Wire diameter incl. insulation              | 1.5 mm ±0.05 mm  |
| External cable diameter                     | 4.80 mm ±0.2 mm  |
| Outer sheath, material                      | PVC  |
| External sheath, color                      | black RAL 9005   |
| Conductor material                          | Bare Cu litz wires   |
| Material wire insulation                    | PVC  |
| Single wire, color                          | black 1, black 2, green/yellow   |
| Overall twist                               | 3 wires, twisted   |
| Max. conductor resistance                   | 39 Ω/km (at 20 °C)   |
| Insulation resistance                       | ≥ 20 MΩ*km   |
| Nominal voltage, cable                      | 300 V  |
| Test voltage                                | 1200 V   |
| Minimum bending radius, fixed installation  | 5 x D  |
| Smallest bending radius, fixed installation | 24 mm  |
| Flame resistance                            | DIN VDE 0482   |
|   | DIN EN 50265-2-1   |
| Resistance to oil                           | in accordance with DIN EN 60811-2-1  |
| Ambient temperature (operation)             | -40 °C ... 80 °C (cable, fixed installation)                                       |
|   | -5 °C ... 80 °C (Cable, flexible installation)                                     |

# SAC-3P- 3,0-PVC/CI-1L-Z - Sensor/actuator cable



1415939

<https://www.phoenixcontact.com/us/products/1415939>

## Environmental and real-life conditions

### Ambient conditions

|   |                                    |
|---|------------------------------------|
| Degree of protection                              | IP65                               |
|   | IP67                               |
| Ambient temperature (operation) (Valve connector) | -20 °C ... 85 °C (Valve connector) |

## Standards and regulations

### Valve connector

|                          |                 |
|--------------------------|-----------------|
| Standard designation     | Valve connector |
| Standards/specifications | EN 175301-803   |

# SAC-3P- 3,0-PVC/CI-1L-Z - Sensor/actuator cable



1415939

<https://www.phoenixcontact.com/us/products/1415939>

## Drawings

Dimensional drawing



Valve connector, type CI

Dimensional drawing

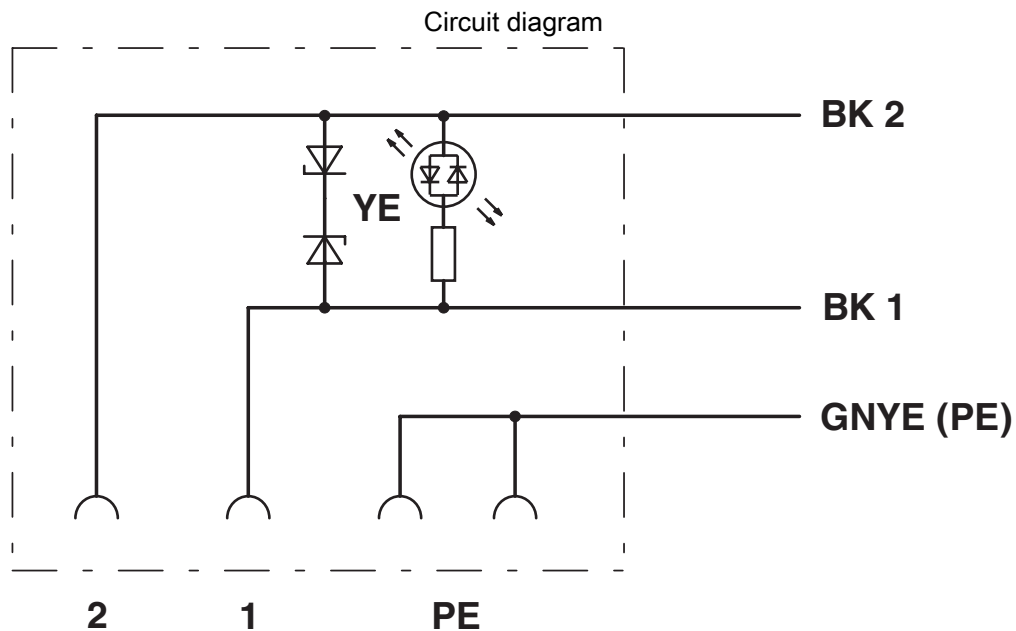


Valve connector, type CI, side view

Schematic diagram



Valve connector connector pin assignment, type CI



Contact assignment of the valve plug

# SAC-3P- 3,0-PVC/CI-1L-Z - Sensor/actuator cable



1415939

<https://www.phoenixcontact.com/us/products/1415939>

## Approvals

To download certificates, visit the product detail page: <https://www.phoenixcontact.com/us/products/1415939>



**EAC-RoHS**

Approval ID: RU D-DE.HB35.B.00387



**CSAus**

Approval ID: 13631

|       | Nominal voltage $U_N$ | Nominal current $I_N$ | Cross section AWG | Cross section $\text{mm}^2$ |
|-------|-----------------------|-----------------------|-------------------|-----------------------------|
| keine |                       |                       |                   |                             |
|       | 24 V                  | 6 A                   | -                 | -                           |

# SAC-3P- 3,0-PVC/CI-1L-Z - Sensor/actuator cable



1415939

<https://www.phoenixcontact.com/us/products/1415939>

## Classifications

### ECLASS

|             |          |
|-------------|----------|
| ECLASS-13.0 | 27060312 |
| ECLASS-15.0 | 27060312 |

### ETIM

|           |          |
|-----------|----------|
| ETIM 10.0 | EC001855 |
|-----------|----------|

### UNSPSC

|             |          |
|-------------|----------|
| UNSPSC 21.0 | 31251500 |
|-------------|----------|

# SAC-3P- 3,0-PVC/CI-1L-Z - Sensor/actuator cable



1415939

<https://www.phoenixcontact.com/us/products/1415939>

## Environmental product compliance

### EU RoHS

|   |        |
|---|--------|
| Fulfills EU RoHS substance requirements | Yes    |
| Exemption                               | 7(c)-I |

### China RoHS

|  |   |
|--|---|
| Environment friendly use period (EFUP) | EFUP-50   |
|  | An article-related China RoHS declaration table can be found in the download area for the respective article under "Manufacturer declaration". For all articles with EFUP-E, no China RoHS declaration table issued and required. |

### EU REACH SVHC

|                                     |  |
|-------------------------------------|--|
| REACH candidate substance (CAS No.) | Diboron trioxide(CAS: 1303-86-2)           |
|                                     | Lead monoxide (lead oxide)(CAS: 1317-36-8) |
| SCIP                                | bd12004d-50af-4118-98f1-7e05c078ca5f       |

### EF3.1 Climate Change

|         |               |
|---------|---------------|
| CO2e kg | 1.547 kg CO2e |
|---------|---------------|

Phoenix Contact 2026 © - all rights reserved  
<https://www.phoenixcontact.com>

Phoenix Contact USA  
586 Fulling Mill Road  
Middletown, PA 17057, United States  
(+717) 944-1300  
[info@phoenixcon.com](mailto:info@phoenixcon.com)