

H4X:D1MM:D1FM:C5FF:2UCFM - Housing



1415786

<https://www.phoenixcontact.com/us/products/1415786>

Please be informed that the data shown in this PDF document is generated from our online catalog. Please find the complete data in the user documentation. Our general terms of use for downloads are valid.



HEAVYPORT B24 panel mounting base, with single locking latch, with plastic protective cover, with stainless steel front plate connections, 1x RJ45 CAT5e (female/female), 1x D-SUB 9 (male/male), 1x D-SUB 9 (female/male), 2x USB Type A/A (female/cable)

Your advantages

- Good shielding in the event of electromagnetic interference

Commercial data

Item number	1415786
Packing unit	1 pc
Minimum order quantity	1 pc
Sales key	BF69
Product key	AF7EGX
GTIN	4055626805856
Weight per piece (including packing)	22.22 g
Weight per piece (excluding packing)	22.22 g
Country of origin	US

1415786

<https://www.phoenixcontact.com/us/products/1415786>

Technical data

Product properties

Product type	Stackable housing set
Housing type	Panel mounting base
Application	Standard
Type	B24
Protective cover	yes

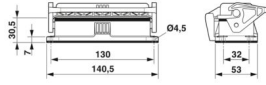
Electrical properties

Rated current	max. 1.5 A DC (RJ45)
---------------	----------------------

Connection data

Tightening torque	1.5 ... 2 Nm
-------------------	--------------

Dimensions

Dimensional drawing	
Width	53 mm
Height	30.5 mm
Length	140.5 mm

Installation dimensions

Width of the assembly cutout	35 mm
Length of the assembly cutout	113 mm

Material specifications

Material	Stainless steel (Front plate)
Seal material	NBR, conductive
	NBR, conductive
Housing material	Die-cast aluminum, salt water resistant
Housing surface material	uncoated
Material, protective cover	PA
Locking latch material	Polyamide

Connector

Contact insert design	with 1x RJ45 Cat 5E Ethernet Socket/socket, snap-in slot locking
	with 1x D-SUB 9 pin/pin #4-40 UNC bolts
	with 1x D-SUB 9 socket/pin #4-40 UNC bolts
	with 2x USB Type A/A 2.0 10 ft. cable with male USB Type A 2.0 end

Environmental and real-life conditions

H4X:D1MM:D1FM:C5FF:2UCFM - Housing



1415786

<https://www.phoenixcontact.com/us/products/1415786>

Ambient conditions

Degree of protection	IP66
	IP67
Impact strength	IK08
Ambient temperature (operation)	-40 °C ... 125 °C (Housing)

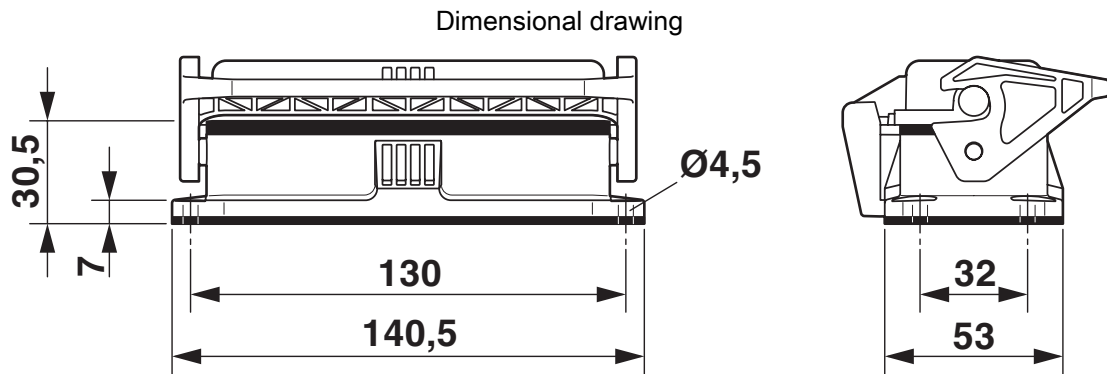
H4X:D1MM:D1FM:C5FF:2UCFM - Housing



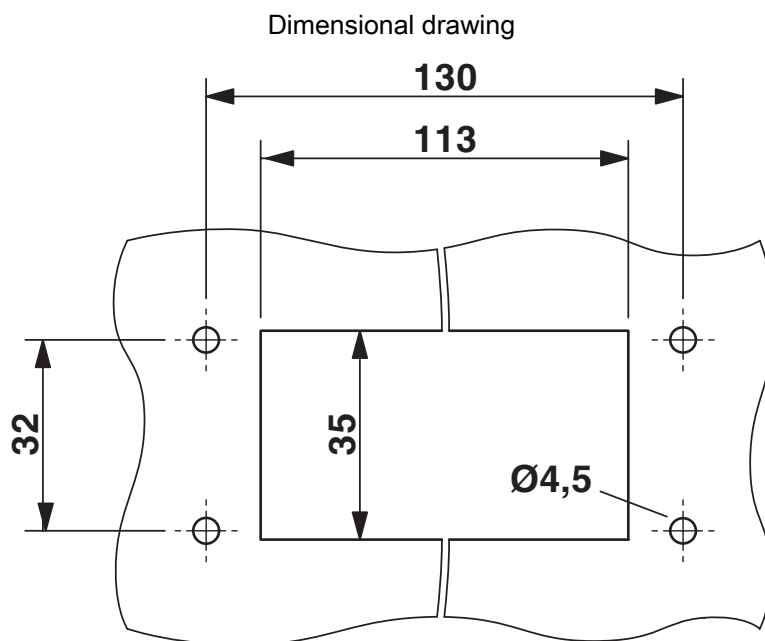
1415786

<https://www.phoenixcontact.com/us/products/1415786>

Drawings



Dimensional drawing



Mounting cutout

1415786

<https://www.phoenixcontact.com/us/products/1415786>

Classifications

ECLASS

ECLASS-15.0	27440113
ECLASS-13.0	27440113

ETIM

ETIM 9.0	EC002636
----------	----------

1415786

<https://www.phoenixcontact.com/us/products/1415786>

Environmental product compliance

EU RoHS

Fulfills EU RoHS substance requirements	Yes
Exemption	6(c)

China RoHS

Environment friendly use period (EFUP)	EFUP-50
	An article-related China RoHS declaration table can be found in the download area for the respective article under "Manufacturer declaration". For all articles with EFUP-E, no China RoHS declaration table issued and required.

EU REACH SVHC

REACH candidate substance (CAS No.)	Lead(CAS: 7439-92-1)
-------------------------------------	----------------------

Phoenix Contact 2026 © - all rights reserved
<https://www.phoenixcontact.com>

Phoenix Contact USA
586 Fulling Mill Road
Middletown, PA 17057, United States
(+717) 944-1300
info@phoenixcon.com