

# H1X:AC - Housing

1415783

<https://www.phoenixcontact.com/us/products/1415783>



Please be informed that the data shown in this PDF document is generated from our online catalog. Please find the complete data in the user documentation. Our general terms of use for downloads are valid.



HEAVYPORT B6 panel mounting base, with single locking latch, with plastic protective cover, with stainless steel front plate connections, 1x 120 V AC outlet

## Your advantages

- Good shielding in the event of electromagnetic interference

## Commercial data

Item number	1415783
Packing unit	1 pc
Minimum order quantity	1 pc
Sales key	BF69
Product key	AF7EGX
GTIN	4055626805849
Weight per piece (including packing)	22.22 g
Weight per piece (excluding packing)	22.22 g
Country of origin	US

## Technical data

### Product properties

Product type	Stackable housing set
Housing type	Panel mounting base
Application	Standard
Type	B6
Protective cover	yes

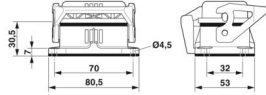
### Electrical properties

Rated voltage (III/3)	max. 125 V AC (AC outlet, UL, CSA rating)
Rated current	15 A (AC outlet, UL, CSA rating)

### Connection data

Tightening torque	1.5 ... 2 Nm
-------------------	--------------

### Dimensions

Dimensional drawing	
Width	53 mm
Height	30.5 mm
Length	80.5 mm
Drill hole distance, horizontal	70 mm
Drill hole distance, vertical	32 mm
Hole diameter	4.5 mm

### Installation dimensions

Width of the assembly cutout	35 mm
Length of the assembly cutout	52 mm

### Material specifications

Material	Stainless steel (Data front plate)
Seal material	NBR, conductive NBR, conductive
Housing material	Die-cast aluminum, salt water resistant
Housing surface material	uncoated
Material, protective cover	PA
Locking latch material	Polyamide

### Connector

Contact insert design	with 1x 120 V AC outlet Terminal 6.35 mm. AC outlet requires slip-on sleeves: Item No. 3240539 or 3240536
-----------------------	---

# H1X:AC - Housing



1415783

<https://www.phoenixcontact.com/us/products/1415783>

## Environmental and real-life conditions

### Ambient conditions

Degree of protection	IP66
	IP67
Impact strength	IK08
Ambient temperature (operation)	-40 °C ... 125 °C (Housing)

## Standards and regulations

Standards/specifications	AC Outlet UL, cUL, CSA
--------------------------	------------------------

# H1X:AC - Housing

1415783

<https://www.phoenixcontact.com/us/products/1415783>



## Drawings

Dimensional drawing



Dimensional drawing

Dimensional drawing



Mounting cutout

# H1X:AC - Housing

1415783

<https://www.phoenixcontact.com/us/products/1415783>



## Classifications

### ECLASS

ECLASS-15.0	27440113
ECLASS-13.0	27440113

### ETIM

ETIM 10.0	EC002636
-----------	----------

## Environmental product compliance

### China RoHS

Environment friendly use period (EFUP)	EFUP-50
	An article-related China RoHS declaration table can be found in the download area for the respective article under "Manufacturer declaration". For all articles with EFUP-E, no China RoHS declaration table issued and required.

### EU REACH SVHC

REACH candidate substance (CAS No.)	No substance above 0.1 wt%
-------------------------------------	----------------------------

Phoenix Contact 2026 © - all rights reserved  
<https://www.phoenixcontact.com>

Phoenix Contact USA  
586 Fulling Mill Road  
Middletown, PA 17057, United States  
(+717) 944-1300  
[info@phoenixcon.com](mailto:info@phoenixcon.com)