

NBC-D5DM/1,5-920/D5DF E01 - Cable



1415756

<https://www.phoenixcontact.com/us/products/1415756>

Please be informed that the data shown in this PDF document is generated from our online catalog. Please find the complete data in the user documentation. Our general terms of use for downloads are valid.



Cable, degree of protection: IP20, number of positions: 9, cable outlet: straight, color: Bare metallic, CAN Bus/DeviceNet

Your advantages

- Perfect for industrial applications
- Perfect for office, building, and protected industrial applications (e.g., in control cabinets)
- Compact angle

Commercial data

Item number	1415756
Packing unit	1 pc
Minimum order quantity	1 pc
Product key	ABNCAS
GTIN	4055626052090
Weight per piece (including packing)	137.3 g
Weight per piece (excluding packing)	134 g
Country of origin	HU

1415756

<https://www.phoenixcontact.com/us/products/1415756>

Technical data

Product properties

Product type	Data cable preassembled
Sensor type	CAN Bus/DeviceNet™
Number of positions	9
Connection profile	D-SUB 9
Shielded	yes
Cable outlet	straight

Insulation characteristics

Overvoltage category	III
Degree of pollution	2

Electrical properties

Transmission medium	Copper
Max. conductor resistance	78.4 Ω/km

Mechanical properties

Mechanical data

Insertion/withdrawal cycles	≥ 200
Max. bending cycles	5000000

Material specifications

Color	Bare metallic
Flammability rating according to UL 94	V0
Outer sheath, material	PUR
Conductor material	Tin-plated Cu litz wires

Connector

Connection 1

Type	Plug straight
Degree of protection	IP20

Connection 2

Type	Socket straight
Degree of protection	IP20

Cable/line


CANopen®/DeviceNet™, PUR, violet [920]

NBC-D5DM/1,5-920/D5DF E01 - Cable



1415756

<https://www.phoenixcontact.com/us/products/1415756>

Dimensional drawing	
Shielded	yes
UL AWM Style	21198 (80°C/300 V)
Cable weight	90 kg/km
Cable type	CANopen®/DeviceNet™, PUR, violet
Cable type (abbreviation)	920
Signal type/category	CANopen® DeviceNet™
Cable structure	2xAWG24/19+2xAWG22/19
External cable diameter	6.70 mm ±0.3 mm
Outer sheath, material	PUR
External sheath, color	red lilac RAL 4001
Conductor material	Tin-plated Cu litz wires
Conductor structure signal line	19x 0.13 mm
AWG signal line	24
Conductor structure, voltage supply	19x 0.15 mm
Conductor cross-section	2x 0.25 mm ² (Data cable)
AWG power supply	22
Material wire insulation	Foamed PE (Data cable) PE (Power supply)
Wire diameter incl. insulation	1.95 mm ±0.05 mm (Data cable) 1.4 mm ±0.05 mm (Power supply)
Single wire, color	red-black, blue-white
Twisted pairs	2 cores to the pair
Type of pair shielding	Plastic-coated aluminum foil, aluminum side outside
Overall twist	2 pairs around a drain wire in the center to the core
Shielding	Tinned copper braided shield
Optical shield covering	80 %
Nominal voltage, cable	≤ 300 V (Peak value, not for high-power applications)
Test voltage Core/Core	2000 V (50 Hz, 1 min.)
Test voltage Core/Shield	2000.00 V (50 Hz, 1 min.)
Cable insulation resistance	≥ 5 GΩ*km (Data cable) ≥ 5 GΩ*km (Power supply)
Wave impedance	120 Ω ±10 % (with 1 MHz)
Loop resistance	≤ 181.80 Ω/km (Data cable) ≤ 114.80 Ω/km (Power supply)
Cable capacity	nom. 40 nF/km (Data cable)

NBC-D5DM/1,5-920/D5DF E01 - Cable



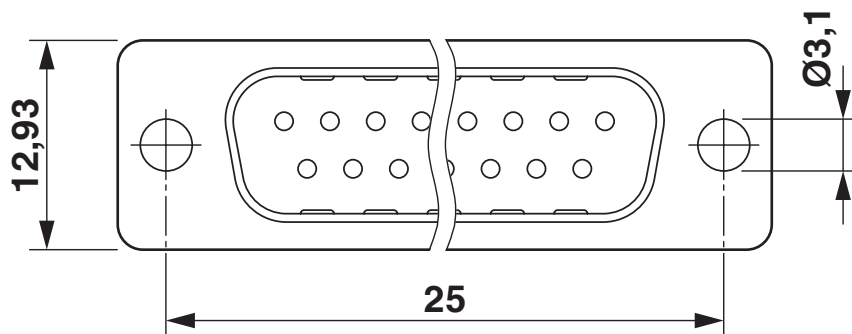
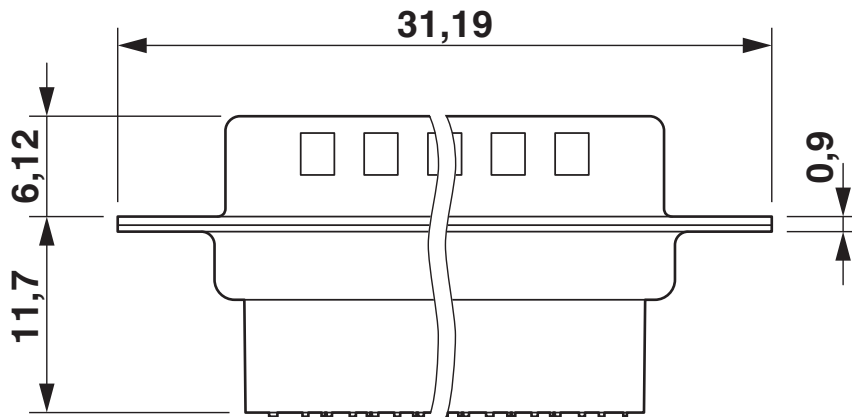
1415756

<https://www.phoenixcontact.com/us/products/1415756>

Minimum bending radius, fixed installation	5 x D
Minimum bending radius, flexible installation	10 x D
Number of bending cycles	5000000
Minimum bending radius, drag chain applications	10 x D
Bending radius	70 mm
Traversing path	4.5 m
Traversing rate	3 m/s
Acceleration	3 m/s ²
Ambient temperature (operation)	-20 °C ... 60 °C (cable, drag chain applications)
Halogen-free	in accordance with DIN VDE 0472 part 815 according to IEC 60754-1
Flame resistance	UL 1581, Section 1060 and UL 2556, Section 9.3 (FT1) UL 1581, Section 1100 and UL 2556, Section 9.1 (HFT/FT2) IEC 60332-1-2 in accordance with ISO 6722-1 5.22 (UN ECE-R 118.01)
Other resistance	Low adhesion
Ambient temperature (operation)	-30 °C ... 70 °C (Cable, flexible installation) -30 °C ... 70 °C (Cable, flexible installation) -40 °C ... 80 °C (cable, fixed installation)

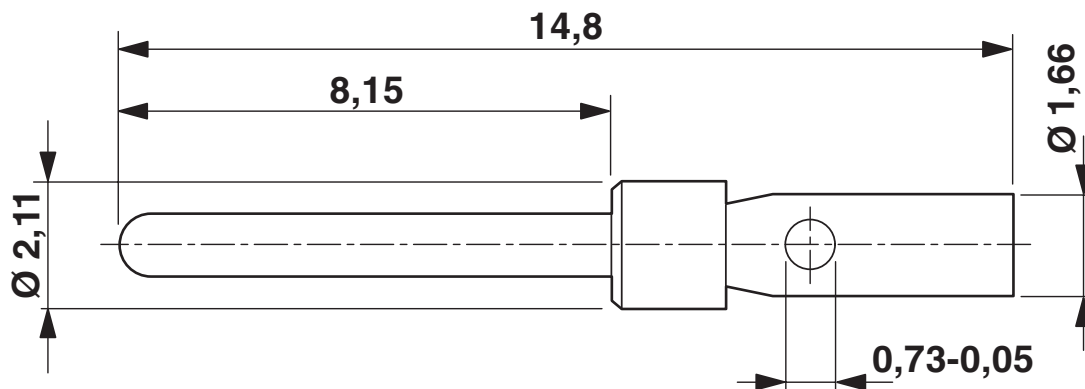
Drawings

Dimensional drawing



D-SUB contact carrier

Dimensional drawing



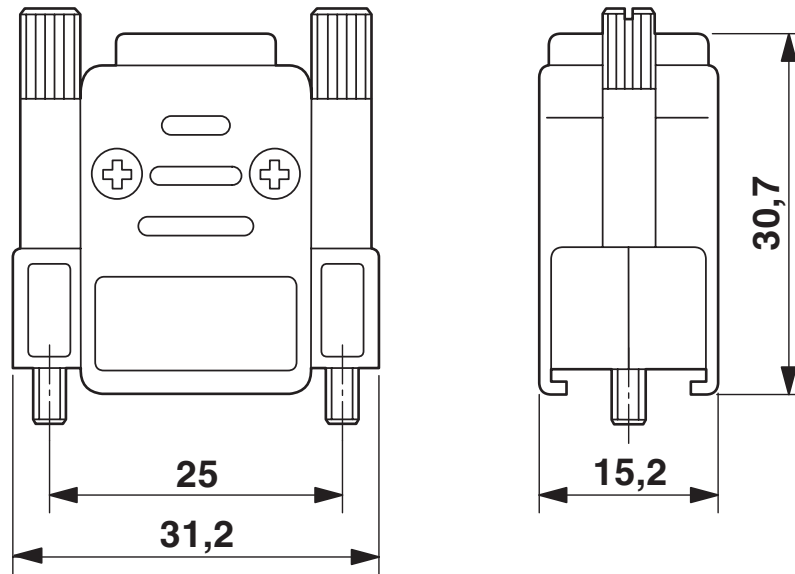
D-SUB crimp contact pin

NBC-D5DM/1,5-920/D5DF E01 - Cable

1415756

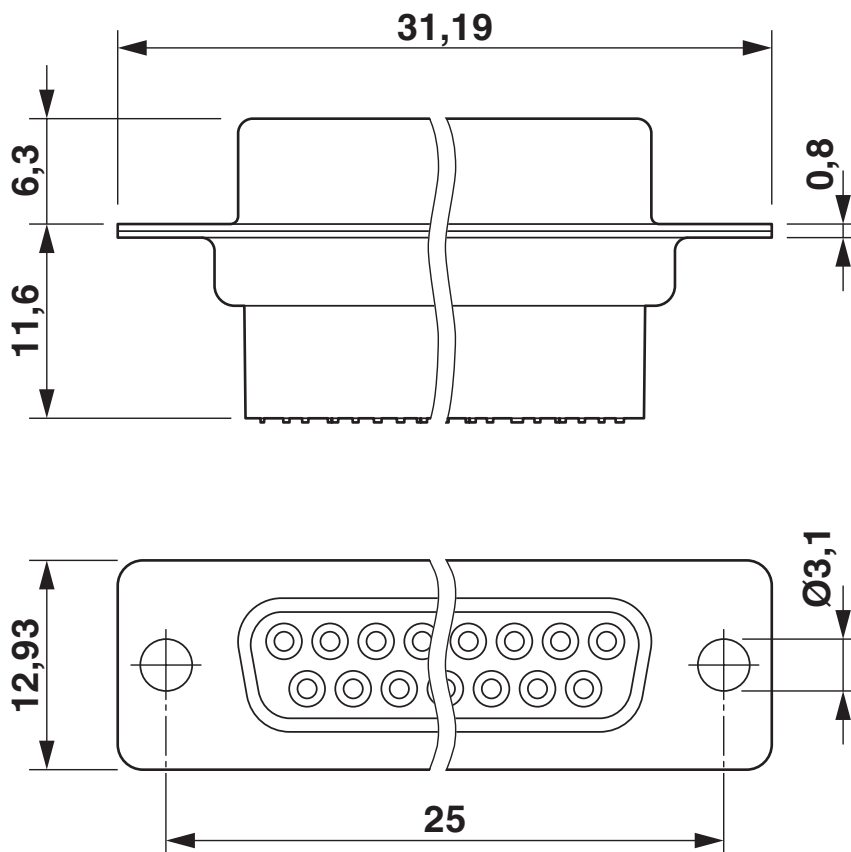
<https://www.phoenixcontact.com/us/products/1415756>

Dimensional drawing



Mounting cutout

Dimensional drawing



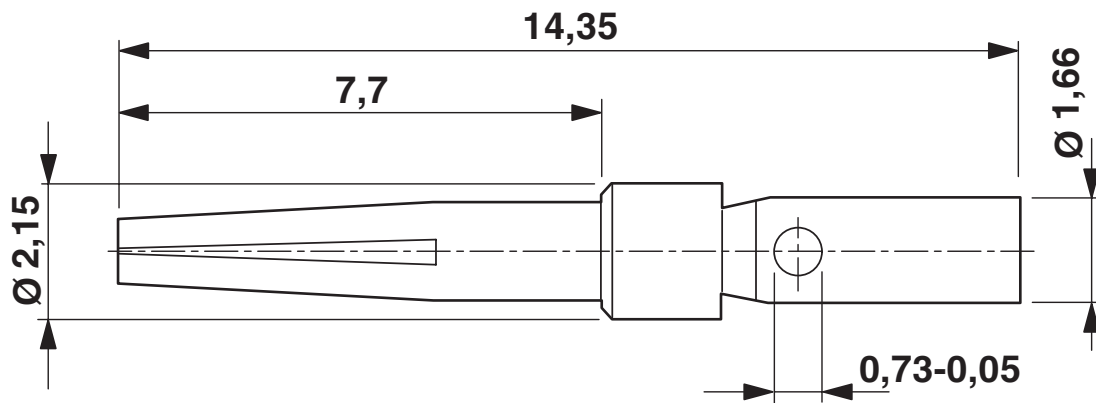
D-SUB contact carrier

NBC-D5DM/1,5-920/D5DF E01 - Cable

1415756

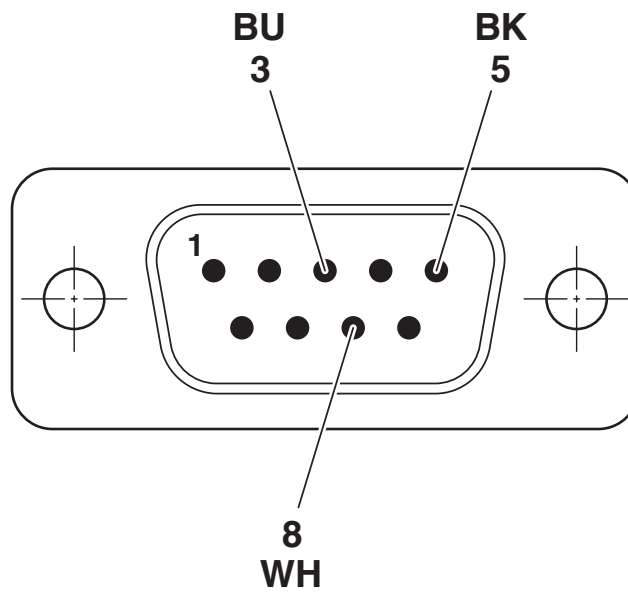
<https://www.phoenixcontact.com/us/products/1415756>

Dimensional drawing



D-SUB crimp contact socket

Schematic diagram



NBC-D5DM/1,5-920/D5DF E01 - Cable



1415756

<https://www.phoenixcontact.com/us/products/1415756>

Approvals

To download certificates, visit the product detail page: <https://www.phoenixcontact.com/us/products/1415756>



EAC

Approval ID: 19060508

1415756

<https://www.phoenixcontact.com/us/products/1415756>

Classifications

ECLASS

ECLASS-13.0	27060307
ECLASS-15.0	27060307

ETIM

ETIM 10.0	EC001855
-----------	----------

UNSPSC

UNSPSC 21.0	26121600
-------------	----------

1415756

<https://www.phoenixcontact.com/us/products/1415756>

Environmental product compliance

EU RoHS

Fulfills EU RoHS substance requirements	Yes, No exemptions
---	--------------------

China RoHS

Environment friendly use period (EFUP)	EFUP-E
	No hazardous substances above the limits

EU REACH SVHC

REACH candidate substance (CAS No.)	No substance above 0.1 wt%
-------------------------------------	----------------------------

Phoenix Contact 2026 © - all rights reserved
<https://www.phoenixcontact.com>

Phoenix Contact USA
586 Fulling Mill Road
Middletown, PA 17057, United States
(+717) 944-1300
info@phoenixcon.com