

SAC-3P-M12MS/0,3-PVC/M 8FR - Sensor/actuator cable



1415530

<https://www.phoenixcontact.com/us/products/1415530>

Please be informed that the data shown in this PDF document is generated from our online catalog. Please find the complete data in the user documentation. Our general terms of use for downloads are valid.



Sensor/actuator cable, 3-position, PVC, black RAL 9005, Plug straight M12, coding: A, on Socket angled M8, coding: A, cable length: 0.3 m

Your advantages

- Easy and safe: 100 % electrically tested plug-in components

Commercial data

| | |
|--------------------------------------|--------------------------------|
| Item number | 1415530 |
| Packing unit | 1 pc |
| Minimum order quantity | 1 pc |
| Note | Made to order (non-returnable) |
| Sales key | BF03 |
| Product key | AF1CBA |
| GTIN | 4055626049144 |
| Weight per piece (including packing) | 20.1 g |
| Weight per piece (excluding packing) | 20 g |
| Customs tariff number | 85444290 |
| Country of origin | PL |

SAC-3P-M12MS/0,3-PVC/M 8FR - Sensor/actuator cable



1415530

<https://www.phoenixcontact.com/us/products/1415530>

Technical data

Product properties

| | |
|----------------------|-----------------------|
| Product type | Sensor/actuator cable |
| Application | Standard |
| Number of positions | 3 |
| No. of cable outlets | 1 |
| Shielded | no |
| Coding | A |

Insulation characteristics

| | |
|----------------------|----|
| Overvoltage category | II |
| Degree of pollution | 3 |

Material specifications

| | |
|--|---|
| Flammability rating according to UL 94 | HB |
| Seal material | NBR |
| Material of grip body | TPU, hardly inflammable, self-extinguishing |
| Contact material | CuSn |
| Contact surface material | Ni/Au |
| Contact carrier material | TPU GF |
| Material for screw connection | Zinc die-cast, nickel-plated |

Electrical properties

| | |
|-----------------------|----------------------------|
| Insulation resistance | $\geq 100 \text{ M}\Omega$ |
| Nominal voltage U_N | 48 V AC |
| | 60 V DC |
| Nominal current I_N | 4 A |

Mechanical properties

Mechanical data

| | |
|-----------------------------|------------|
| Insertion/withdrawal cycles | ≥ 100 |
|-----------------------------|------------|

Signaling

| | |
|------------------------|----|
| Status display | no |
| Status display present | no |

Connector

Connection 1

| | |
|---------------------|-------------------|
| Type | Plug straight M12 |
| Number of positions | 3 |
| Coding type | A |

Connection 2

SAC-3P-M12MS/0,3-PVC/M 8FR - Sensor/actuator cable

1415530

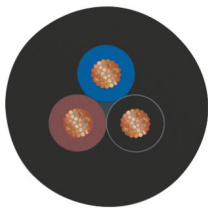
<https://www.phoenixcontact.com/us/products/1415530>

| | |
|---------------------|------------------|
| Type | Socket angled M8 |
| Number of positions | 3 |
| Coding type | A |

Cable/line

| | |
|--------------|-------|
| Cable length | 0.3 m |
|--------------|-------|

PVC black [PVC]

| | |
|---|--|
| Dimensional drawing |  |
| Cable weight | 40 kg/km |
| UL AWM Style | 2464 / 1729 (80°C/300 V) |
| Number of positions | 3 |
| Shielded | no |
| Cable type | PVC black [PVC] |
| Conductor structure signal line | 19x 0.15 mm |
| AWG signal line | 22 |
| Conductor cross-section | 3x 0.34 mm ² (Signal line) |
| Wire diameter incl. insulation | 1.26 mm ±0.05 mm |
| External cable diameter | 4.30 mm ±0.2 mm |
| Outer sheath, material | PVC |
| External sheath, color | black RAL 9005 |
| Conductor material | Bare Cu litz wires |
| Material wire insulation | PVC |
| Single wire, color | brown, blue, black |
| Thickness, insulation | ≥ 0.23 mm (Core insulation) |
| Thickness, outer sheath | ≥ 0.76 mm |
| Overall twist | 3 wires, twisted |
| Max. conductor resistance | max. 57 Ω/km (at 20 °C) |
| Insulation resistance | ≥ 100 MΩ*km (at 20 °C) |
| Nominal voltage, cable | ≤ 300 V |
| Test voltage | ≥ 2500 V |
| Minimum bending radius, fixed installation | 5 x D |
| Minimum bending radius, flexible installation | 10 x D |
| Smallest bending radius, fixed installation | 22 mm |
| Smallest bending radius, movable installation | 43 mm |
| Flame resistance | As per UL-Style 2464 |
| Ambient temperature (operation) | -25 °C ... 80 °C (cable, fixed installation) |

SAC-3P-M12MS/0,3-PVC/M 8FR - Sensor/actuator cable



1415530

<https://www.phoenixcontact.com/us/products/1415530>

| | |
|--|---|
| | -10 °C ... 80 °C (Cable, flexible installation) |
|--|---|

Environmental and real-life conditions

Ambient conditions

| | |
|---|----------------------------------|
| Degree of protection | IP65 |
| | IP67 |
| | IP68 |
| Ambient temperature (operation) (male connector/female connector) | -25 °C ... 90 °C (Plug / socket) |

Standards and regulations

| | |
|--------------------------|-----------------|
| Standard designation | M12 connector |
| Standards/specifications | IEC 61076-2-101 |
| Standard designation | M8 connector |
| Standards/specifications | IEC 61076-2-104 |

SAC-3P-M12MS/0,3-PVC/M 8FR - Sensor/actuator cable

1415530

<https://www.phoenixcontact.com/us/products/1415530>

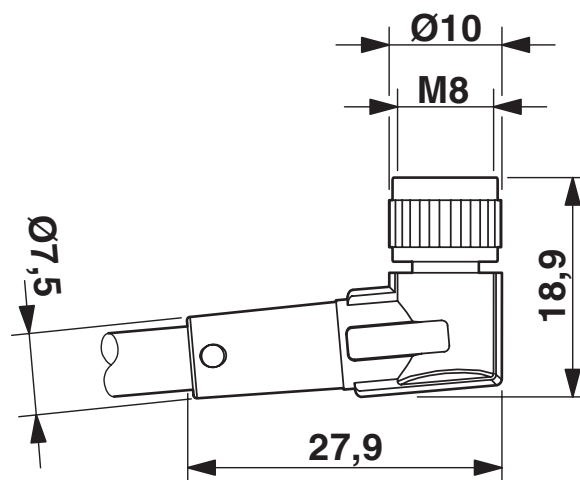
Drawings

Dimensional drawing



Plug, M12 x 1, straight, shielded

Dimensional drawing



Socket M8 x 1, angled

SAC-3P-M12MS/0,3-PVC/M 8FR - Sensor/actuator cable

1415530

<https://www.phoenixcontact.com/us/products/1415530>

Schematic diagram



Pin assignment M12 plug, 3-pos., A-coded, view male side

Schematic diagram



Pin assignment M8 socket, 3-pos., view female side

SAC-3P-M12MS/0,3-PVC/M 8FR - Sensor/actuator cable

1415530

<https://www.phoenixcontact.com/us/products/1415530>

Schematic diagram



Layout of connector pin assignments

Circuit diagram



Contact assignment of M12 plugs / M8 sockets

SAC-3P-M12MS/0,3-PVC/M 8FR - Sensor/actuator cable



1415530

<https://www.phoenixcontact.com/us/products/1415530>

Approvals

To download certificates, visit the product detail page: <https://www.phoenixcontact.com/us/products/1415530>

|  UL Listed Approval ID: FILE E 221474 | | | | |
|--|-----------------------|-----------------------|-------------------|-----------------------------|
| | Nominal voltage U_N | Nominal current I_N | Cross section AWG | Cross section mm^2 |
| keine | | | | |
| | 60 V | 4 A | - | - |

|  cUL Listed Approval ID: FILE E 221474 | | | | |
|---|-----------------------|-----------------------|-------------------|-----------------------------|
| | Nominal voltage U_N | Nominal current I_N | Cross section AWG | Cross section mm^2 |
| keine | | | | |
| | 60 V | 4 A | - | - |

|  EAC-RoHS Approval ID: RU D-DE.HB35.B.00387 | |
|--|--|
|--|--|

SAC-3P-M12MS/0,3-PVC/M 8FR - Sensor/actuator cable



1415530

<https://www.phoenixcontact.com/us/products/1415530>

Classifications

ECLASS

| | |
|-------------|----------|
| ECLASS-13.0 | 27060311 |
| ECLASS-15.0 | 27060311 |

ETIM

| | |
|-----------|----------|
| ETIM 10.0 | EC001855 |
|-----------|----------|

UNSPSC

| | |
|-------------|----------|
| UNSPSC 21.0 | 26121600 |
|-------------|----------|

SAC-3P-M12MS/0,3-PVC/M 8FR - Sensor/actuator cable



1415530

<https://www.phoenixcontact.com/us/products/1415530>

Environmental product compliance

EU RoHS

| | |
|---|--------------------|
| Fulfills EU RoHS substance requirements | Yes, No exemptions |
|---|--------------------|

China RoHS

| | |
|--|--|
| Environment friendly use period (EFUP) | EFUP-E |
| | No hazardous substances above the limits |

EU REACH SVHC

| | |
|-------------------------------------|----------------------------|
| REACH candidate substance (CAS No.) | No substance above 0.1 wt% |
|-------------------------------------|----------------------------|

EF3.1 Climate Change

| | |
|---------|---------------|
| CO2e kg | 0.193 kg CO2e |
|---------|---------------|

Phoenix Contact 2026 © - all rights reserved
<https://www.phoenixcontact.com>

Phoenix Contact USA
586 Fulling Mill Road
Middletown, PA 17057, United States
(+717) 944-1300
info@phoenixcon.com