

SACB-8/16-C GG SCO P - Distributor box header



1415284

<https://www.phoenixcontact.com/us/products/1415284>

Please be informed that the data shown in this PDF document is generated from our online catalog. Please find the complete data in the user documentation. Our general terms of use for downloads are valid.



Figure shows version with diagnostic and status indicator

Distributor box header, application: Standard, connection method: M12 socket, number of slots: 8, number of positions: 5, coding: A, slot assignment: single, status display: no, Universal; master cable connection: Pluggable screw connection, shielding: no

Commercial data

Item number	1415284
Packing unit	1 pc
Minimum order quantity	10 pc
Product key	AF3CBC
GTIN	4055626042831
Weight per piece (including packing)	186.3 g
Weight per piece (excluding packing)	186.3 g
Country of origin	PL

1415284

<https://www.phoenixcontact.com/us/products/1415284>

Technical data

Product properties

Product type	Distributor box
Application	Standard
Number of positions	5
Number of slots	8
Coding	A
LED	no

Electrical properties

Nominal voltage U_N	120 V
Rated current, total	10 A
Max. current carrying capacity per path	2 A
Current carrying capacity per slot	4 A

Connection data

Conductor connection

Sensor/actuator connection system	M12 socket
Tightening torque slot sensor/actuator cable	0.4 Nm
Tightening torque of mounting screw for fixing the housing	0.5 Nm

Connection assignment

Slot/position = Wire color or connection	1 / 4 (A) = WH
	1 / 2 (B) = GYPK
	2 / 4 (A) = GN
	2 / 2 (B) = RDBU
	3 / 4 (A) = YE
	3 / 2 (B) = WHGN
	4 / 4 (A) = GY
	4 / 2 (B) = BNGN
	5 / 4 (A) = PK
	5 / 2 (B) = WHYE
	6 / 4 (A) = RD
	6 / 2 (B) = YEBN
	7 / 4 (A) = BK
	7 / 2 (B) = WHGY
	8 / 4 (A) = VT
	8 / 2 (B) = GYBN
1-8 / 1 (+ 24 V) = BN	
1-8 / 3 (0 V) = BU	
1-8 / 5 (PE) = GNYE	

SACB-8/16-C GG SCO P - Distributor box header



1415284

<https://www.phoenixcontact.com/us/products/1415284>

Signaling

Status display present	no
------------------------	----

Dimensions

Dimensional drawing	
Width	54 mm
Height	19 mm
Length	149 mm

Material specifications

Material Threaded sleeve	PBT
Material Housing	PBT
Material Molding compound	PUR
Flammability rating according to UL 94	V0
Seal material O-ring	NBR
Contact material	Cu alloy
Contact surface material	gold-plated
Contact carrier material	PA
Material of contact, master cable side	CU alloy
Material of the contact carrier on the master cable side	PA
Material of contact surface, master cable side	Sn

Cable/line

Connection method	Pluggable screw connection
-------------------	----------------------------

Environmental and real-life conditions

Ambient conditions

Degree of protection	IP65
	IP67
Ambient temperature (operation)	-25 °C ... 80 °C

Standards and regulations

Standard designation	M12 connector
Standards/specifications	IEC 61076-2-101

SACB-8/16-C GG SCO P - Distributor box header

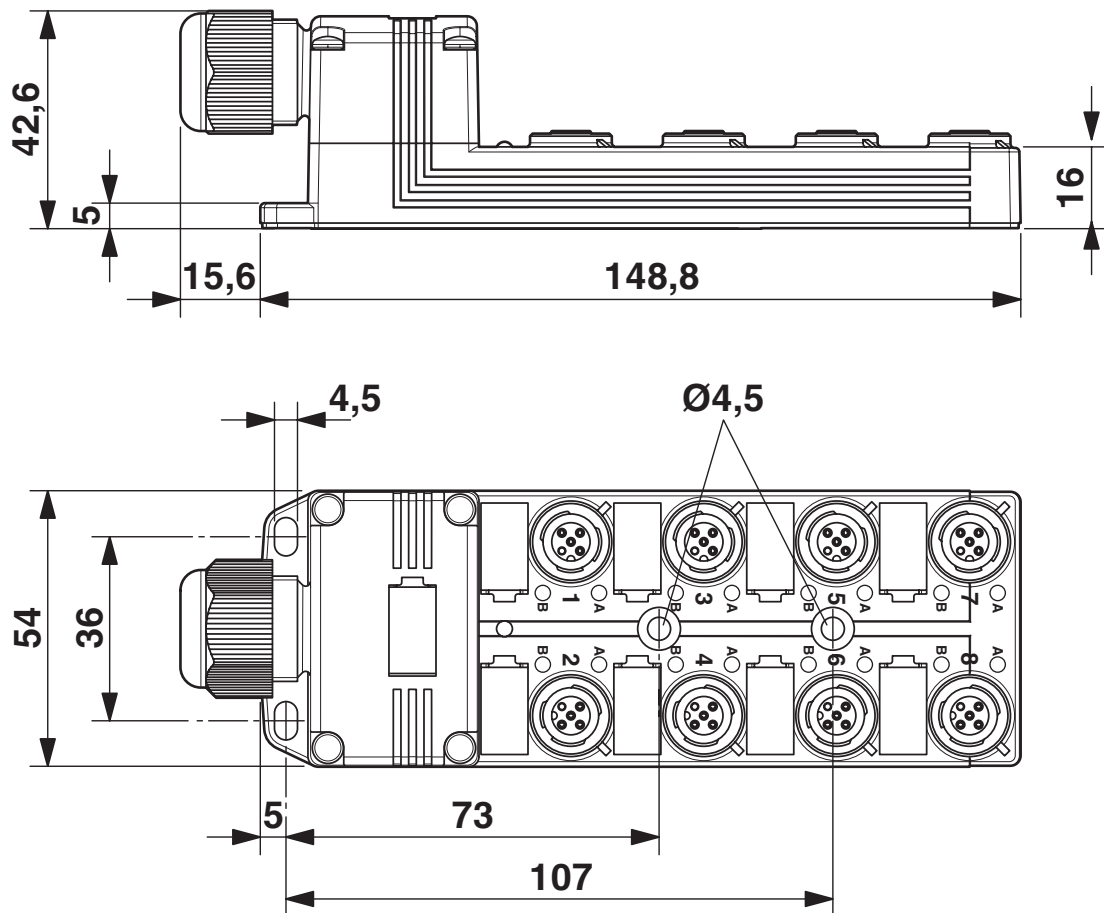


1415284

<https://www.phoenixcontact.com/us/products/1415284>

Drawings

Dimensional drawing



SACB-8/16-C GG SCO P - Distributor box header

1415284

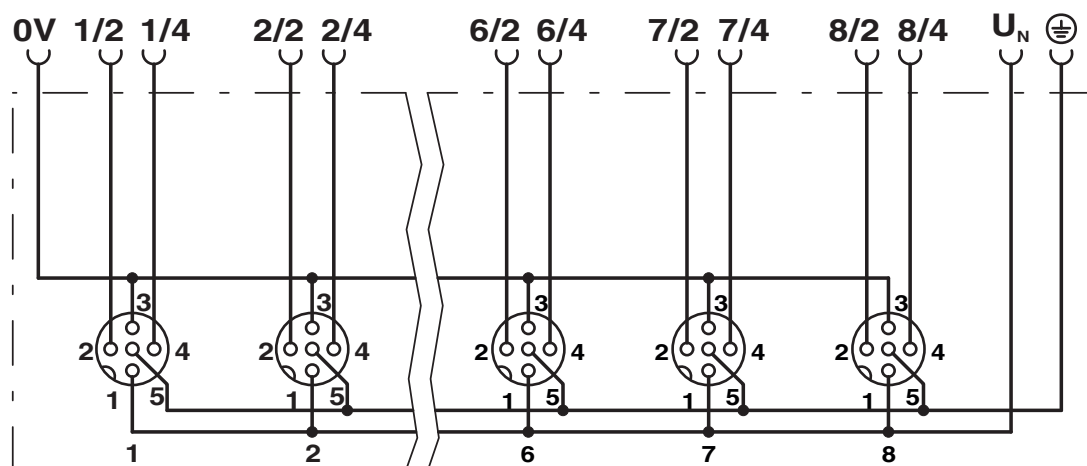
<https://www.phoenixcontact.com/us/products/1415284>

Schematic diagram



M12 slot, socket, 5-pos.

Circuit diagram



SACB-8/16-C GG SCO P - Distributor box header



1415284

<https://www.phoenixcontact.com/us/products/1415284>

Classifications

ECLASS

ECLASS-13.0	27440111
ECLASS-15.0	27440111

SACB-8/16-C GG SCO P - Distributor box header



1415284

<https://www.phoenixcontact.com/us/products/1415284>

Environmental product compliance

EU RoHS

Fulfills EU RoHS substance requirements	Yes, No exemptions
---	--------------------

China RoHS

Environment friendly use period (EFUP)	EFUP-E
	No hazardous substances above the limits

EU REACH SVHC

REACH candidate substance (CAS No.)	No substance above 0.1 wt%
-------------------------------------	----------------------------

Phoenix Contact 2026 © - all rights reserved
<https://www.phoenixcontact.com>

Phoenix Contact USA
586 Fulling Mill Road
Middletown, PA 17057, United States
(+717) 944-1300
info@phoenixcon.com