

# MD-INC-1-SZP-S - Base plate



1415245

<https://www.phoenixcontact.com/us/products/1415245>

Please be informed that the data shown in this PDF document is generated from our online catalog. Please find the complete data in the user documentation. Our general terms of use for downloads are valid.

Base plate, with seal, for CES Multigates, with 1 opening, including mounting screws



## Product description

Module plate  
8 mounting screws (M5x12) /  
and  
Washers are supplied as standard

## Commercial data

Item number	1415245
Packing unit	1 pc
Minimum order quantity	1 pc
Sales key	BF67
Product key	AF7CZX
GTIN	4055626039503
Weight per piece (including packing)	783.3 g
Weight per piece (excluding packing)	775.2 g
Customs tariff number	73269098
Country of origin	DE

# MD-INC-1-SZP-S - Base plate



1415245

<https://www.phoenixcontact.com/us/products/1415245>

## Technical data

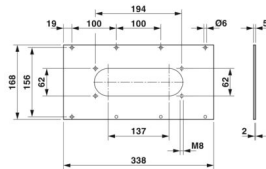
### Product properties

Product type	Adapter plate
Seal present	yes

### Connection data

Tightening torque	1 ... 1.2 Nm
-------------------	--------------

### Dimensions

Dimensional drawing	
Width	168 mm
Height	2 mm
Length	338 mm

### Material specifications

Material	Stainless steel 1.4301/AISI 304
Seal material	NBR

### Environmental and real-life conditions

#### Ambient conditions

Degree of protection	IP54
Ambient temperature (operation)	-40 °C ... 100 °C

### Mounting

Assembly note	Diameter of fixing hole for self-tapping screw: 4.5 mm ... 4.7 mm, mounting screws (M5x12): 1.0 Nm ... 1.2 Nm tightening torque, SW4 Allen key
	Make sure the seal is fitted correctly (must not be squeezed out at the sides)

# MD-INC-1-SZP-S - Base plate

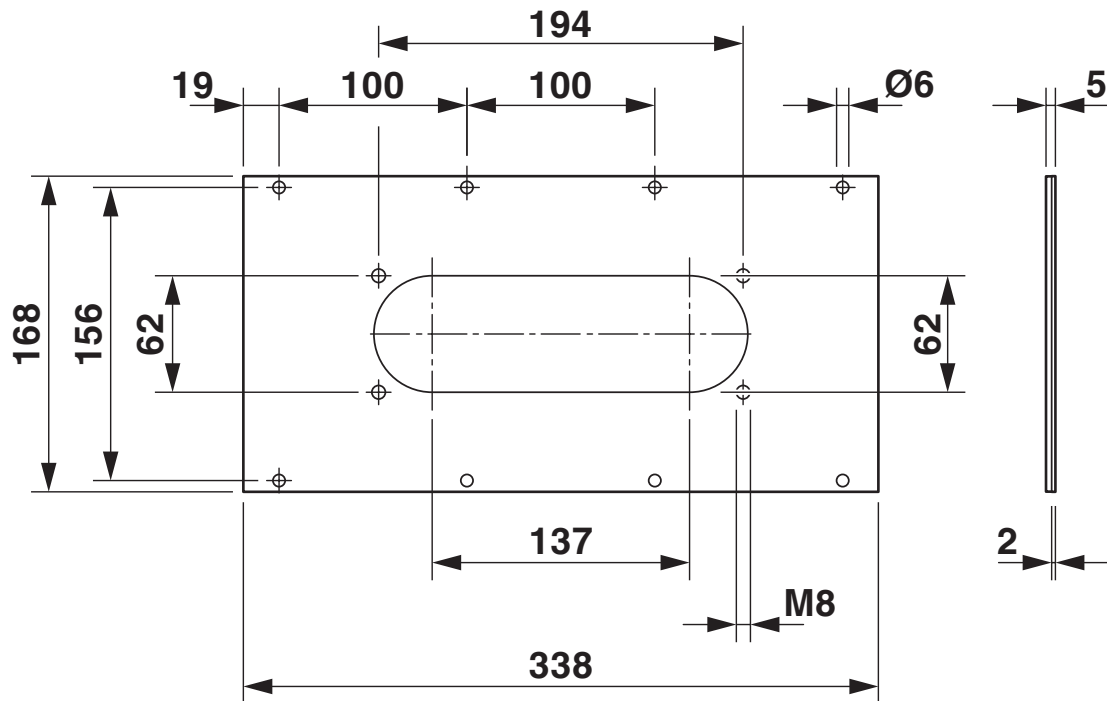


1415245

<https://www.phoenixcontact.com/us/products/1415245>

## Drawings

Dimensional drawing



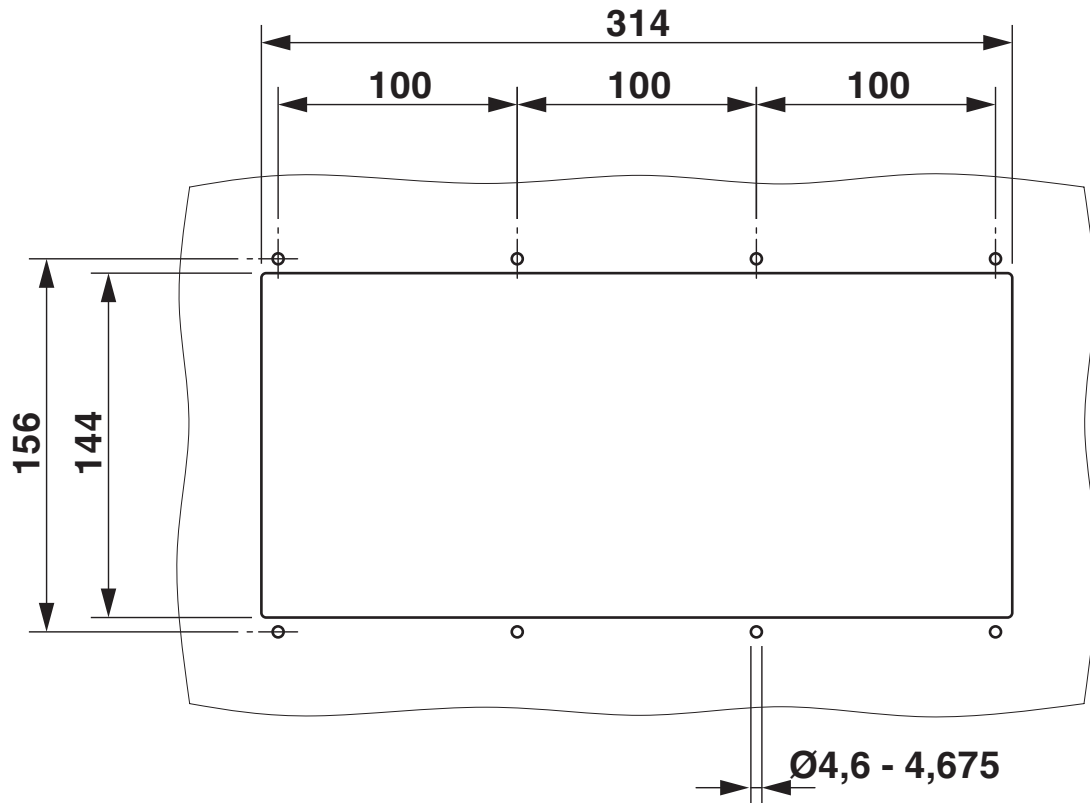
# MD-INC-1-SZP-S - Base plate



1415245

<https://www.phoenixcontact.com/us/products/1415245>

Dimensional drawing



Wall cutout drawing

# MD-INC-1-SZP-S - Base plate



1415245

<https://www.phoenixcontact.com/us/products/1415245>

## Classifications

### ECLASS

ECLASS-13.0	27440201
ECLASS-15.0	27440201

### ETIM

ETIM 10.0	EC002309
-----------	----------

### UNSPSC

UNSPSC 21.0	31261500
-------------	----------

# MD-INC-1-SZP-S - Base plate



1415245

<https://www.phoenixcontact.com/us/products/1415245>

## Environmental product compliance

### China RoHS

Environment friendly use period (EFUP)	EFUP-E
	No hazardous substances above the limits

### EU REACH SVHC

REACH candidate substance (CAS No.)	No substance above 0.1 wt%
-------------------------------------	----------------------------

Phoenix Contact 2026 © - all rights reserved  
<https://www.phoenixcontact.com>

Phoenix Contact USA  
586 Fulling Mill Road  
Middletown, PA 17057, United States  
(+717) 944-1300  
[info@phoenixcon.com](mailto:info@phoenixcon.com)