

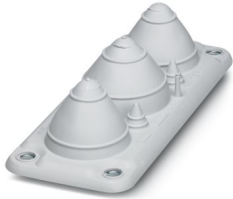
MC-3/7-MULTI-67-PV-LG - Cable feed-through plates



1415234

<https://www.phoenixcontact.com/us/products/1415234>

Please be informed that the data shown in this PDF document is generated from our online catalog. Please find the complete data in the user documentation. Our general terms of use for downloads are valid.



Cable feed-through plates, no. of conductors: 7, external cable diameter: 1x 30 mm ... 60 mm, 4x 10 mm ... 14 mm, 2x 24 mm ... 54 mm, material: galvanized sheet steel (Core), material: TPE-SEBS (external material), color: light gray, length: 222 mm, width: 92 mm, height: 43 mm

Commercial data

Item number	1415234
Packing unit	1 pc
Minimum order quantity	1 pc
Sales key	BF67
Product key	AF7CAX
GTIN	4055626039404
Weight per piece (including packing)	300.1 g
Weight per piece (excluding packing)	300.1 g
Customs tariff number	39269097
Country of origin	FI

MC-3/7-MULTI-67-PV-LG - Cable feed-through plates



1415234

<https://www.phoenixcontact.com/us/products/1415234>

Technical data

Product properties

Product type	Cable feed-through
No. of conductors	7

Connection data

External cable diameter	1x 30 mm ... 60 mm
Tightening torque	1.5 Nm ... 2 Nm (Mounting screws)

Dimensions

Dimensional drawing	
Width	92 mm
Height	43 mm
Length	222 mm
Drill hole distance, horizontal	62 mm
Drill hole distance, vertical	194 mm
Hole diameter	8.5 mm

Material specifications

Color	light gray (RAL 7035)
Material interior	galvanized sheet steel (Core)
Material exterior	TPE-SEBS (external material)
Flammability rating according to UL 94	V0

Cable/line

External cable diameter 30-60 mm	1x 30 mm ... 60 mm
External cable diameter 10-14 mm	4x 10 mm ... 14 mm
External cable diameter 24-54 mm	2x 24 mm ... 54 mm

Environmental and real-life conditions

Ambient conditions

Degree of protection	IP66 (Minimum sheet thickness \geq 2.5 mm) IP67 (Minimum sheet thickness \geq 2.5 mm)
Ambient temperature (operation)	-40 °C ... 100 °C

Mounting

MC-3/7-MULTI-67-PV-LG - Cable feed-through plates



1415234

<https://www.phoenixcontact.com/us/products/1415234>

Assembly note	<p>M8 mounting screw, torque: 1.5 - 2.0 Nm, SW5 Allen key</p> <p>The mounting screws provided are to be used for mounting.</p> <p>Mounting sequence:</p> <ol style="list-style-type: none">1) Fix Multigates with the mounting screws provided (observe torque)2) Cut a hole in the membrane/cut off the tip of the cone3) Guide the cable through the opening (from the outside). Withdraw the cable approximately 20 mm (to improve strain relief)
---------------	--

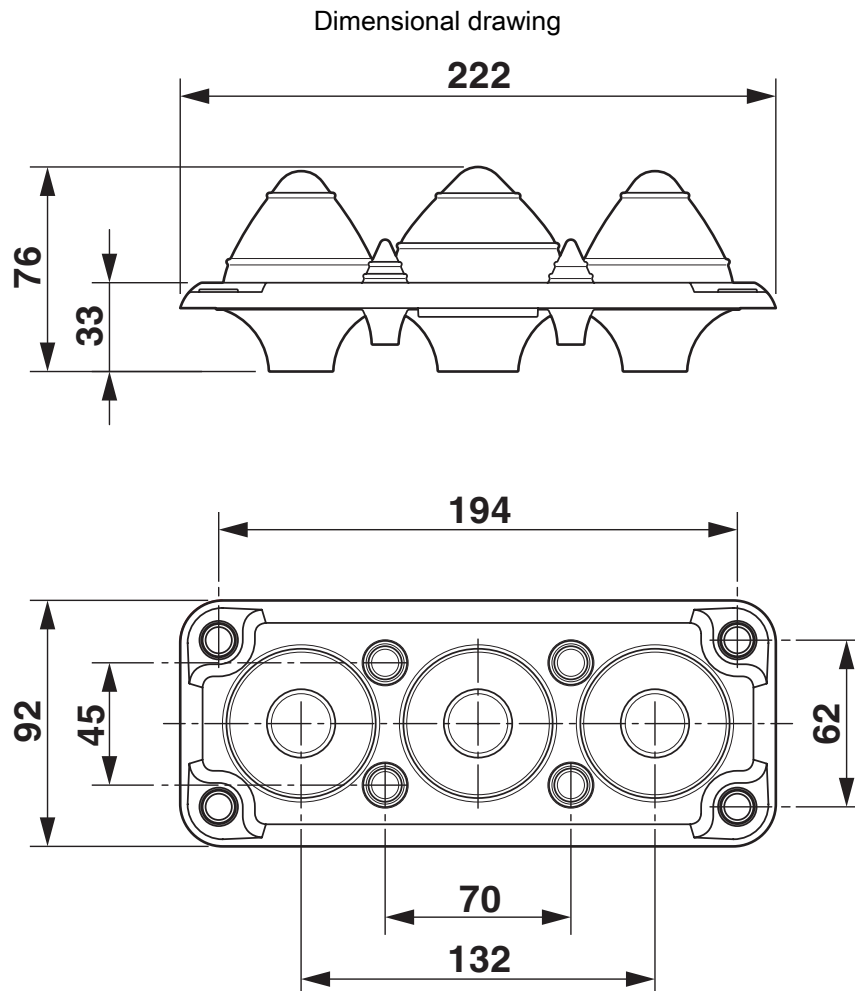
MC-3/7-MULTI-67-PV-LG - Cable feed-through plates



1415234

<https://www.phoenixcontact.com/us/products/1415234>

Drawings



Dimensional drawing

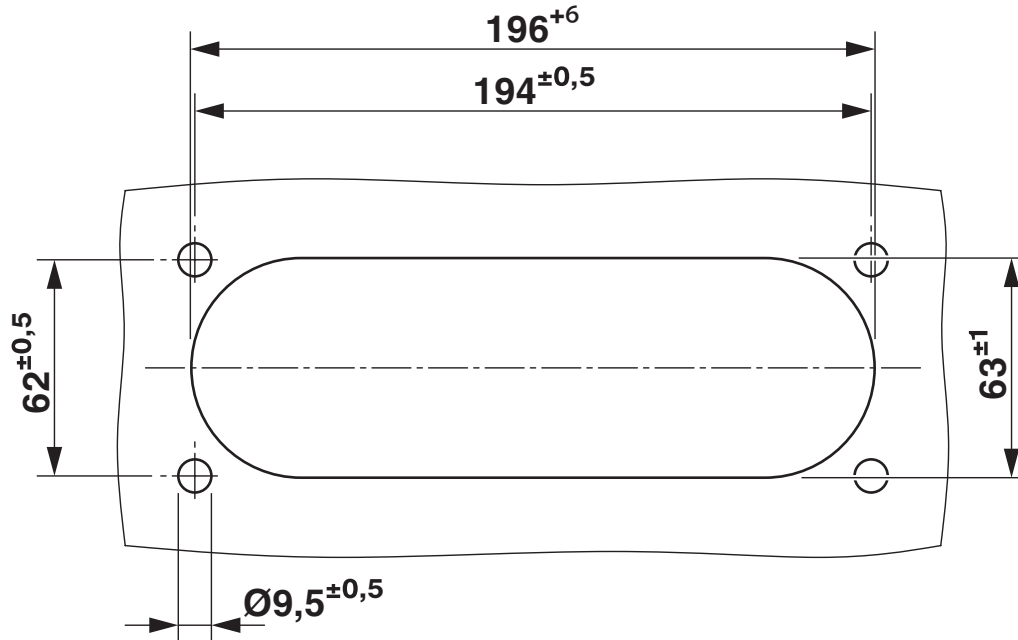
MC-3/7-MULTI-67-PV-LG - Cable feed-through plates



1415234

<https://www.phoenixcontact.com/us/products/1415234>

Dimensional drawing



Wall cutout drawing

MC-3/7-MULTI-67-PV-LG - Cable feed-through plates



1415234

<https://www.phoenixcontact.com/us/products/1415234>

Approvals

To download certificates, visit the product detail page: <https://www.phoenixcontact.com/us/products/1415234>



EAC-RoHS

Approval ID: RU D-DE.HB35.B.00387

MC-3/7-MULTI-67-PV-LG - Cable feed-through plates



1415234

<https://www.phoenixcontact.com/us/products/1415234>

Classifications

ECLASS

ECLASS-13.0	27400569
ECLASS-15.0	27400569

ETIM

ETIM 10.0	EC001004
-----------	----------

UNSPSC

UNSPSC 21.0	31163000
-------------	----------

MC-3/7-MULTI-67-PV-LG - Cable feed-through plates



1415234

<https://www.phoenixcontact.com/us/products/1415234>

Environmental product compliance

EU RoHS

Fulfills EU RoHS substance requirements	Yes, No exemptions
---	--------------------

China RoHS

Environment friendly use period (EFUP)	EFUP-E
	No hazardous substances above the limits

EU REACH SVHC

REACH candidate substance (CAS No.)	No substance above 0.1 wt%
-------------------------------------	----------------------------

EF3.1 Climate Change

CO2e kg	0.907 kg CO2e
---------	---------------

Phoenix Contact 2026 © - all rights reserved
<https://www.phoenixcontact.com>

Phoenix Contact USA
586 Fulling Mill Road
Middletown, PA 17057, United States
(+717) 944-1300
info@phoenixcon.com