

# A-INB-M12-69KN-S-S - Pressure compensation element



1415224

<https://www.phoenixcontact.com/us/products/1415224>

Please be informed that the data shown in this PDF document is generated from our online catalog. Please find the complete data in the user documentation. Our general terms of use for downloads are valid.



Pressure compensation element, material for screw connection: Stainless steel 1.4305, connecting thread: M12 x 1.5, color: silver-colored, with O-ring

## Your advantages

- Reduces the formation of condensation

## Commercial data

Item number	1415224
Packing unit	5 pc
Minimum order quantity	1 pc
Sales key	BF68
Product key	AF7DZX
GTIN	4055626038674
Weight per piece (including packing)	16.142 g
Weight per piece (excluding packing)	15.81 g
Customs tariff number	73269098
Country of origin	RO

# A-INB-M12-69KN-S-S - Pressure compensation element



1415224

<https://www.phoenixcontact.com/us/products/1415224>

## Technical data

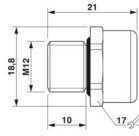
### Product properties

Product type	Pressure compensation element
Air flow rate	16 l/h (at $\Delta$ min. 70 mbar)

### Connection data

Tightening torque	0.5 Nm ... 1 Nm (Flange)
-------------------	--------------------------

### Dimensions

Dimensional drawing	
Length	21 mm
Length of the connecting thread	10 mm
Length without connecting thread	11 mm
Diameter Connecting thread	12 mm
Connecting thread diameter	12 mm
Wrench size, union nut	17 mm
Hexagon angular dimension	18.5 mm
Thread type connection side	M12 x 1.5
Thread pitch	1.5 mm

### Material specifications

Color	Steel/stainless steel color
Material	Acrylic copolymer (Venting filter) Stainless steel 1.4305 (Housing)
Seal material	Perbunan
Material for screw connection	Stainless steel 1.4305

### Environmental and real-life conditions

#### Ambient conditions

Degree of protection	IP66 IP67 IP69
Ambient temperature (operation)	-40 °C ... 105 °C

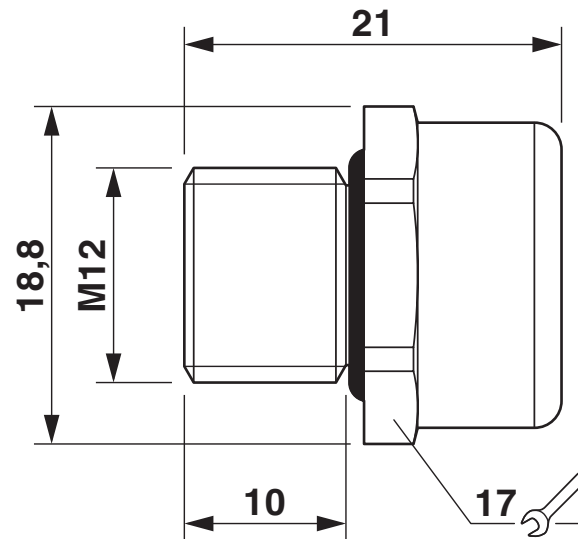
# A-INB-M12-69KN-S-S - Pressure compensation element

1415224

<https://www.phoenixcontact.com/us/products/1415224>

## Drawings

Dimensional drawing



# A-INB-M12-69KN-S-S - Pressure compensation element



1415224

<https://www.phoenixcontact.com/us/products/1415224>

## Classifications

### ECLASS

ECLASS-13.0	27440192
ECLASS-15.0	27440192

### ETIM

ETIM 10.0	EC002943
-----------	----------

### UNSPSC

UNSPSC 21.0	39121400
-------------	----------

# A-INB-M12-69KN-S-S - Pressure compensation element



1415224

<https://www.phoenixcontact.com/us/products/1415224>

## Environmental product compliance

### EU RoHS

Fulfills EU RoHS substance requirements	Yes, No exemptions
---	--------------------

### China RoHS

Environment friendly use period (EFUP)	EFUP-E
	No hazardous substances above the limits

### EU REACH SVHC

REACH candidate substance (CAS No.)	No substance above 0.1 wt%
-------------------------------------	----------------------------

Phoenix Contact 2026 © - all rights reserved  
<https://www.phoenixcontact.com>

Phoenix Contact USA  
586 Fulling Mill Road  
Middletown, PA 17057, United States  
(+717) 944-1300  
[info@phoenixcon.com](mailto:info@phoenixcon.com)