

A-INB-M12-69KN-P-BK - Pressure compensation element



1415223

<https://www.phoenixcontact.com/us/products/1415223>

Please be informed that the data shown in this PDF document is generated from our online catalog. Please find the complete data in the user documentation. Our general terms of use for downloads are valid.



Pressure compensation element, material for screw connection: PA, connecting thread: M12 x 1.5, color: jet black, with O-ring

Your advantages

- Reduces the formation of condensation

Commercial data

| | |
|--------------------------------------|---------------|
| Item number | 1415223 |
| Packing unit | 5 pc |
| Minimum order quantity | 1 pc |
| Sales key | BF68 |
| Product key | AF7DZX |
| GTIN | 4055626038667 |
| Weight per piece (including packing) | 3 g |
| Weight per piece (excluding packing) | 1.98 g |
| Customs tariff number | 39269097 |
| Country of origin | TR |

A-INB-M12-69KN-P-BK - Pressure compensation element



1415223

<https://www.phoenixcontact.com/us/products/1415223>

Technical data

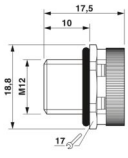
Product properties

| | |
|---------------|-----------------------------------|
| Product type | Pressure compensation element |
| Air flow rate | 16 l/h (at Δ min. 70 mbar) |

Connection data

| | |
|-------------------|--------------------------|
| Tightening torque | 0.5 Nm ... 1 Nm (Flange) |
|-------------------|--------------------------|

Dimensions

| | |
|----------------------------------|--|
| Dimensional drawing |  |
| Length | 17.5 mm |
| Length of the connecting thread | 10 mm |
| Length without connecting thread | 7.5 mm |
| Diameter | 12 mm |
| Connecting thread diameter | 12 mm |
| Wrench size, union nut | 17 mm |
| Hexagon angular dimension | 18.5 mm |
| Thread type connection side | M12 x 1.5 |
| Thread pitch | 1.5 mm |

Material specifications

| | |
|-------------------------------|---|
| Color | black (RAL 9005) |
| Material | Acrylic copolymer (Venting filter) Polyamide (Housing) |
| Seal material | Perbunan |
| Material for screw connection | PA |

Environmental and real-life conditions

Ambient conditions

| | |
|---------------------------------|----------------------|
| Degree of protection | IP66 IP67 IP69 |
| Ambient temperature (operation) | -40 °C ... 105 °C |

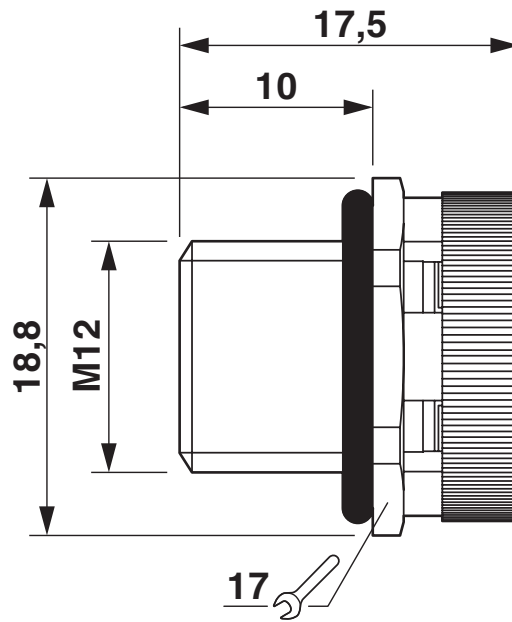
A-INB-M12-69KN-P-BK - Pressure compensation element

1415223

<https://www.phoenixcontact.com/us/products/1415223>

Drawings

Dimensional drawing



A-INB-M12-69KN-P-BK - Pressure compensation element



1415223

<https://www.phoenixcontact.com/us/products/1415223>

Classifications

ECLASS

| | |
|-------------|----------|
| ECLASS-13.0 | 27440192 |
| ECLASS-15.0 | 27440192 |

ETIM

| | |
|-----------|----------|
| ETIM 10.0 | EC002943 |
|-----------|----------|

UNSPSC

| | |
|-------------|----------|
| UNSPSC 21.0 | 39121400 |
|-------------|----------|

A-INB-M12-69KN-P-BK - Pressure compensation element



1415223

<https://www.phoenixcontact.com/us/products/1415223>

Environmental product compliance

EU RoHS

| | |
|---|--------------------|
| Fulfills EU RoHS substance requirements | Yes, No exemptions |
|---|--------------------|

China RoHS

| | |
|--|--|
| Environment friendly use period (EFUP) | EFUP-E |
| | No hazardous substances above the limits |

EU REACH SVHC

| | |
|-------------------------------------|----------------------------|
| REACH candidate substance (CAS No.) | No substance above 0.1 wt% |
|-------------------------------------|----------------------------|

Phoenix Contact 2026 © - all rights reserved
<https://www.phoenixcontact.com>

Phoenix Contact USA
586 Fulling Mill Road
Middletown, PA 17057, United States
(+717) 944-1300
info@phoenixcon.com