

A-INB-M12-69KN-P-LG - Pressure compensation element



1415222

<https://www.phoenixcontact.com/us/products/1415222>

Please be informed that the data shown in this PDF document is generated from our online catalog. Please find the complete data in the user documentation. Our general terms of use for downloads are valid.



Pressure compensation element, material for screw connection: PA, connecting thread: M12 x 1.5, color: light gray, with O-ring

Your advantages

- Reduces the formation of condensation

Commercial data

Item number	1415222
Packing unit	5 pc
Minimum order quantity	5 pc
Sales key	BF68
Product key	AF7DZX
GTIN	4055626038650
Weight per piece (including packing)	2.992 g
Weight per piece (excluding packing)	2.096 g
Customs tariff number	39269097
Country of origin	TR

A-INB-M12-69KN-P-LG - Pressure compensation element



1415222

<https://www.phoenixcontact.com/us/products/1415222>

Technical data

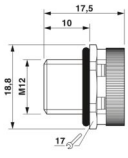
Product properties

Product type	Pressure compensation element
Air flow rate	16 l/h (at Δ min. 70 mbar)

Connection data

Tightening torque	0.5 Nm ... 1 Nm (Flange)
-------------------	--------------------------

Dimensions

Dimensional drawing	
Length	17.5 mm
Length of the connecting thread	10 mm
Length without connecting thread	7.5 mm
Diameter	12 mm
Connecting thread diameter	12 mm
Wrench size, union nut	17 mm
Hexagon angular dimension	18.5 mm
Thread type connection side	M12 x 1.5
Thread pitch	1.5 mm

Material specifications

Color	light gray (RAL 7035)
Material	Acrylic copolymer (Venting filter) Polyamide (Housing)
Seal material	Perbunan
Material for screw connection	PA

Environmental and real-life conditions

Ambient conditions

Degree of protection	IP66 IP68 IP69
Ambient temperature (operation)	-40 °C ... 105 °C

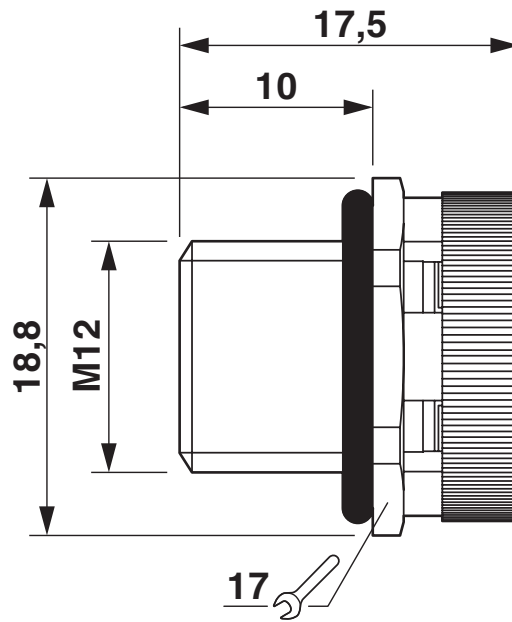
A-INB-M12-69KN-P-LG - Pressure compensation element

1415222

<https://www.phoenixcontact.com/us/products/1415222>

Drawings

Dimensional drawing



A-INB-M12-69KN-P-LG - Pressure compensation element



1415222

<https://www.phoenixcontact.com/us/products/1415222>

Classifications

ECLASS

ECLASS-13.0	27440192
ECLASS-15.0	27440192

ETIM

ETIM 10.0	EC002943
-----------	----------

UNSPSC

UNSPSC 21.0	39121400
-------------	----------

A-INB-M12-69KN-P-LG - Pressure compensation element



1415222

<https://www.phoenixcontact.com/us/products/1415222>

Environmental product compliance

EU RoHS

Fulfills EU RoHS substance requirements	Yes, No exemptions
---	--------------------

China RoHS

Environment friendly use period (EFUP)	EFUP-E
	No hazardous substances above the limits

EU REACH SVHC

REACH candidate substance (CAS No.)	No substance above 0.1 wt%
-------------------------------------	----------------------------

EF3.1 Climate Change

CO2e kg	0.674 kg CO2e
---------	---------------

Phoenix Contact 2026 © - all rights reserved
<https://www.phoenixcontact.com>

Phoenix Contact USA
586 Fulling Mill Road
Middletown, PA 17057, United States
(+717) 944-1300
info@phoenixcon.com