

A-INSP-M32-65N-P-BK - Screw plug



1415208

<https://www.phoenixcontact.com/us/products/1415208>

Please be informed that the data shown in this PDF document is generated from our online catalog. Please find the complete data in the user documentation. Our general terms of use for downloads are valid.

Screw plug, material for screw connection: PA, connecting thread: M32 x 1.5, color: jet black RAL 9005, with O-ring



Commercial data

Item number	1415208
Packing unit	10 pc
Minimum order quantity	10 pc
Sales key	BF68
Product key	AF7DZX
GTIN	4055626038537
Weight per piece (including packing)	7.92 g
Weight per piece (excluding packing)	7.92 g
Customs tariff number	39269097
Country of origin	DE

A-INSP-M32-65N-P-BK - Screw plug

1415208

<https://www.phoenixcontact.com/us/products/1415208>

Technical data

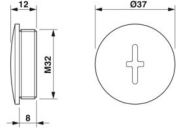
Product properties

Product type	Plug for cable screw gland
Manufacturer	WISKA
Manufacturer Designation	EVSG-ORD 32

Connection data

Tightening torque	2 Nm
-------------------	------

Dimensions

Dimensional drawing	
Length	12 mm
Length of the connecting thread	8 mm
Diameter Connecting thread	32 mm
Connecting thread diameter	32 mm
Hexagon angular dimension	Diameter
Thread type connection side	M32 x 1.5
Thread pitch	1.5 mm

Material specifications

Material	PA
Seal material O-ring	EPDM
Material for screw connection	PA

Cable/line

Halogen-free	yes
--------------	-----

Environmental and real-life conditions

Ambient conditions

Degree of protection	IP68 IP66
Ambient temperature (operation)	-40 °C ... 100 °C

A-INSP-M32-65N-P-BK - Screw plug

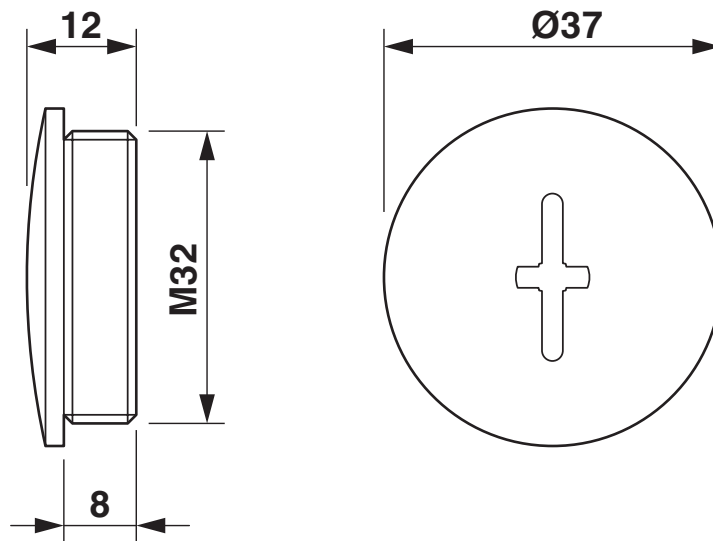
1415208

<https://www.phoenixcontact.com/us/products/1415208>



Drawings

Dimensional drawing



A-INSP-M32-65N-P-BK - Screw plug



1415208

<https://www.phoenixcontact.com/us/products/1415208>

Classifications

ECLASS

ECLASS-13.0	23111190
ECLASS-15.0	27140805

ETIM

ETIM 10.0	EC000032
-----------	----------

UNSPSC

UNSPSC 21.0	31261500
-------------	----------

A-INSP-M32-65N-P-BK - Screw plug



1415208

<https://www.phoenixcontact.com/us/products/1415208>

Environmental product compliance

EU RoHS

Fulfills EU RoHS substance requirements	Yes, No exemptions
---	--------------------

China RoHS

Environment friendly use period (EFUP)	EFUP-E
	No hazardous substances above the limits

EU REACH SVHC

REACH candidate substance (CAS No.)	No substance above 0.1 wt%
-------------------------------------	----------------------------

Phoenix Contact 2026 © - all rights reserved
<https://www.phoenixcontact.com>

Phoenix Contact USA
586 Fulling Mill Road
Middletown, PA 17057, United States
(+717) 944-1300
info@phoenixcon.com